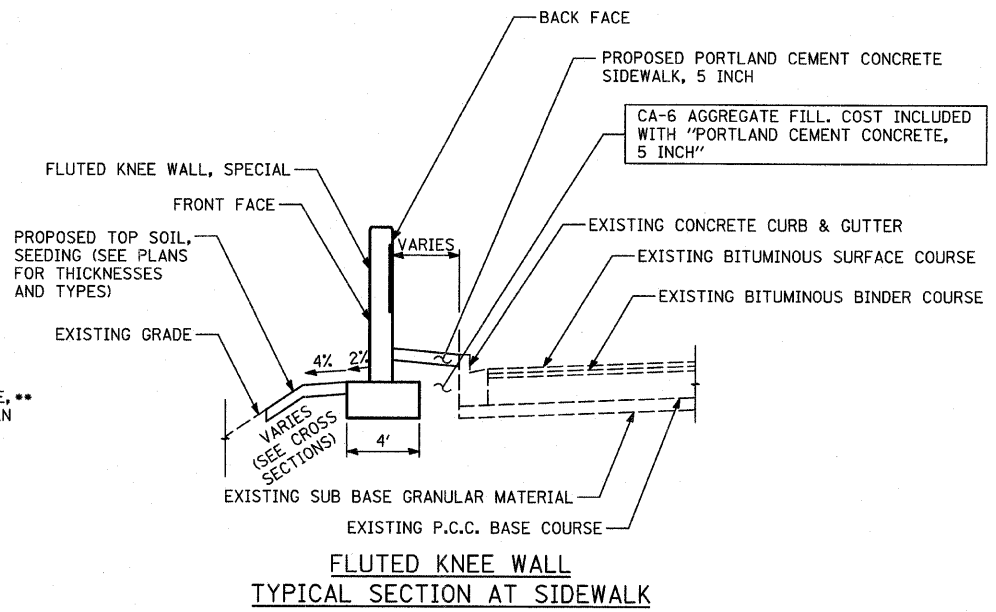
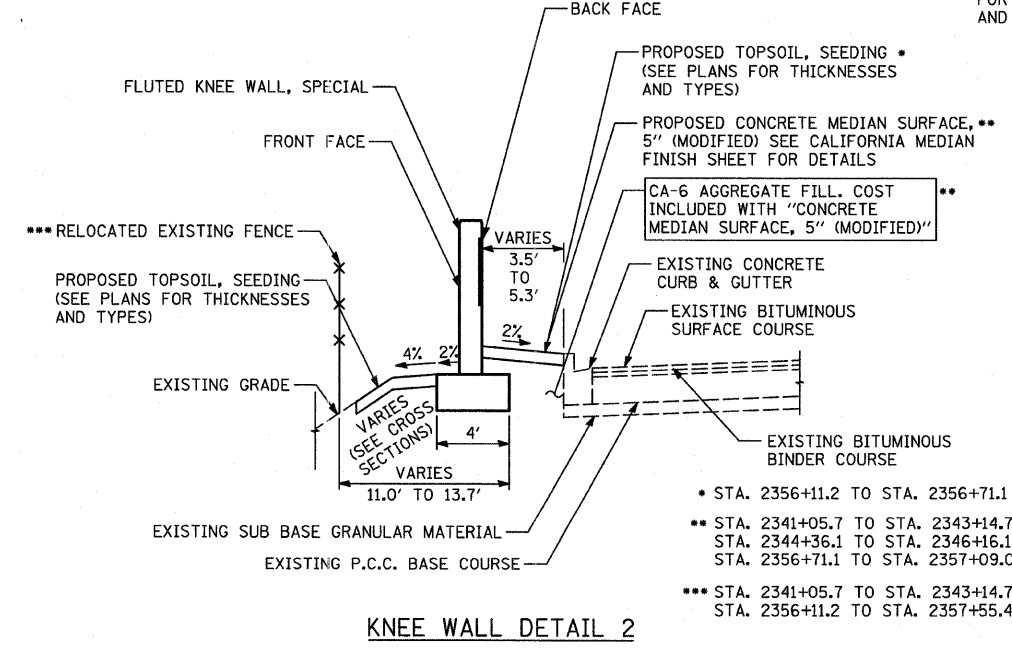
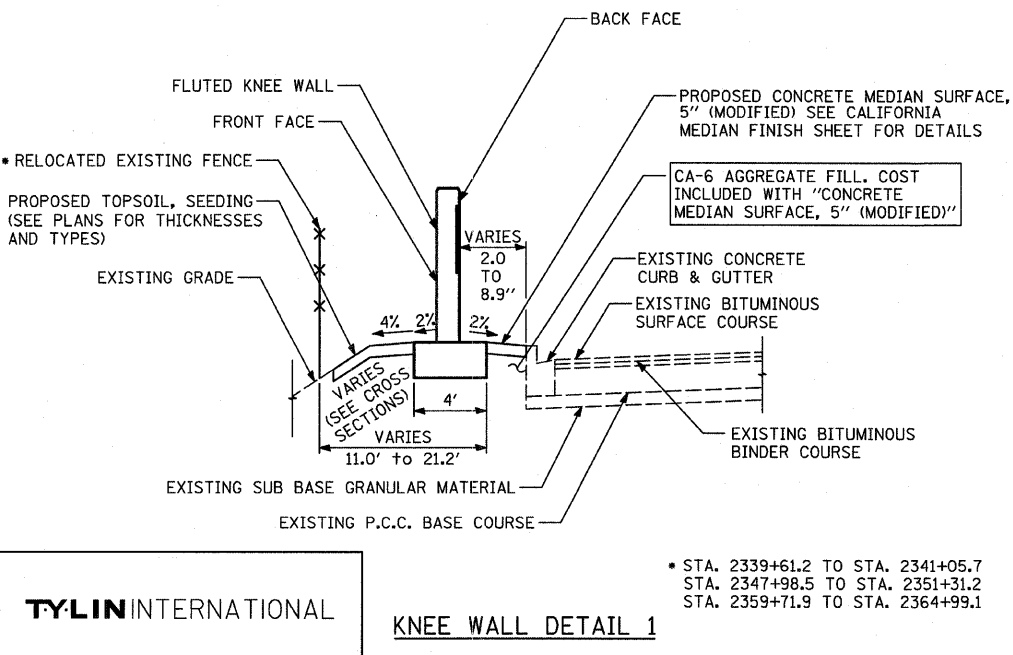
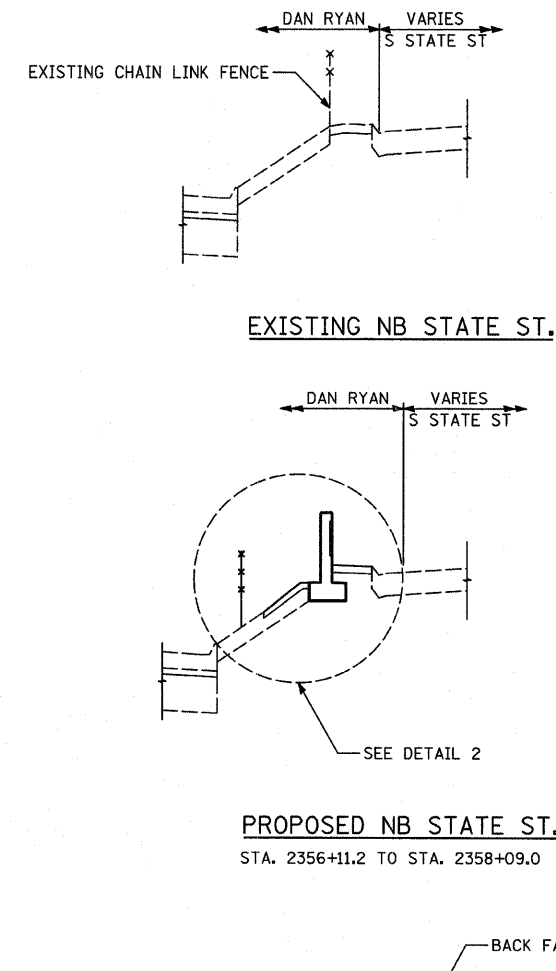
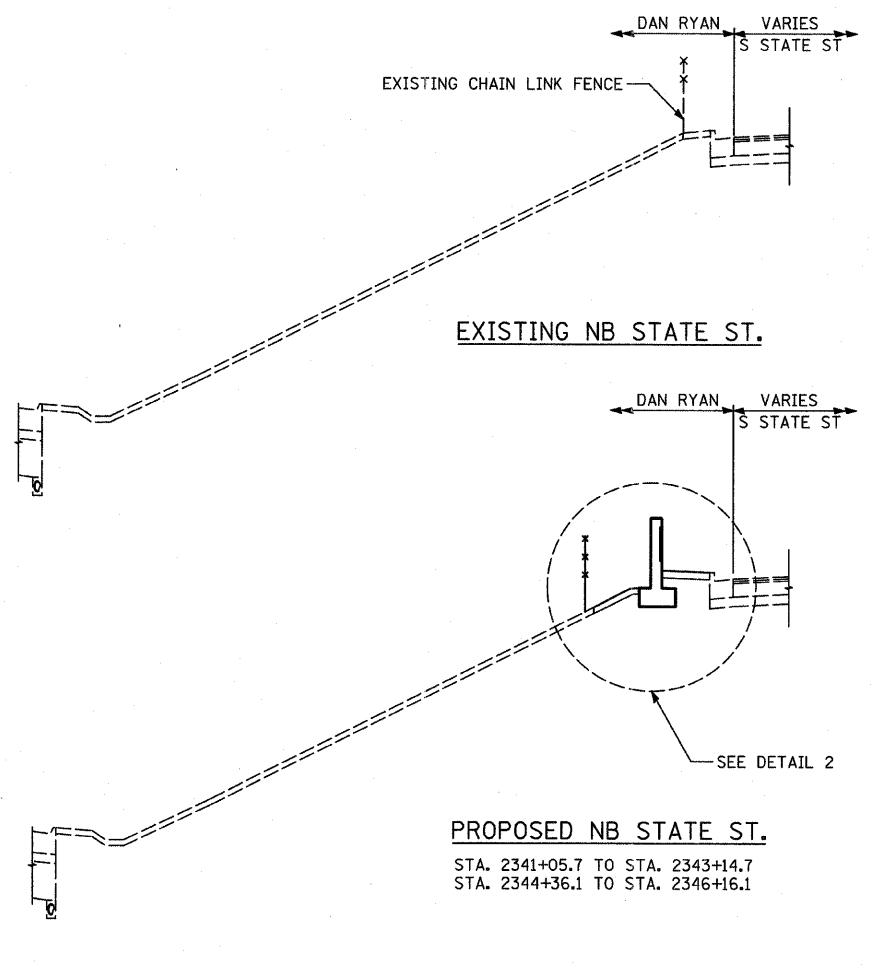
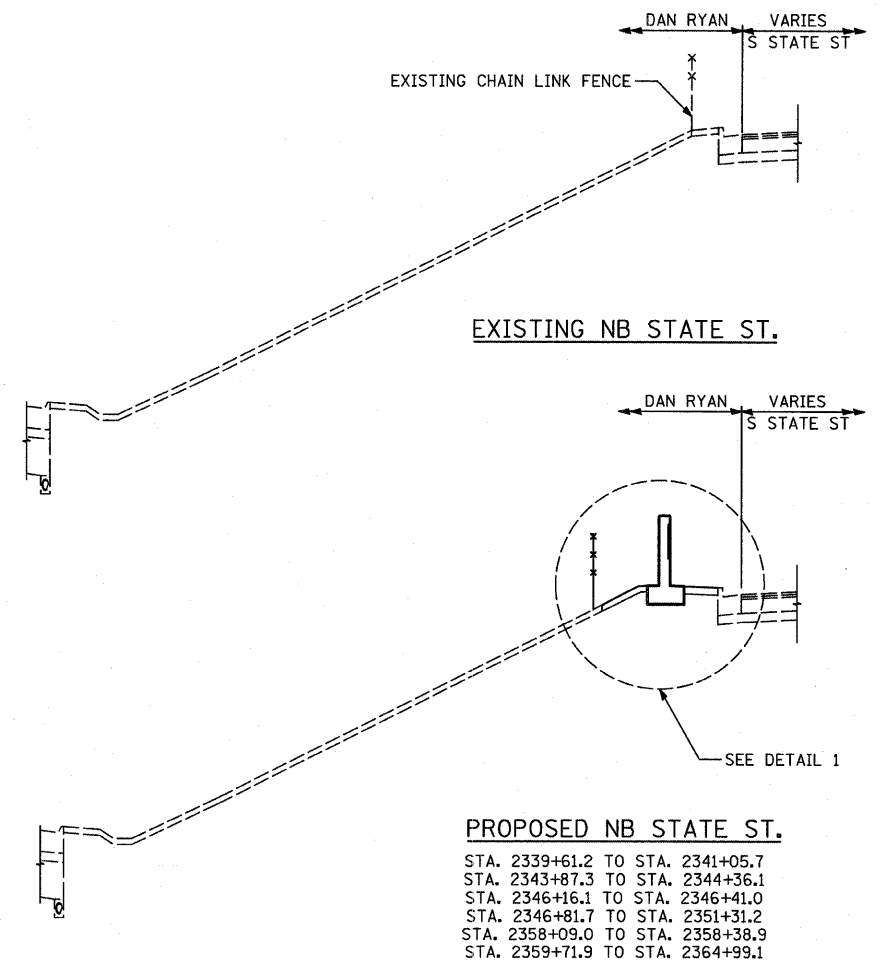


F.A.I. RTE.	SECTION	COUNTY	TOTAL SHEETS	SHEET NO.
94	1818 I-7	COOK	58	4
STA. 2339+42.81		TO STA. 2364+99.12		
FED. ROAD DIST. NO.	ILLINOIS FED. AID PROJECT		62975	



REVISIONS	
NAME	DATE

ILLINOIS DEPARTMENT OF TRANSPORTATION
 F.A.I. 94 (DAN RYAN EXPRESSWAY)
 EXISTING AND PROPOSED TYPICAL SECTIONS
 NB STATE ST.
 SHEET 1 OF 2

SCALE: NONE
 DATE: FEBRUARY 13, 2009

DRAWN BY: TB
 CHECKED BY: TGB, MI

TYLIN INTERNATIONAL

3/19/2009 2:42 PM