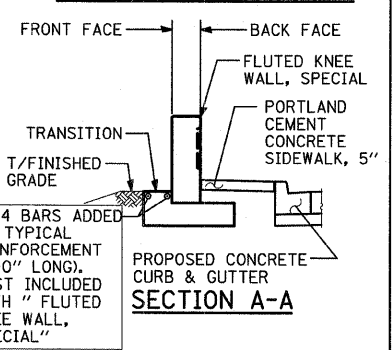
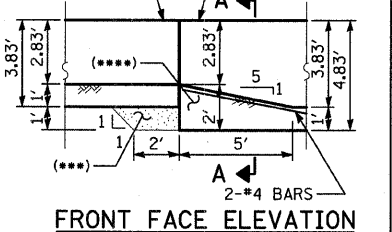
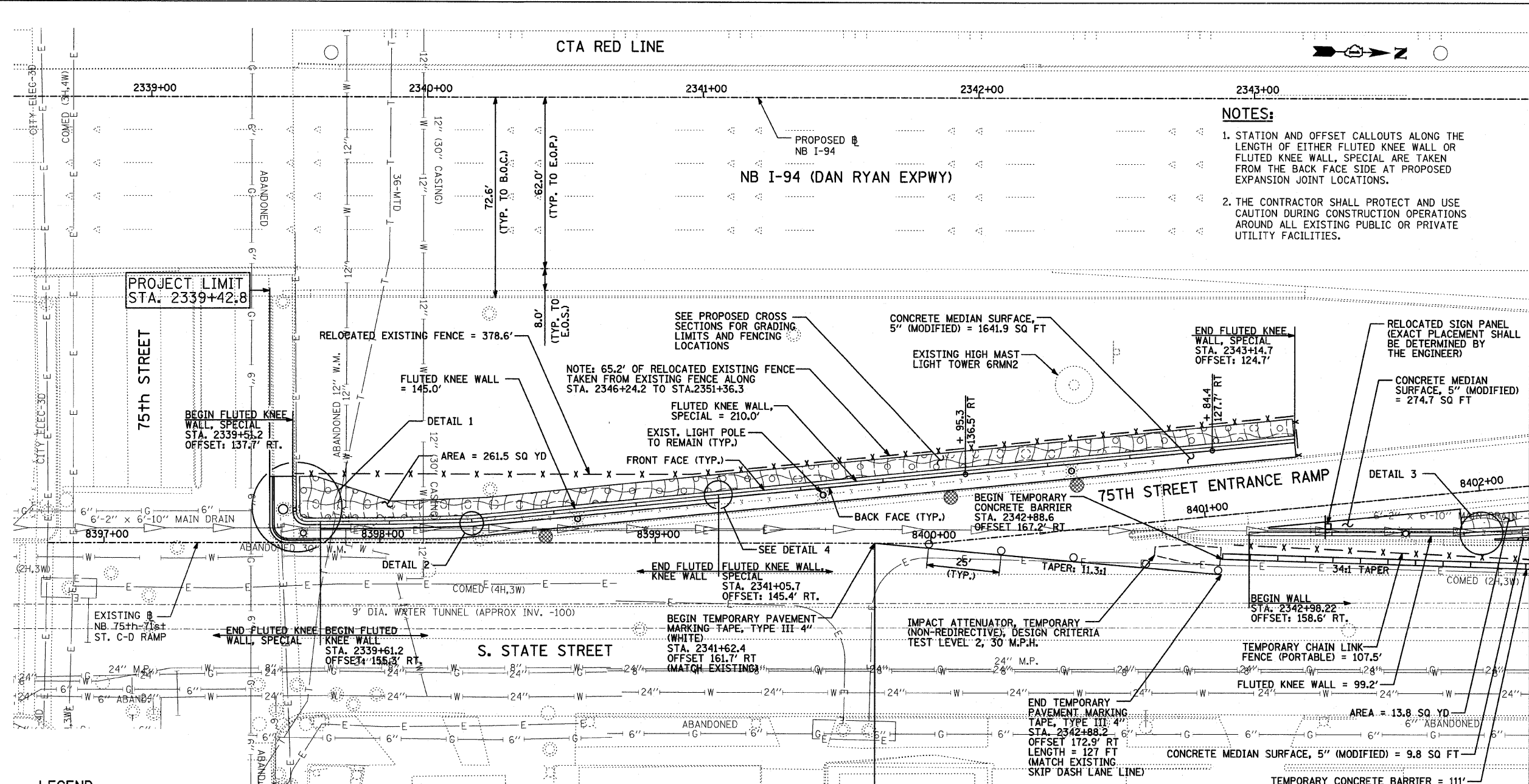
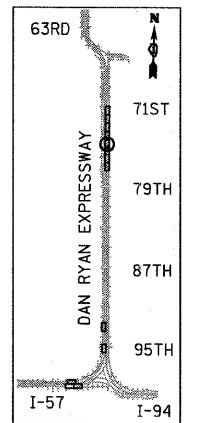


F.A.I. RTE.	SECTION	COUNTY	TOTAL SHEETS	SHEET NO.
94	1818 I-7	COOK	58	18
STA. 2339+42.81		TO STA. 2364+99.12		
FED. ROAD DIST. NO.		ILLINOIS FED. AID PROJECT		

62975
MATCHLINE NB STA. 2344+00.00



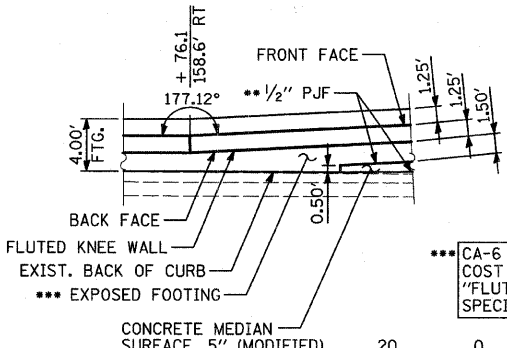
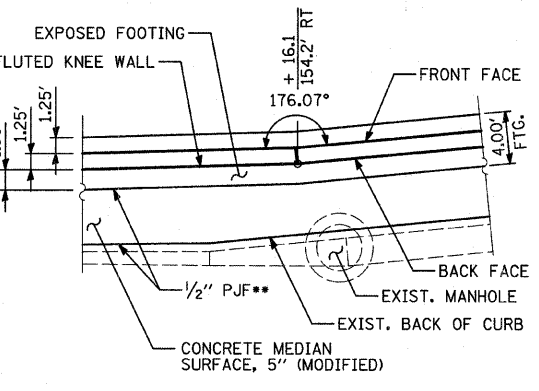
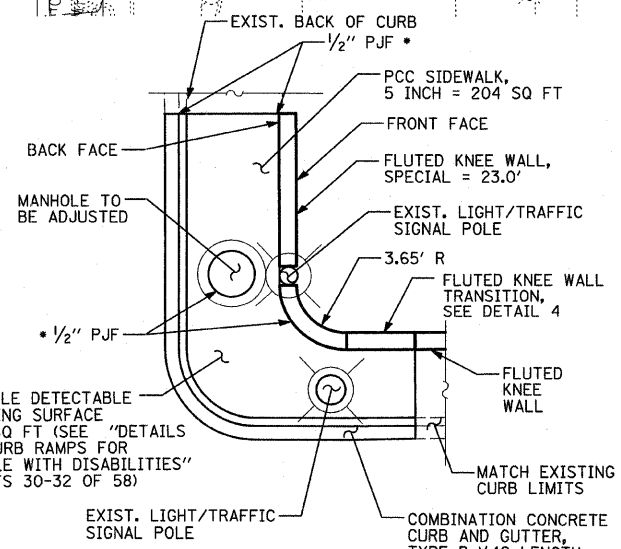
FOOTING TRANSITION-DETAIL 4
(FROM FLUTED KNEE WALL, SPECIAL TO FLUTED KNEE WALL)



NOTES:

- STATION AND OFFSET CALLOUTS ALONG THE LENGTH OF EITHER FLUTED KNEE WALL OR FLUTED KNEE WALL, SPECIAL ARE TAKEN FROM THE BACK FACE SIDE AT PROPOSED EXPANSION JOINT LOCATIONS.
- THE CONTRACTOR SHALL PROTECT AND USE CAUTION DURING CONSTRUCTION OPERATIONS AROUND ALL EXISTING PUBLIC OR PRIVATE UTILITY FACILITIES.

- LEGEND:**
- EROSION CONTROL BLANKET, SEEDING, CLASS 2A, NITROGEN, PHOSPHORUS, AND POTASSIUM FERTILIZER NUTRIENTS, TOPSOIL FURNISH AND PLACE, 4"
 - EROSION CONTROL BLANKET, SEEDING, CLASS 2A, NITROGEN, PHOSPHORUS, AND POTASSIUM FERTILIZER NUTRIENTS, TOPSOIL FURNISH AND PLACE, 12" COMPOST FURNISH AND PLACE, 6"
 - EROSION CONTROL BLANKET, SEEDING, CLASS 4 (MODIFIED), SEEDING, CLASS 5A (MODIFIED), TOPSOIL FURNISH AND PLACE, 12" COMPOST FURNISH AND PLACE, 6"
 - INLET FILTER



***CA-6 AGGREGATE FILL. COST INCLUDED WITH "FLUTED KNEE WALL, SPECIAL"

REVISIONS	
NAME	DATE

ILLINOIS DEPARTMENT OF TRANSPORTATION
F.A.I. 94 (DAN RYAN EXPRESSWAY)

PROPOSED PLAN
NB I-94 (DAN RYAN EXPRESSWAY)
STA. 2338+50.00 TO 2344+00.00

SCALE: 1"=20'
DATE: FEBRUARY 13, 2009

DRAWN BY: AMB, MAF, TB
CHECKED BY: TGB, MI

TYLIN INTERNATIONAL

COST INCLUDED WITH "PCC SIDEWALK, 5 INCH"

COST INCLUDED WITH "CONCRETE MEDIAN SURFACE, 5" (MODIFIED)"

