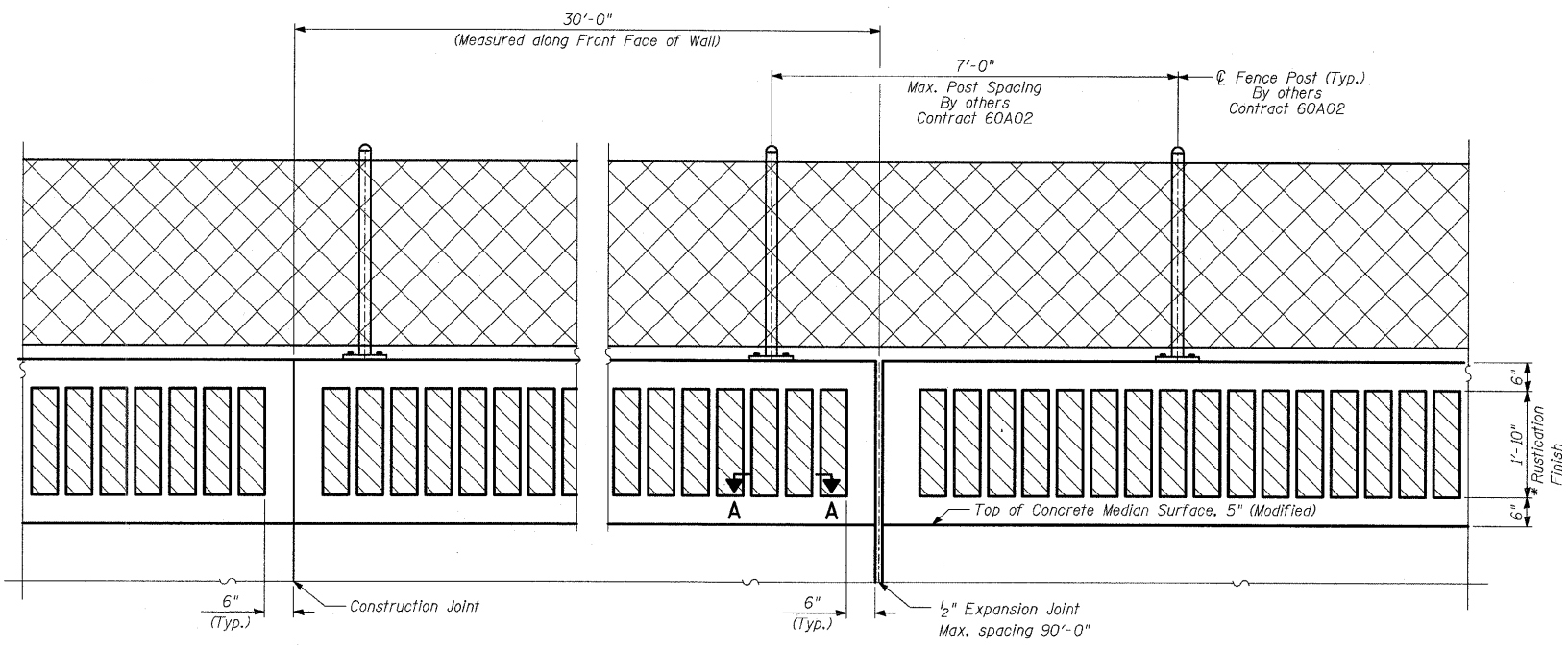
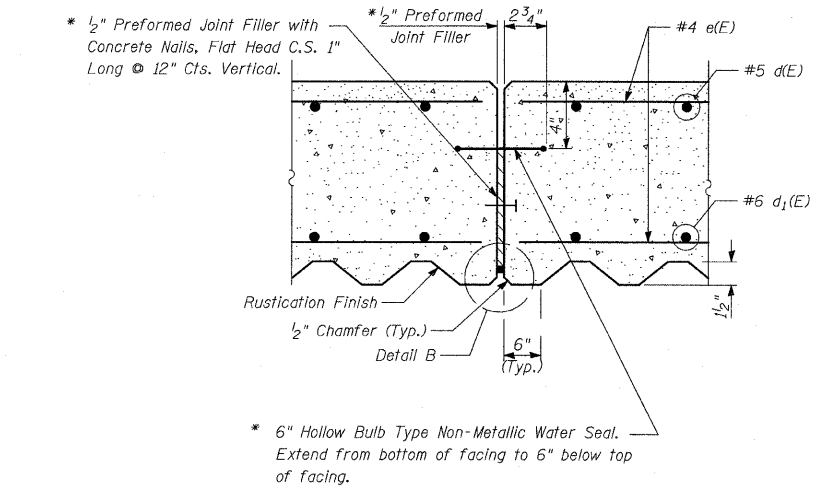


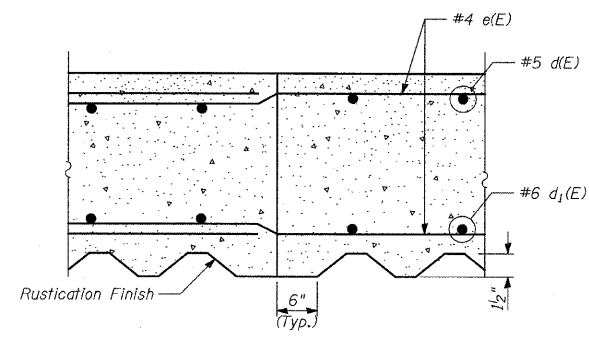
F.A.I. RTE.	SECTION	COUNTY	TOTAL SHEETS	SHEET NO.
94	*	COOK	44	28
STA. 1216+84.45		TO STA. 1248+12.50		
FED. ROAD DIST. NO.		ILLINOIS	FED. AID PROJECT	
*(1516.1 & 1717 I-10)		62978		



BACK FACE ELEVATION - FLUTED KNEE WALL, SPECIAL AND CHAIN LINK FENCE



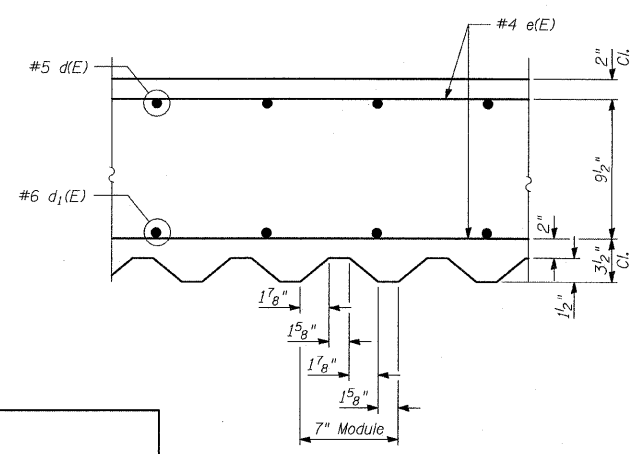
EXPANSION JOINT DETAILS



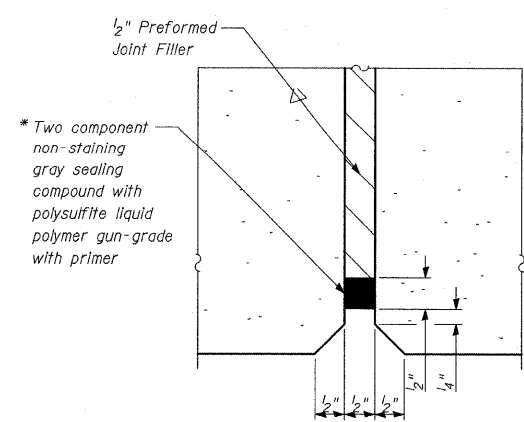
CONSTRUCTION JOINT DETAILS

LAP SPLICES

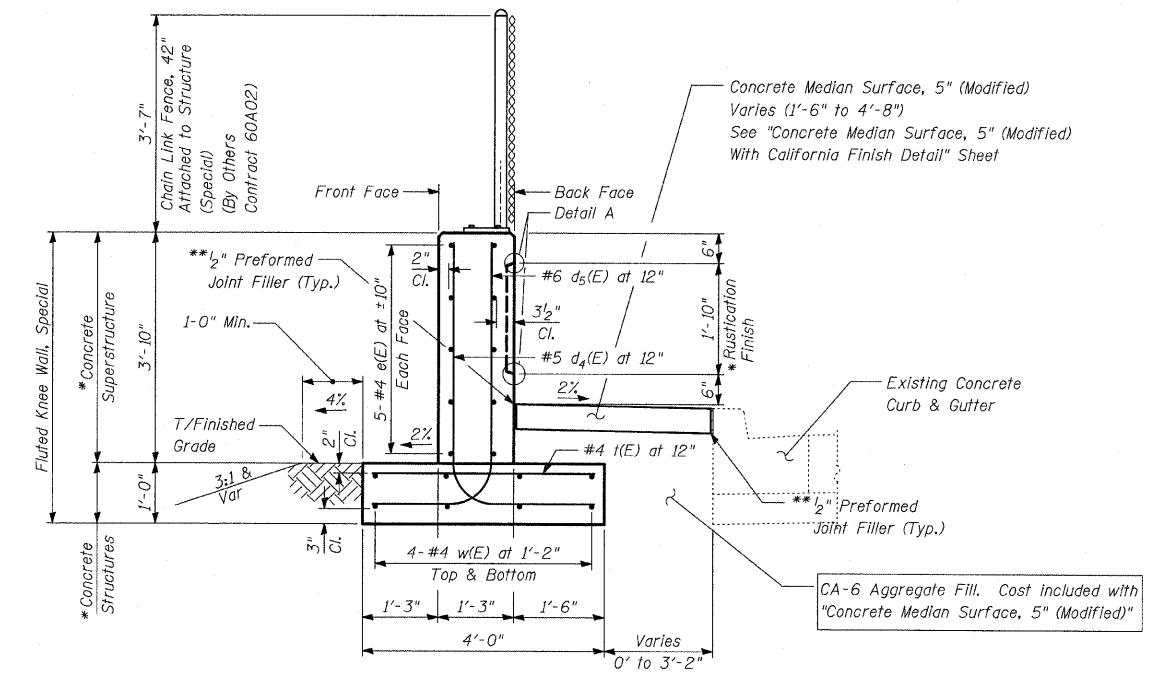
Bar	Lap
#4	1'-8"
#5	2'-2"
#6	2'-7"



SECTION A-A

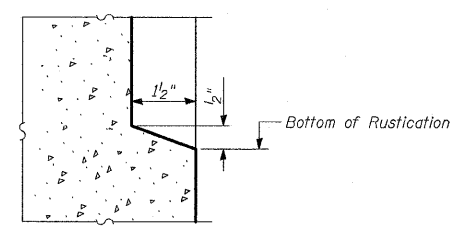
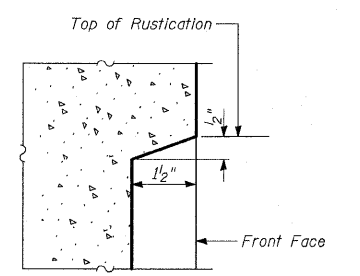


DETAIL B



TYPICAL SECTION FLUTED KNEE WALL, SPECIAL

Sta. 1216+88.41 to Sta. 1217+81.97
 Sta. 1235+15.56 to Sta. 1235+45.54
 Sta. 1247+83.55 to Sta. 1248+02.43



DETAIL A

BILL OF MATERIAL

QUANTITIES PER FOOT OF FLUTED KNEE WALL, SPECIAL

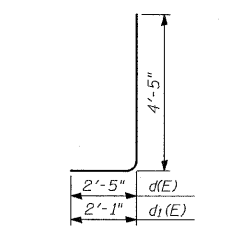
ITEM	UNIT	TOTAL
Concrete Structures	CU YD	0.15
Concrete Superstructure	CU YD	0.18
Protective Coat	SQ YD	1.01
Rustication Finish	SQ FT	1.84
Reinforcement Bars, Epoxy Coated	POUND	31.8

NOTES:

1. For notes, see "Fluted Knee Wall Standard Details" sheet.

* Cost included with "Fluted Knee Wall, Special."

** Cost included with "Concrete Median Surface, 5" (Modified)"



BARS d4(E) & d5(E)

REVISIONS

NAME	DATE

ILLINOIS DEPARTMENT OF TRANSPORTATION
 F.A.I. 94 (DAN RYAN EXPRESSWAY)
 FLUTED KNEE WALL, SPECIAL
 ALONG LAFAYETTE AVE.
 S. OF 93RD ST. TO S. OF 88TH ST.
 FLUTED KNEE WALL, SPECIAL STANDARD DETAILS
 S.N. DESIGNED BY: MAF
 SCALE: N.T.S. DRAWN BY: MAF, TB
 DATE: JANUARY 16, 2009 CHECKED BY: MI

TYLIN INTERNATIONAL

11/15/2009 11:41:20 AM