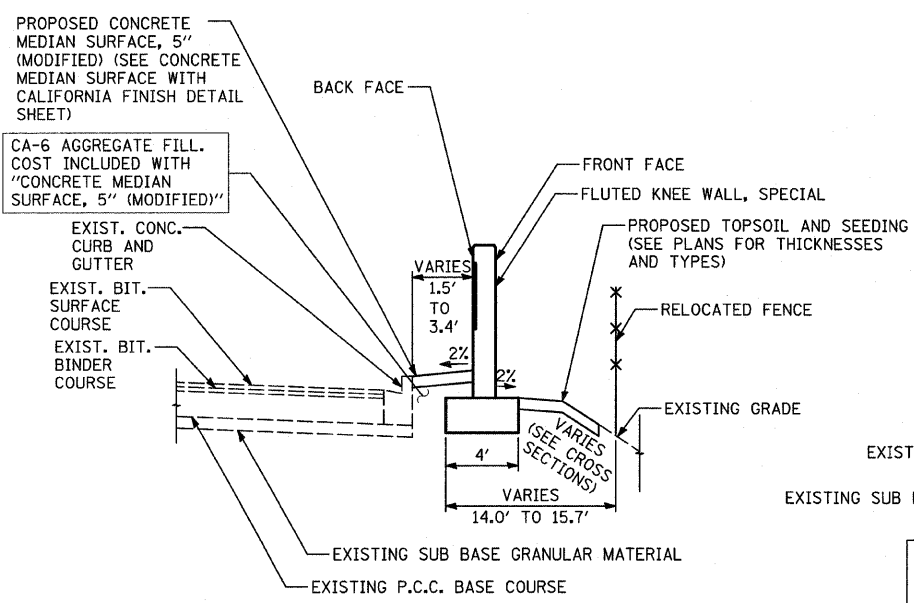
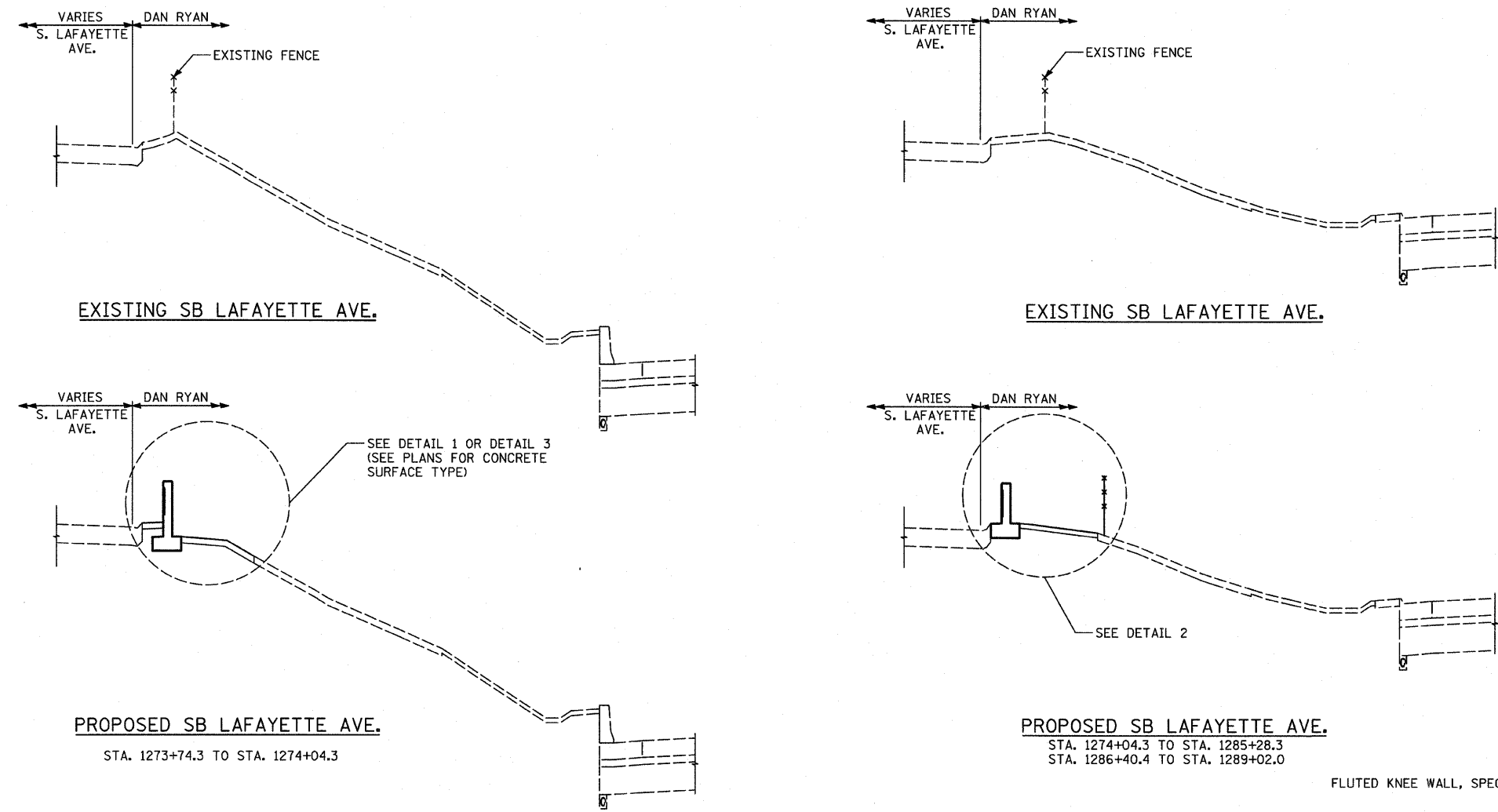
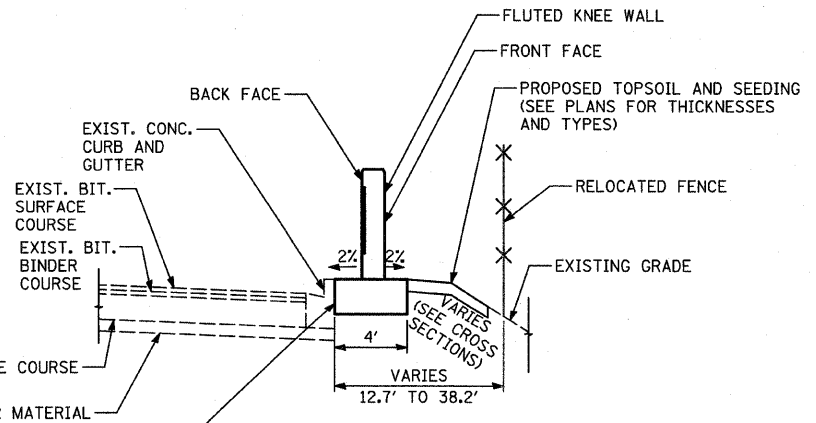


F.A.I. RTE.	SECTION	COUNTY	TOTAL SHEETS	SHEET NO.
94	1717 I-9	COOK	48	5
STA. 1273+74.31		TO STA. 1289+11.91		
FED. ROAD DIST. NO.		ILLINOIS FED. AID PROJECT		

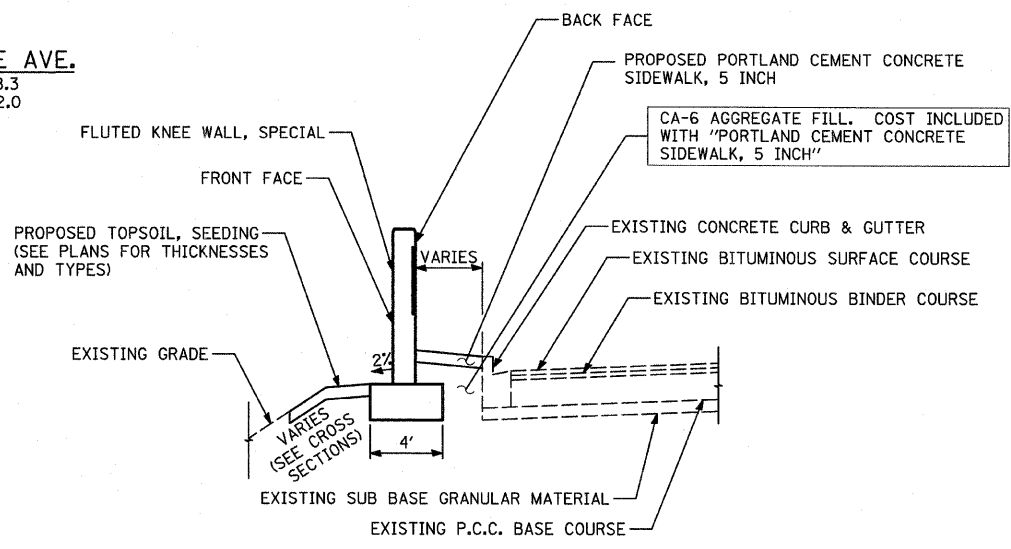
62980



KNEE WALL DETAIL 1



KNEE WALL DETAIL 2



FLUTED KNEE WALL TYPICAL SECTION AT SIDEWALK

1/2" PERFORMED JOINT FILLER (INCLUDED IN THE COST OF FLUTED KNEE WALL)

TYLIN INTERNATIONAL

REVISIONS	
NAME	DATE

ILLINOIS DEPARTMENT OF TRANSPORTATION  
 F.A.I. 94 (DAN RYAN EXPRESSWAY)  
 EXISTING AND PROPOSED TYPICAL SECTIONS  
 SB LAFAYETTE AVE.  
 SCALE: NONE  
 DATE: OCTOBER 17, 2008  
 DRAWN BY: JDF  
 CHECKED BY: JPM

10/16/2008 4:38:40 PM