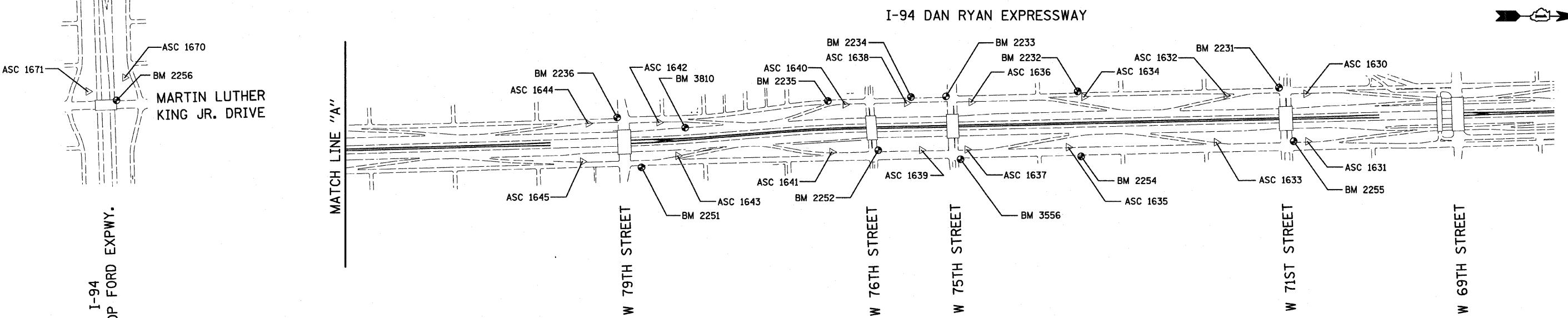
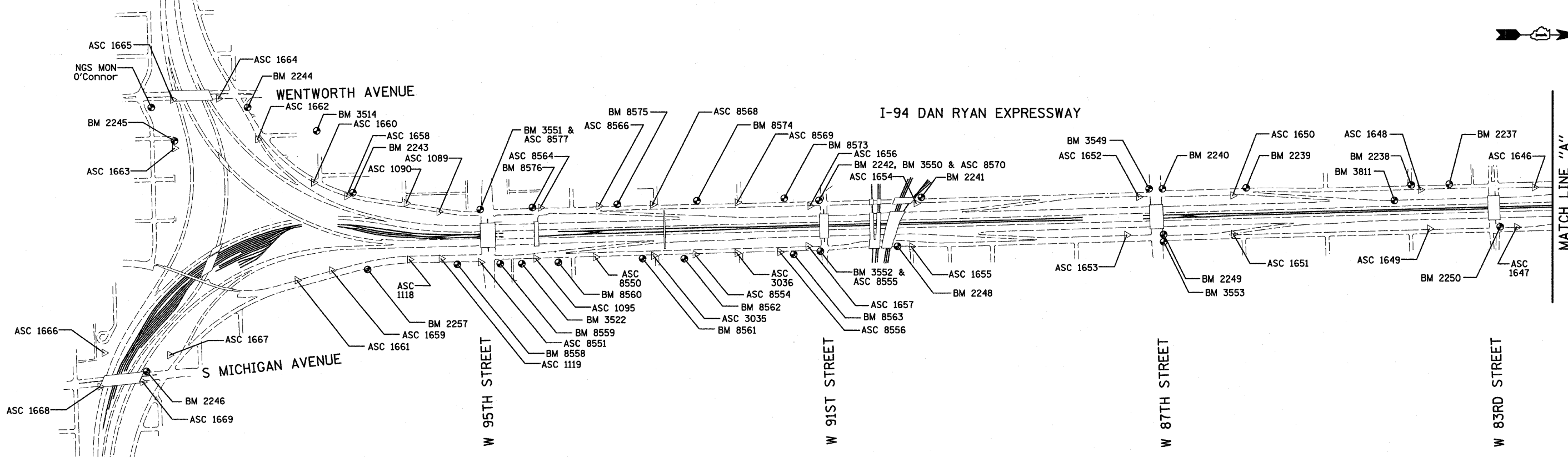


F.A.I. RTE.	SECTION	COUNTY	TOTAL SHEETS	SHEET NO.
94	1717 I-9	COOK	48	10
STA. 1273+74.31		TO STA. 1289+11.91		
FED. ROAD DIST. NO.		ILLINOIS FED. AID PROJECT		

62980

I-57
EXPWY
SEE SHEET 2 OF 7
MATCH LINE "B"



American Surveying Consultants, P.C.
1837 Plank Rd., Chicago, IL 60611 6030 N. Northwest Highway, Chicago, IL 60631
312-426-2211 312-426-2212

REVISIONS	
NAME	DATE

ILLINOIS DEPARTMENT OF TRANSPORTATION
F.A.I. 94 (DAN RYAN EXPRESSWAY)
SURVEY TIES FOR CONTROL POINTS
SHEET 1 OF 7
SCALE: 1"=400'
DATE: OCTOBER 17, 2008
DRAWN BY: GSP
CHECKED BY: MMW

10/16/2008 4:38:22 PM P:\0227\3V\road\2269\12646105.tbl.dgn