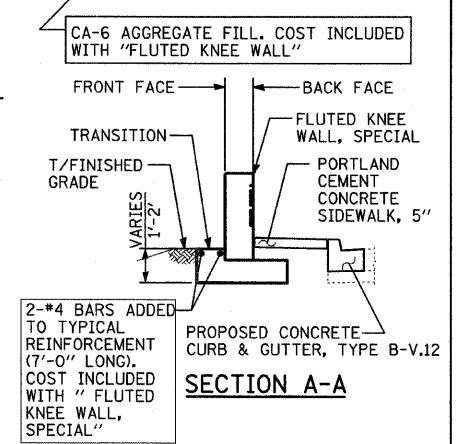
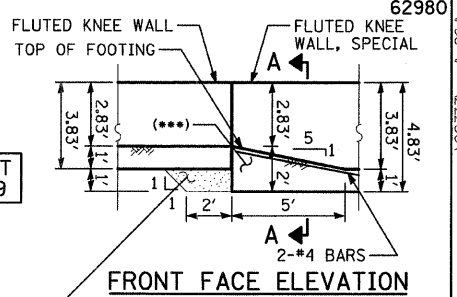
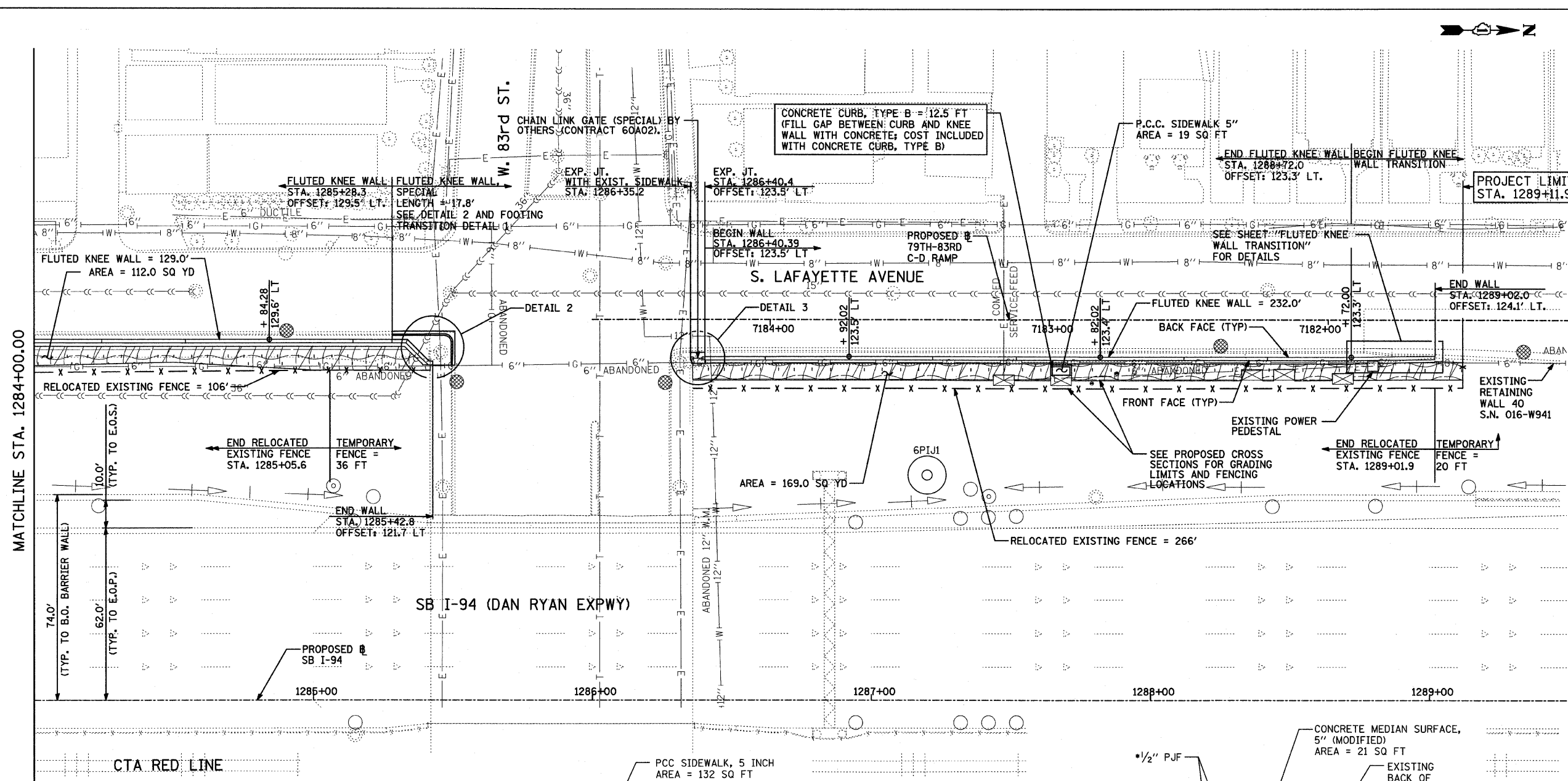
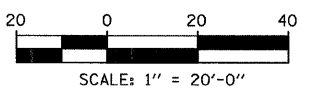
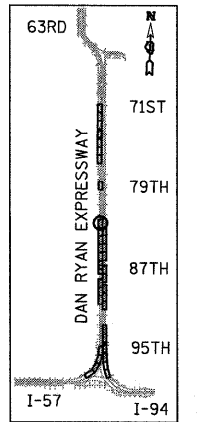


|                     |          |                    |              |           |
|---------------------|----------|--------------------|--------------|-----------|
| F.A.I. RTE.         | SECTION  | COUNTY             | TOTAL SHEETS | SHEET NO. |
| 94                  | 1717 1-9 | COOK               | 48           | 22        |
| STA. 1273+74.31     |          | TO STA. 1289+11.91 |              |           |
| FED. ROAD DIST. NO. | ILLINOIS | FED. AID PROJECT   |              |           |



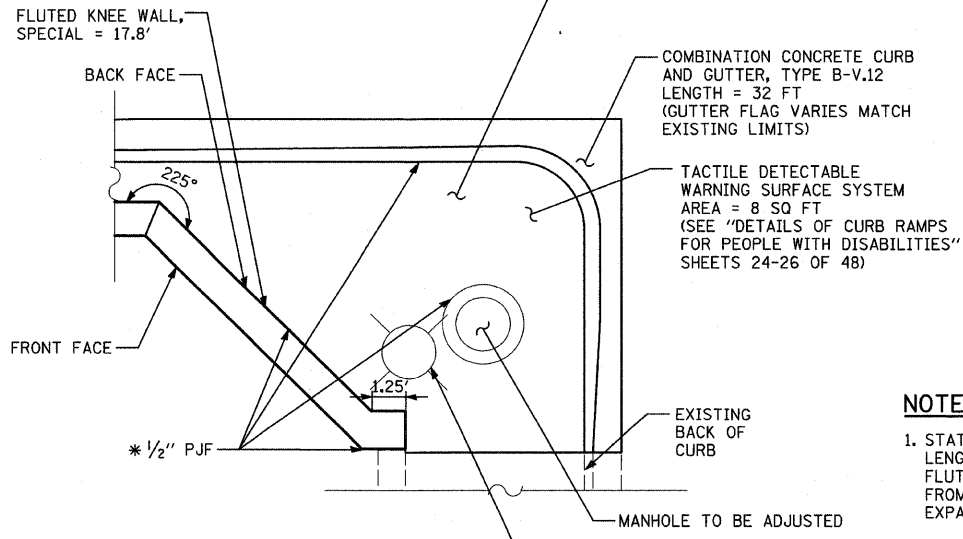
**FOOTING TRANSITION-DETAIL 1**  
(FROM FLUTED KNEE WALL TO FLUTED KNEE WALL, SPECIAL)

\*\*\*ADDITIONAL CONCRETE AT FOOTING TRANSITION. COST INCLUDED WITH "FLUTED KNEE WALL, SPECIAL"

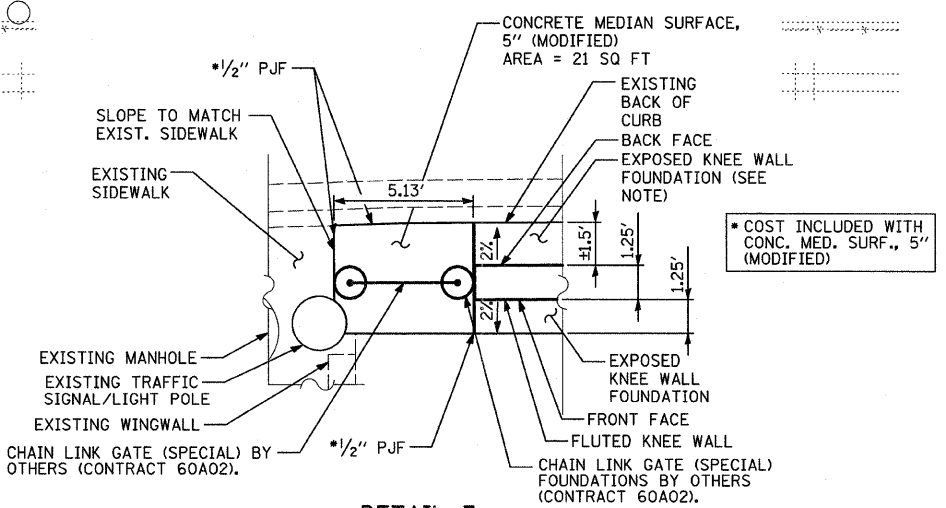


MATCHLINE STA. 1284+00.00

- LEGEND:**
- EROSION CONTROL BLANKET, SEEDING, CLASS 2A, NITROGEN, PHOSPHORUS, AND POTASSIUM FERTILIZER NUTRIENTS, TOPSOIL FURNISH AND PLACE, 12" COMPOST FURNISH AND PLACE, 6"
  - EROSION CONTROL BLANKET, SEEDING, CLASS 2A, NITROGEN, PHOSPHORUS, AND POTASSIUM FERTILIZER NUTRIENTS, TOPSOIL FURNISH AND PLACE, 4"
  - EROSION CONTROL BLANKET, SEEDING, CLASS 4 (MODIFIED), SEEDING, CLASS 5A (MODIFIED), TOPSOIL FURNISH AND PLACE, 12" COMPOST FURNISH AND PLACE, 6"
  - INLET FILTER



• COST INCLUDED WITH PCC SIDEWALK, 5 INCH



**DETAIL 3**

NOTE: EXTEND THE FOUNDATION WIDTH TO MEET THE EXISTING CONCRETE CURB AND GUTTER. ADDITIONAL FOUNDATION WIDTH SHALL BE INCLUDED IN THE COST OF FLUTED KNEE WALL.

- NOTES:**
- STATION AND OFFSET CALLOUTS ALONG THE LENGTH OF EITHER FLUTED KNEE WALL OR FLUTED KNEE WALL, SPECIAL ARE TAKEN FROM THE BACK FACE SIDE AT PROPOSED EXPANSION JOINT LOCATIONS.
  - THE CONTRACTOR SHALL PROTECT AND USE CAUTION DURING CONSTRUCTION OPERATIONS AROUND ALL EXISTING PUBLIC OR PRIVATE UTILITY FACILITIES.

| REVISIONS |      |
|-----------|------|
| NAME      | DATE |
|           |      |
|           |      |
|           |      |
|           |      |
|           |      |

ILLINOIS DEPARTMENT OF TRANSPORTATION  
F.A.I. 94 (DAN RYAN EXPRESSWAY)  
**PROPOSED PLAN**  
SB I-94 (DAN RYAN EXPRESSWAY)  
STA. 1284+00.00 TO STA. 1289+50.00

SCALE: 1"=20'  
DATE: OCTOBER 17, 2008

DRAWN BY: JDF  
CHECKED BY: JPM

**TYLIN** INTERNATIONAL

P:\0231\3\road\226\app\629806.dwg 10/16/2008 4:38:51 PM