

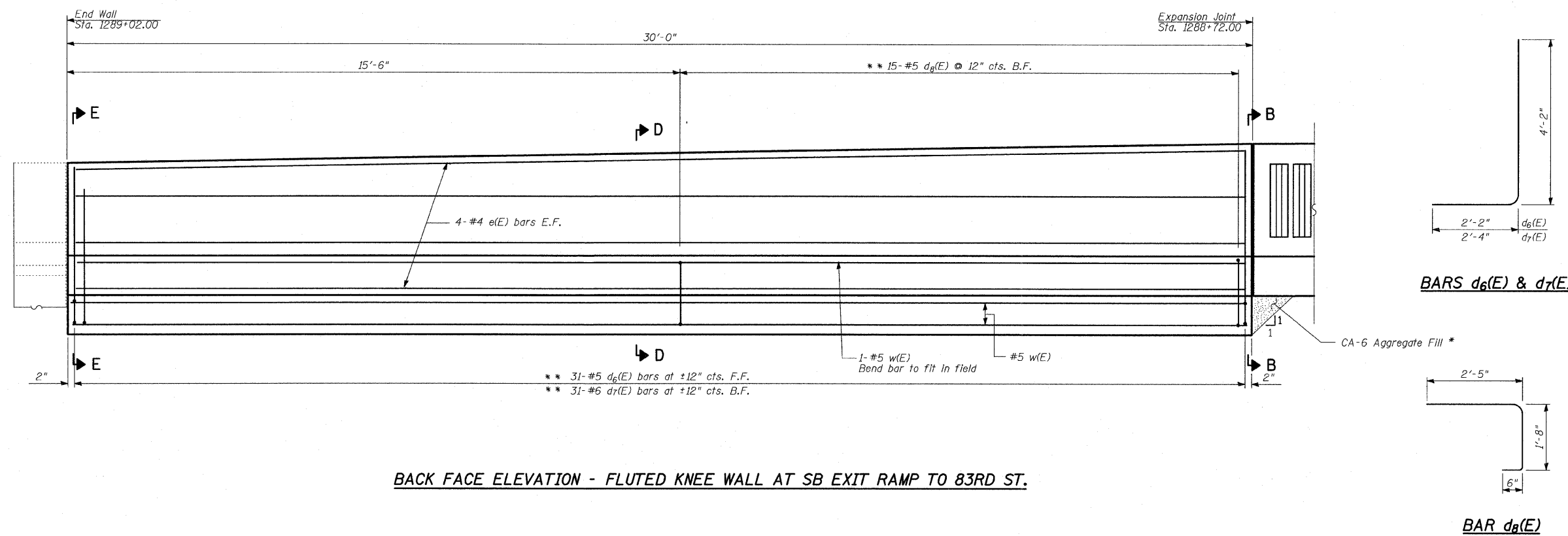
F.A.I. RTE.	SECTION	COUNTY	TOTAL SHEETS	SHEET NO.
94	1717 I-9	COOK	48	29
STA. 1273+74.31		TO STA. 1289+11.91		
FED. ROAD DIST. NO.		ILLINOIS FED. AID PROJECT		

62980

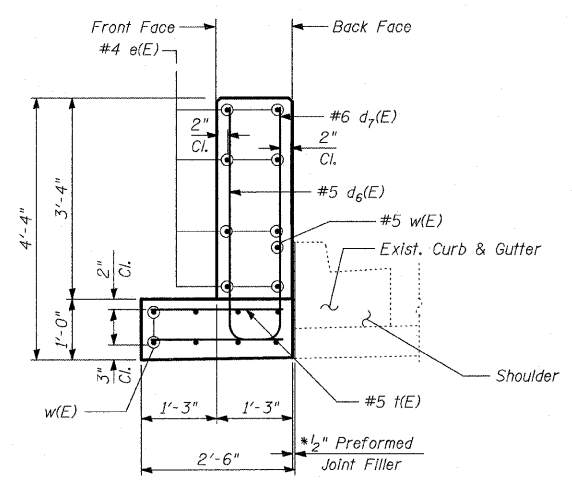
**BILL OF MATERIAL**

Bar	No.	Size	Length	Shape
d <sub>6</sub> (E)	31	#5	6'-4"	L
d <sub>7</sub> (E)	31	#6	6'-6"	L
d <sub>8</sub> (E)	15	#5	4'-7"	J
e(E)	8	#4	29'-8"	—
t(E)	31	#5	3'-8"	—
w(E)	9	#5	29'-8"	—
Reinforcement Bars, Epoxy Coated		POUND	1,140	
Structure Excavation		CU YD	17	
Concrete Structures		CU YD	8	
Protective Coat		SQ YD	28	

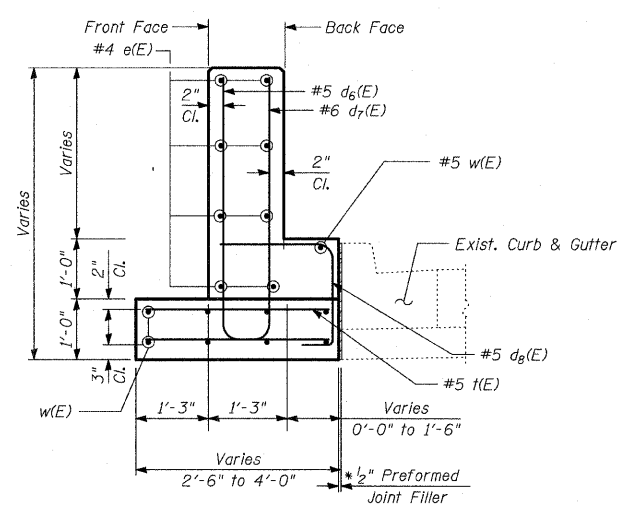
Reinforcement bars designated (E) shall be epoxy coated.



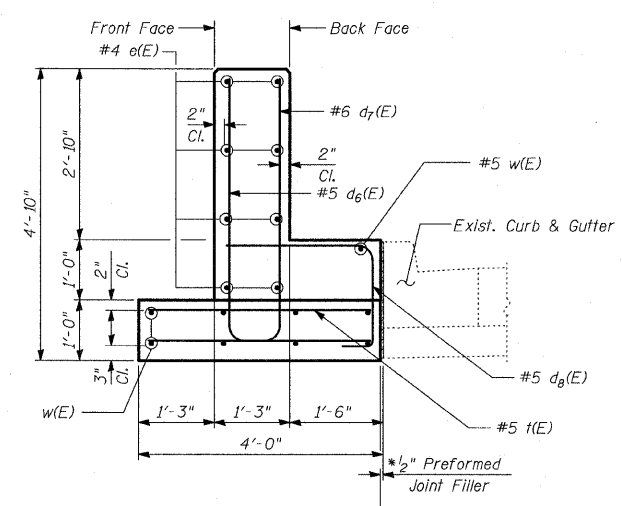
**BACK FACE ELEVATION - FLUTED KNEE WALL AT SB EXIT RAMP TO 83RD ST.**



**SECTION E-E**



**SECTION D-D**



**SECTION B-B**

**GENERAL NOTES:**

1. Reinforcement bars shall conform to the requirements of AASHTO M31 or M322 Grade 60.
2. Concrete: f'c = 3500 psi
3. Plan dimensions and details relative to existing structures have been taken from existing plans and are subject to nominal construction variations. It shall be the Contractor's responsibility to verify such dimensions and details in the field and make necessary approved adjustments prior to construction or ordering of materials. Such variations shall not be cause for additional compensation for a change in the scope of the work. However, the Contractor will be paid for the quantity actually furnished at the unit price bid for the work.
4. All exposed concrete edges shall be chamfered 3/4" except as noted.
5. Protective Coat shall be applied according to Section 503.19 of the Standard Specifications to all concrete surfaces not in contact with soil for the typical section of the Fluted Knee Wall, Special.
6. The exposed top of the footing shall be broom finished.
7. As built Documents indicate that existing electrical conduit was constructed at 36" Depth. If necessary, the Contractor shall adjust reinforcement and/or provide an opening in the wall to accommodate the existing conduit. Such work shall be included in the cost of "Concrete Structures".
8. All construction joints shall be bonded.

\* Cost Included with "Concrete Structures".

\*\* Cut bars to fit in field

REVISIONS	
NAME	DATE

ILLINOIS DEPARTMENT OF TRANSPORTATION  
**F.A.I. 94 (DAN RYAN EXPRESSWAY)**  
**FLUTED KNEE WALL ALONG LAFAYETTE AVENUE**  
**N. 85TH ST. TO N. OF 83RD ST.**  
**FLUTED KNEE WALL TRANSITION DETAILS**  
**(2 OF 2)**

S.N. \_\_\_\_\_ DESIGNED BY: MAF  
SCALE: N.T.S. \_\_\_\_\_ DRAWN BY: MAF  
DATE: OCTOBER 17, 2008 \_\_\_\_\_ CHECKED BY: PF

**TYLIN INTERNATIONAL**

10/17/2008 9:46:37 AM P:\0237\3\Structur\c26c\w262d\st043a.dgn