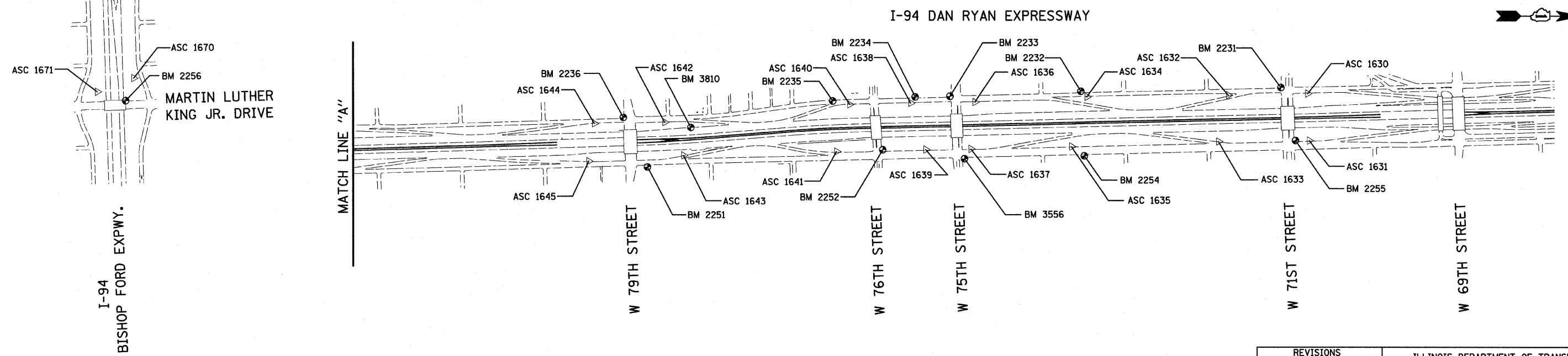
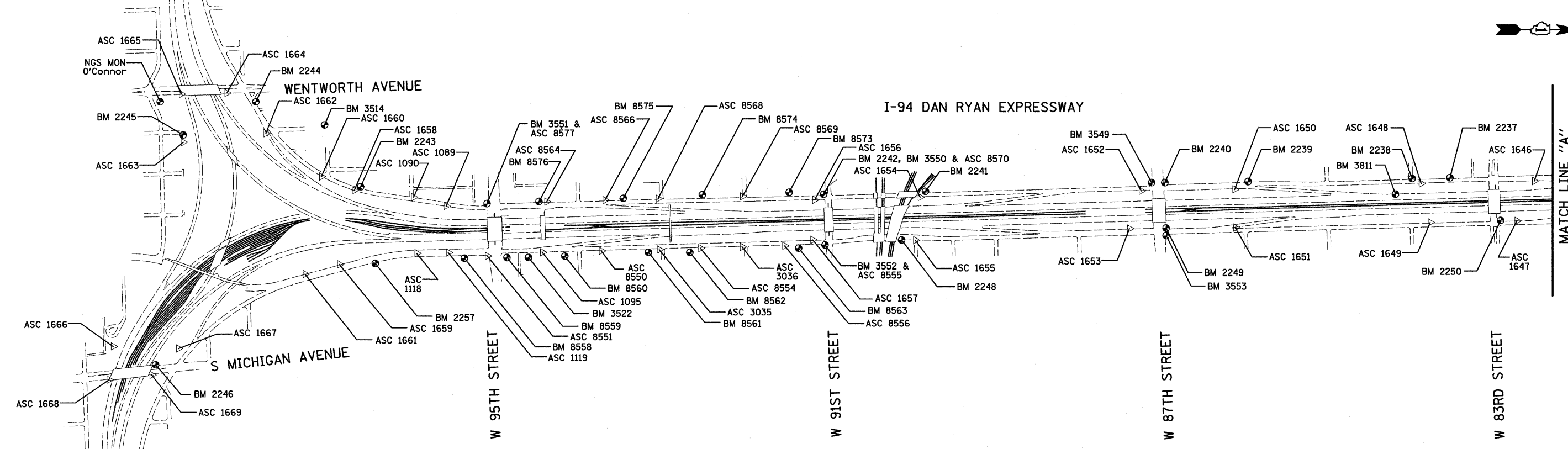


F.A.I. RTE.	SECTION	COUNTY	TOTAL SHEETS	SHEET NO.
94	1818 I-9	COOK	49	10
STA. 1329+49.25		TO STA. 1347+21.51		
FED. ROAD DIST. NO.		ILLINOIS FED. AID PROJECT		

62981

I-57
EXPWY
SEE SHEET 2 OF 7
MATCH LINE "B"



American Surveying Consultants, P.C.
1837 Pike St., Chicago, IL 60601 606 S. Northbrook Rd., Northbrook, IL 60062
 312-299-8200 312-299-8201

REVISIONS	
NAME	DATE

ILLINOIS DEPARTMENT OF TRANSPORTATION
 F.A.I. 94 (DAN RYAN EXPRESSWAY)
 SURVEY TIES FOR CONTROL POINTS
 SHEET 1 OF 7

SCALE: 1"=400'
 DATE: OCTOBER 17, 2008

DRAWN BY: GSP
 CHECKED BY: MMW

10/16/2008 4:53:23 PM