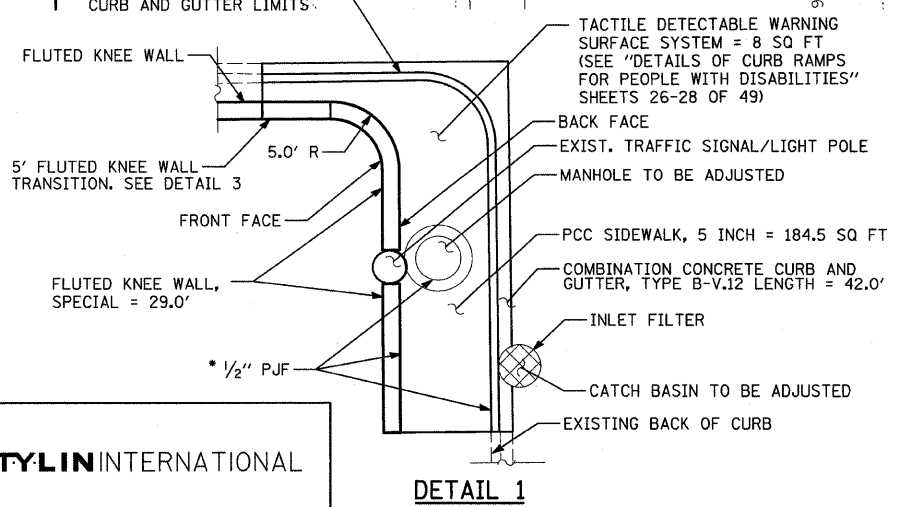
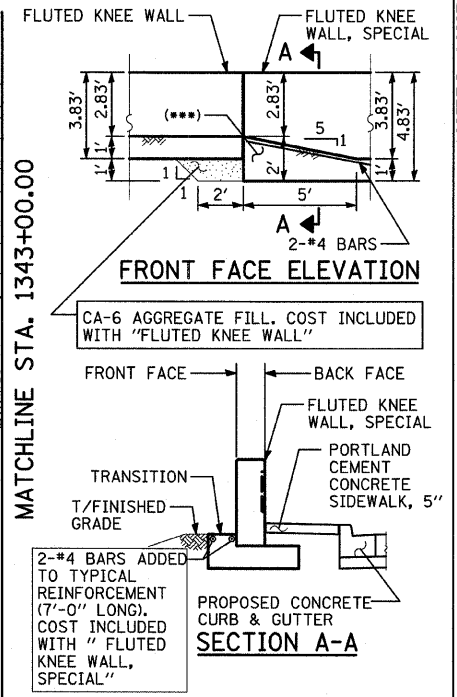
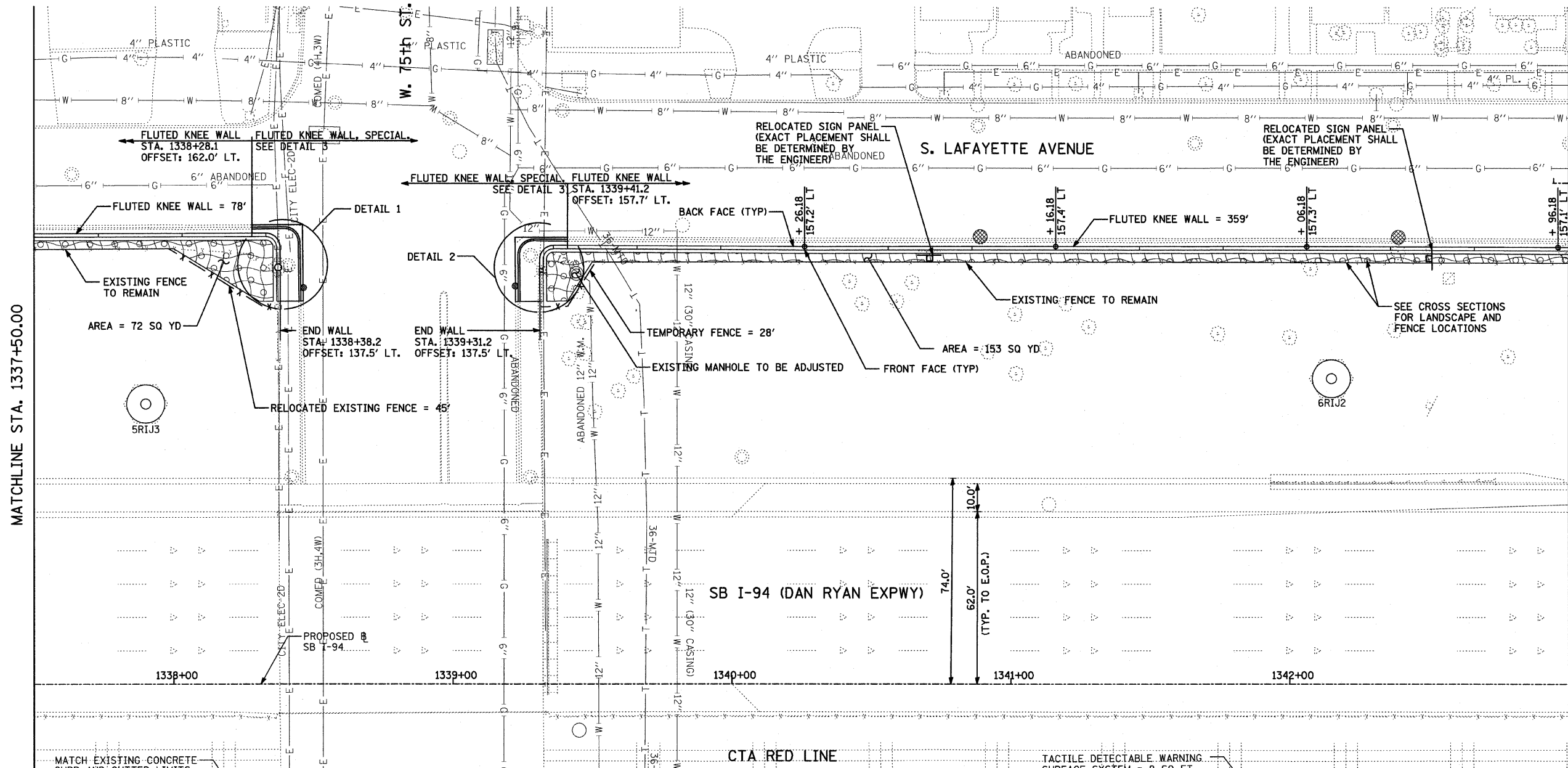


F.A.I. RTE.	SECTION	COUNTY	TOTAL SHEETS	SHEET NO.
94	1818 1-9	COOK	49	22
STA. 1329+49.25 TO STA. 1347+21.51		ILLINOIS FED. AID PROJECT		
FED. ROAD DIST. NO.		ILLINOIS FED. AID PROJECT		

62981

*** ADDITIONAL CONCRETE AT FOOTING TRANSITION. COST INCLUDED WITH "FLUTED KNEE WALL, SPECIAL"

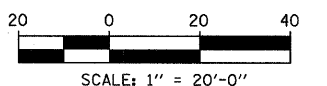
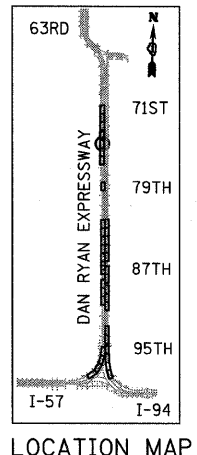
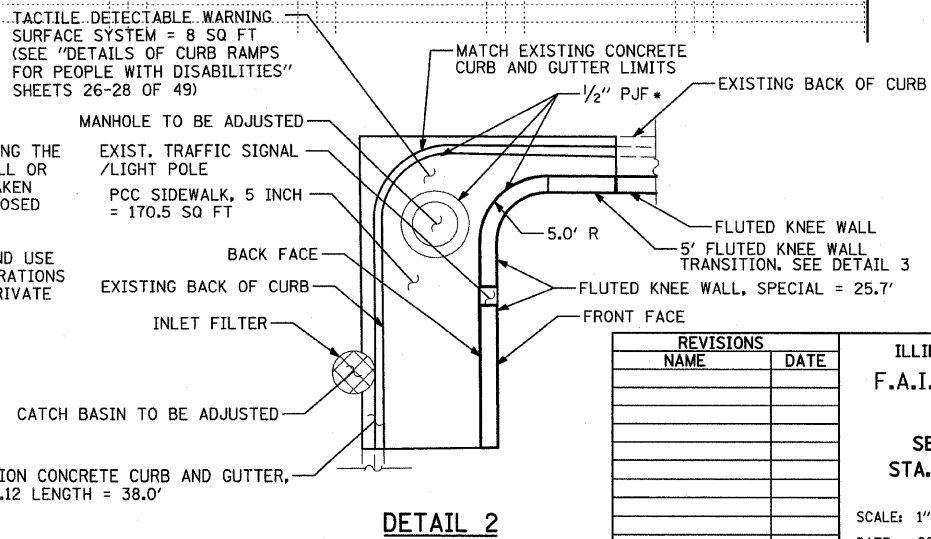


LEGEND:

- EROSION CONTROL BLANKET, SEEDING, CLASS 2A, NITROGEN, PHOSPHORUS, AND POTASSIUM FERTILIZER NUTRIENTS, TOPSOIL FURNISH AND PLACE, 4"
- EROSION CONTROL BLANKET, SEEDING, CLASS 2A, NITROGEN, PHOSPHORUS, AND POTASSIUM FERTILIZER NUTRIENTS, TOPSOIL FURNISH AND PLACE, 6"
- INLET FILTER

NOTES:

1. STATION AND OFFSET CALLOUTS ALONG THE LENGTH OF EITHER FLUTED KNEE WALL OR FLUTED KNEE WALL, SPECIAL ARE TAKEN FROM THE BACK FACE SIDE AT PROPOSED EXPANSION JOINT LOCATIONS.
2. THE CONTRACTOR SHALL PROTECT AND USE CAUTION DURING CONSTRUCTION OPERATIONS AROUND ALL EXISTING PUBLIC OR PRIVATE UTILITY FACILITIES.



REVISIONS	
NAME	DATE

ILLINOIS DEPARTMENT OF TRANSPORTATION
 F.A.I. 94 (DAN RYAN EXPRESSWAY)
PROPOSED PLAN
 SB I-94 (DAN RYAN EXPRESSWAY)
 STA. 1337+50.00 TO STA. 1343+00.00

SCALE: 1"=20'
 DATE: OCTOBER 17, 2008

DRAWN BY: AMB, MAF, TB
 CHECKED BY: TGB, MI

TYLIN INTERNATIONAL

10/17/2008 8:54:41 AM