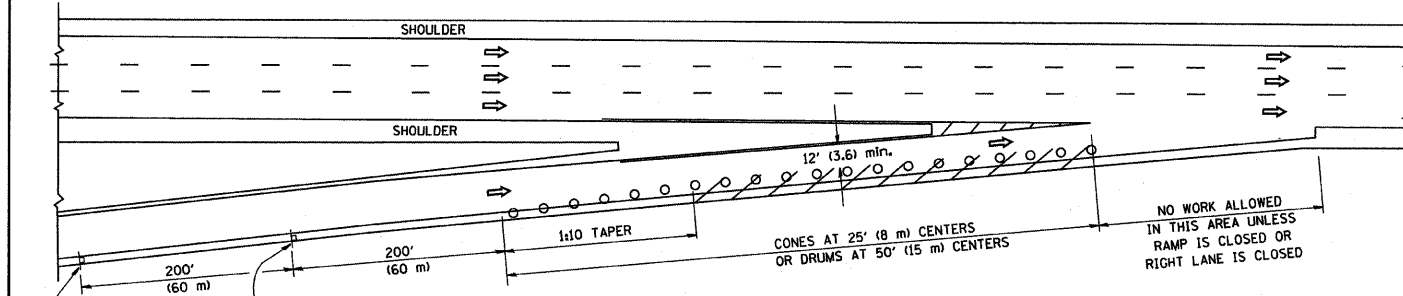
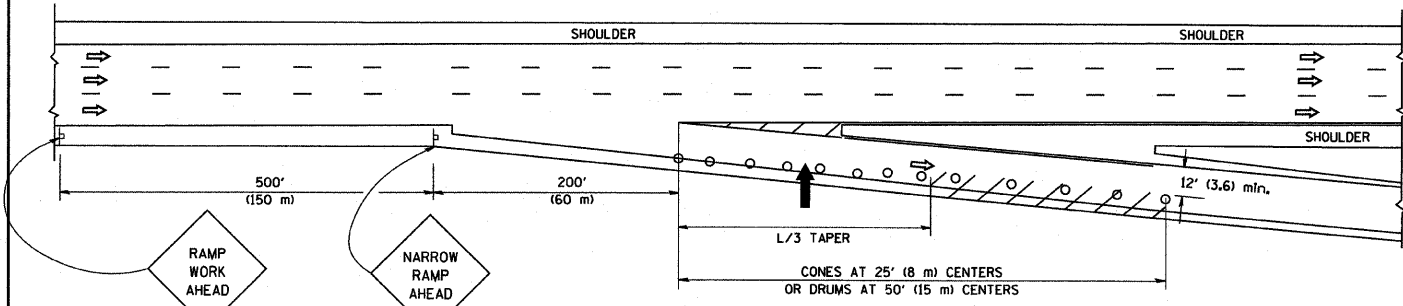


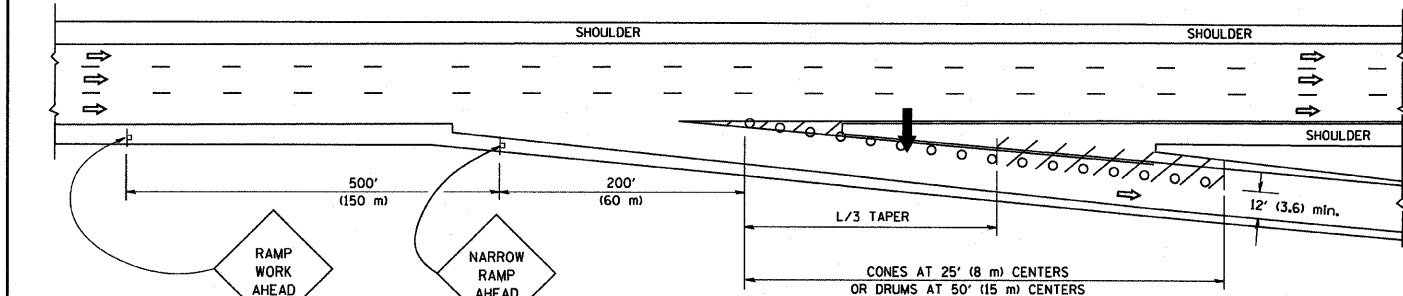
PARTIAL RAMP CLOSURE DETAILS



TYPICAL ENTRANCE RAMP



TYPICAL EXIT RAMP



TYPICAL EXIT RAMP

SYMBOLS

- ARROWBOARD
- WORK AREA
- SIGN ON PORTABLE OR PERMANENT SUPPORT
- FLAGGER WITH CONTROL SIGN
- TYPE II BARRICADE, DRUM OR VERTICAL BARRICADE WITH STEADY BURN MONO-DIRECTIONAL LIGHT
- CONE, DRUM OR BARRICADE

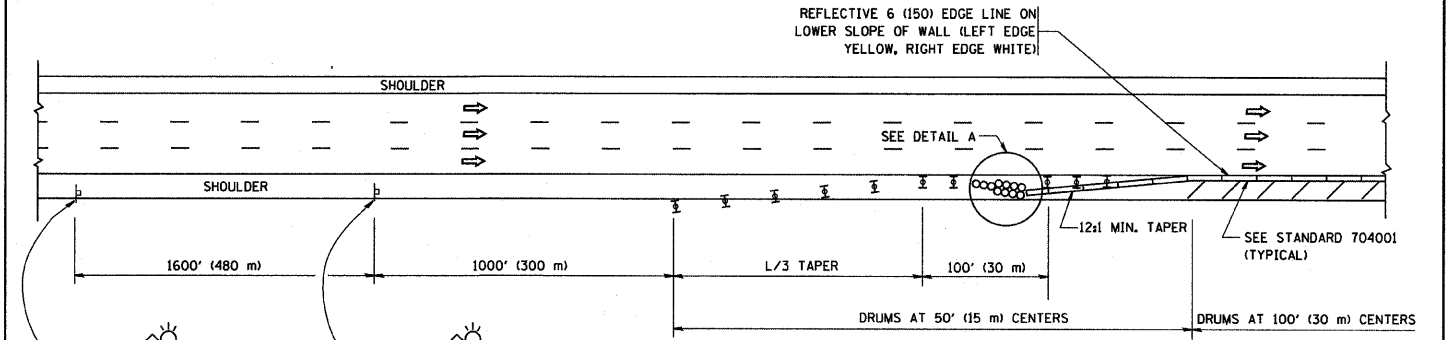
GENERAL NOTES

1. THE "L" DISTANCE EQUALS:

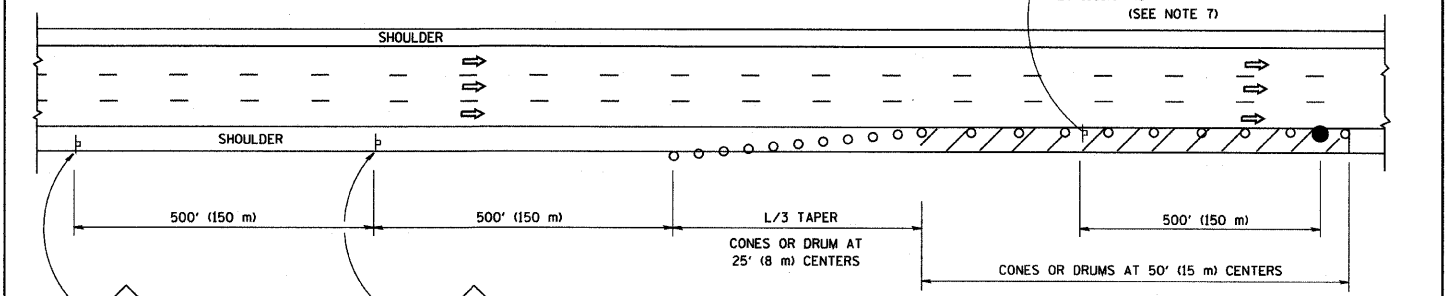
| | |
|------------------|-------------------------|
| SPEED LIMIT | FORMULAS |
| 45 mph (80 km/h) | METRIC ENGLISH |
| OR GREATER: | $L=0.65(W/S)$ $L=(W/S)$ |

W = WIDTH OF OFFSET IN FEET (METERS)
 S = NORMAL POSTED SPEED MPH (KM/H)
2. PLASTIC DRUMS WITH HIGH PERFORMANCE REFLECTIVE SHEETING AND STEADY BURNING LIGHTS ARE REQUIRED FOR ALL NIGHTTIME CLOSURES.
3. ALL SIGNS SHALL BE POST MOUNTED IF THE CLOSURE TIME EXCEEDS FOUR DAYS.
4. FLASHING LIGHTS SHALL BE USED DURING THE HOURS OF DARKNESS AND SHALL BE INSTALLED ABOVE THE FIRST TWO SETS OF SIGNS.

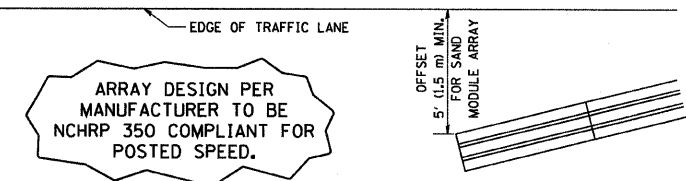
SHOULDER CLOSURE DETAILS



PERMANENT SHOULDER CLOSURE



DAYTIME SHOULDER CLOSURE



DETAIL "A"
 IMPACT ATTENUATOR, TEMPORARY
 (SEE NOTE 5)

ALL DIMENSIONS ARE IN INCHES (MILLIMETERS) UNLESS OTHERWISE SHOWN.

| | | | | | | | | | | | | |
|---|----------------------|------------------------------|---|---|--|--------------|-------|--------------|--------------------|-------------|---|--------------|
| FILE NAME = W:\dststd\22x34\col7.dgn | USER NAME = geglano | DESIGNED - DRAWN - D.W.S. | REVISED - J.A.F. 12-02 REVISED - 04-03 REVISED - J.A.F. 12-06 REVISED - S.P.B. 01-07 | STATE OF ILLINOIS DEPARTMENT OF TRANSPORTATION | TRAFFIC CONTROL DETAILS FOR FREEWAY SHOULDER CLOSURES AND PARTIAL RAMP CLOSURES | | | F.A. RTE. 44 | SECTION 1-9 | COUNTY COOK | TOTAL SHEETS 49 | SHEET NO. 47 |
| PLOT SCALE = 50.0000' / 1" | PLOT DATE = 1/4/2008 | CHECKED - DATE - 11-96 | SCALE: NONE | | SHEET NO. 1 OF 1 SHEETS | STA. TO STA. | TC-17 | | CONTRACT NO. 62981 | | FED. ROAD DIST. NO. 1 ILLINOIS FED. AID PROJECT | |