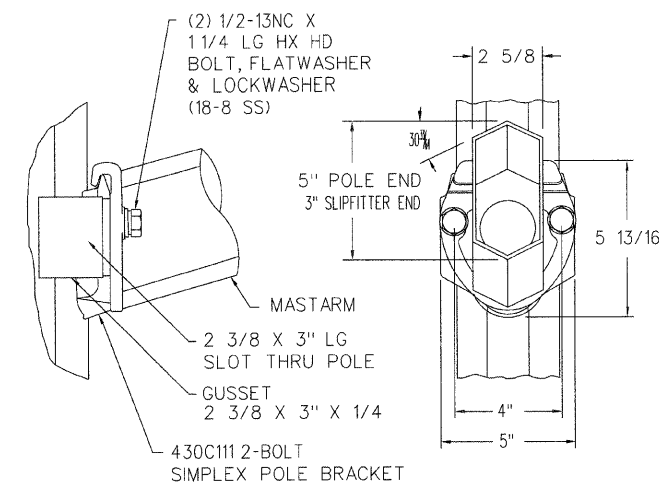
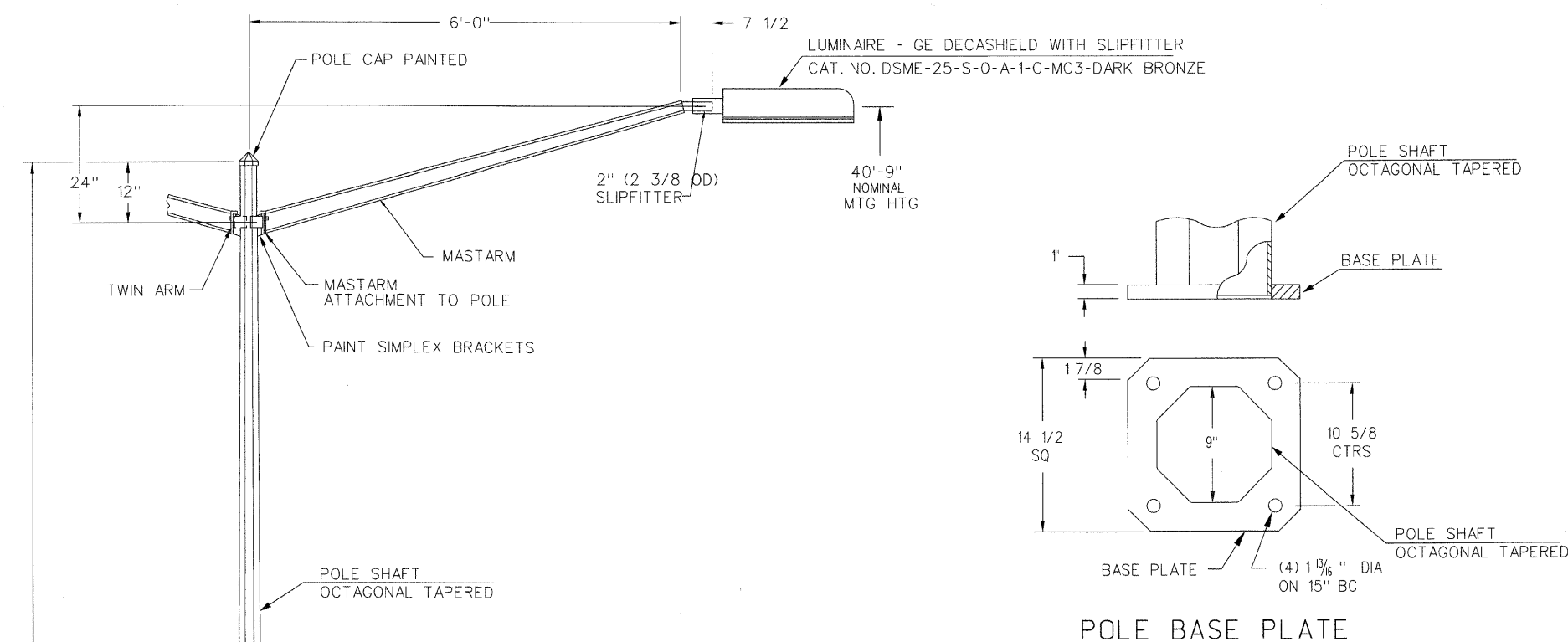
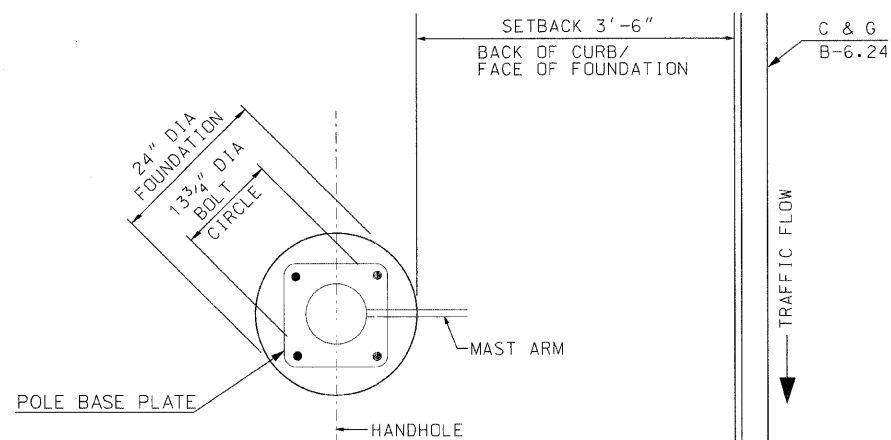


| F.A. RTE. | SECTION | COUNTY | TOTAL SHEETS | SHEET NO. |
|-----------|----------------|--------|--------------|-----------|
| 1503 | 08-00260-01-PV | KANE | 176 | 101 |



DETAIL 210A20 MASTARM ATTACHMENT TO POLE

POLE BASE PLATE



POSITION OF ANCHOR BOLTS AND HOLDHOLE AND POLE SETBACK

NOTE:

1. LUMINAIRE ARE TO BE INSTALLED AS SOON AS POSSIBLE AFTER POLE ERECTION. THE POLE WILL NOT BE PAID FOR UNTIL THE LUMINAIRE IS INSTALLED
2. THE LIGHT POLE WILL MEET AASHTO DESIGN CRITERIA.
3. THE RACEWAY SHALL EXTEND A MINIMUM OF (12") ABOVE THE BASE



TB5-9 AKRON ALUMINUM BREAKAWAY TRANSFORMER BASE

LIGHT POLE DETAIL

(4) 1-8NC X 4" LG HVY HX HD BOLT, HVY HX NUT, LOCKWASHER (A325-GV) & (4) 2 3/4 OD X 1 1/16 ID X 1/2TK WASHER (INSTALL HEAD UP)
 (4) 2 3/4 OD X 1 1/16 ID X 1/2TK WASHER (1" BOLTS ON 14 1/2 TO 16 1/4 BC) NOTE: T-BASE MUST BE INSTALLED DIRECTLY ONTO FOUNDATION FOR AASHTO APPROVAL, USE (4) 500A103 SHIMS FOR LEVELING T-BASE

Sunjoy Inc.
 Area Lighting
 212 TIMBERCREST DRIVE
 SCHAUMBURG, ILLINOIS
 60193-1572

ILLINOIS DEPARTMENT OF TRANSPORTATION
CITY OF AURORA, KANE COUNTY
INDIAN TRAIL ROAD
LIGHT POLE, WEATHERING STEEL
40FT MOUNTING HEIGHT, 8 FT MAST ARM

SCALE: NONE
 DATE: 06-03-08

DRAWN BY HKQ
 CHECKED BY JS