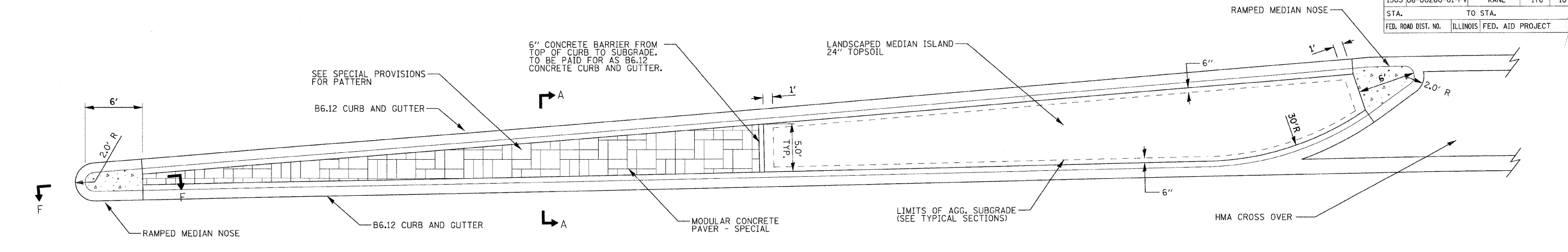
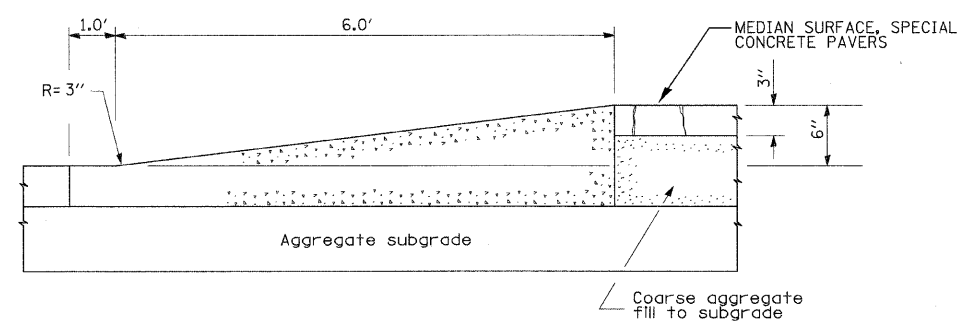


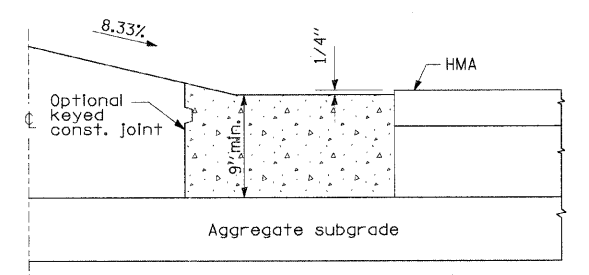
F.A.U. RTE.	SECTION	COUNTY	TOTAL SHEETS	SHEET NO.
1503	08-00260-01-PV	KANE	176	107
STA.	TO STA.			
FED. ROAD DIST. NO.	ILLINOIS	FED. AID PROJECT		



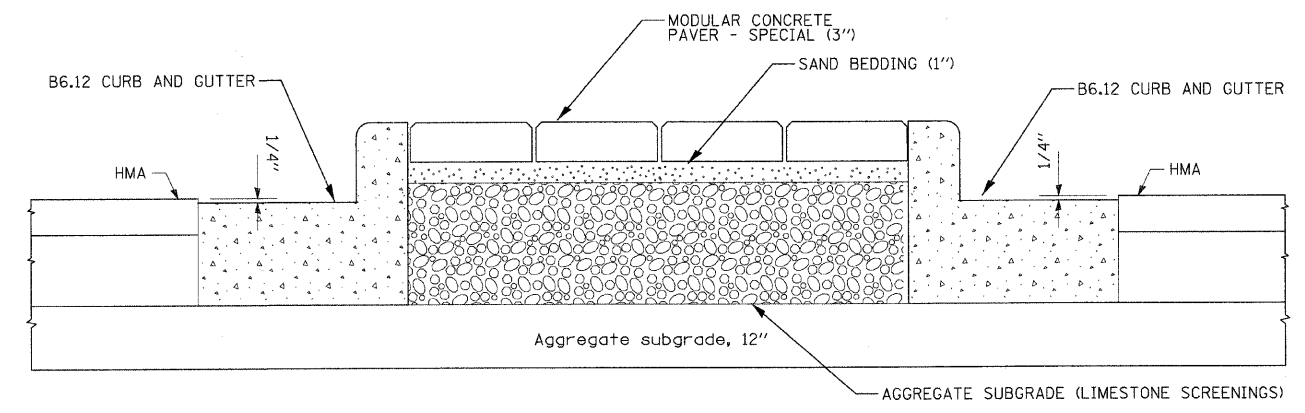
TYPICAL PLAN OF MEDIAN ISLAND



SECTION F-F

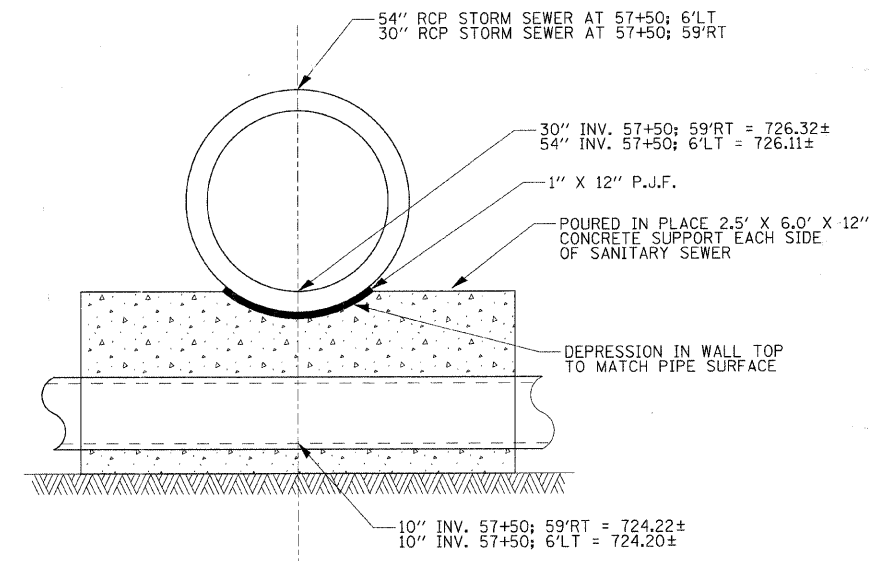
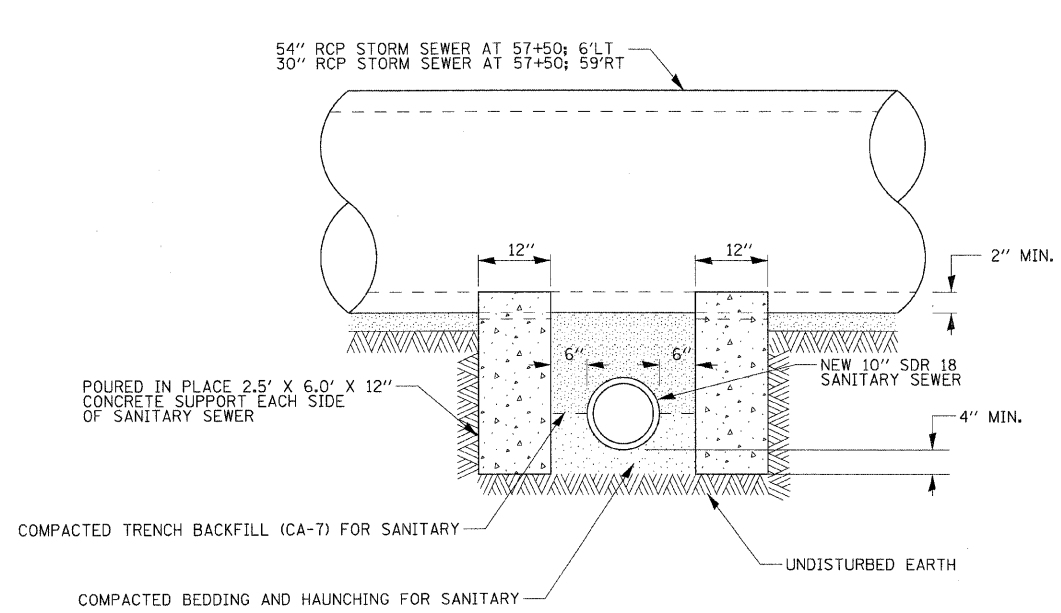


HALF SECTION FOR FLEXIBLE PAVEMENT



NOTE: MEDIAN SURFACES SHALL BE SLOPED OR CROWNED TO ASSURE POSITIVE DRAINAGE.

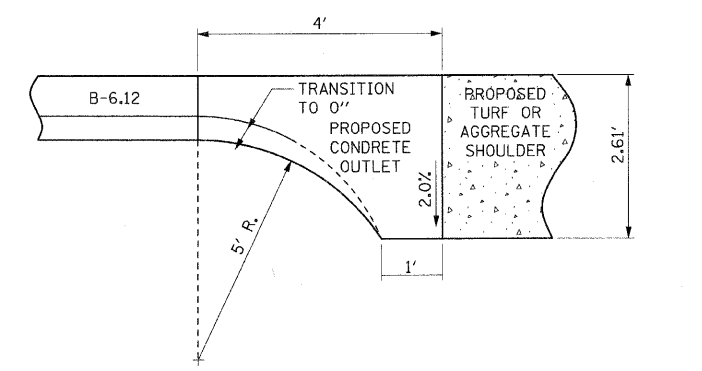
SECTION A-A



ALL LOCATIONS AND ELEVATIONS SHALL BE FIELD VERIFIED AND SUPPORT WALLS SHALL NOT BE CONSTRUCTED WITHOUT APPROVAL OF THE ENGINEER.

CONCRETE SUPPORT WALLS SHALL NOT BE PAID FOR SEPARATELY BUT SHALL BE CONSIDERED INCLUDED IN THE COST OF THE CONTRACT ITEM, "SANITARY SEWER REMOVAL AND REPLACEMENT 10".

RCP STORM SEWER PIPE SUPPORT DETAIL FOR CROSSING SANITARY SEWER AT STA. 57+50: 6'LT and 59'RT



CURB AND GUTTER TRANSITION DETAIL - OUTLET

PLOT DATE = 5/26/2009
 FILE NAME = I:\Projects\120095-ITPH\Civil\SiteDetails_R10.dwg
 USER NAME = JUSER

RHAA
 Robert H. Anderson & Associates, Inc.
 Consulting Engineers & Land Surveyors
 License No. 06-000293
 Phone No. 630-584-3530

REVISIONS		ILLINOIS DEPARTMENT OF TRANSPORTATION
NAME	DATE	
		CONSTRUCTION DETAILS

SCALE: VERT. NONE
 DATE 1/7/09

DRAWN BY _____
 CHECKED BY TC/SBP