

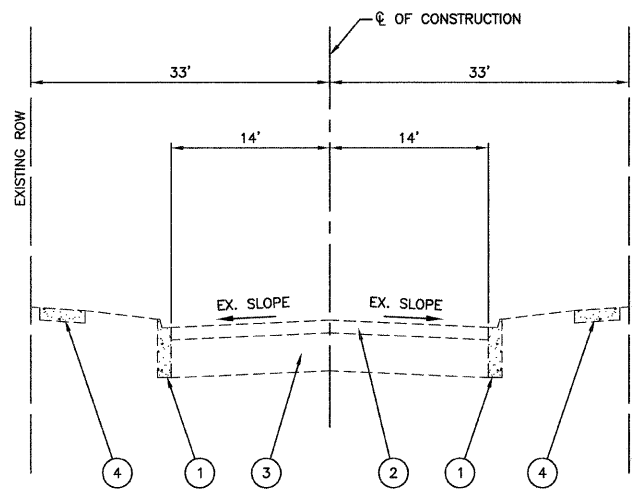
**LEGEND**

- ① EXISTING CURB & GUTTER TO BE REMOVED AT LOCATIONS AS SHOWN ON PLANS OR DIRECTED BY ENGINEER
- ② HOT-MIX ASPHALT SURFACE REMOVAL, 2-1/4"
- ③ EXISTING BITUMINOUS BASE COURSE TO REMAIN, ±6"
- ④ EXISTING P.C. CONCRETE SIDEWALK TO BE REMOVED AT LOCATIONS AS SHOWN ON PLANS OR DIRECTED BY ENGINEER
- ⑤ HOT-MIX ASPHALT SURFACE COURSE, MIX C, N50 1 1/2"
- ⑥ COMBINATION CONCRETE CURB & GUTTER, TYPE M-4.12 AT LOCATIONS AS SHOWN ON PLANS OR DIRECTED BY ENGINEER
- ⑦ LEVELING BINDER (MACHINE METHOD), N50, 3/4"
- ⑧ P.C. CONCRETE SIDEWALK, 5" AT LOCATIONS AS SHOWN ON PLANS OR DIRECTED BY ENGINEER

**HOT-MIX ASPHALT MIXTURE REQUIREMENTS**

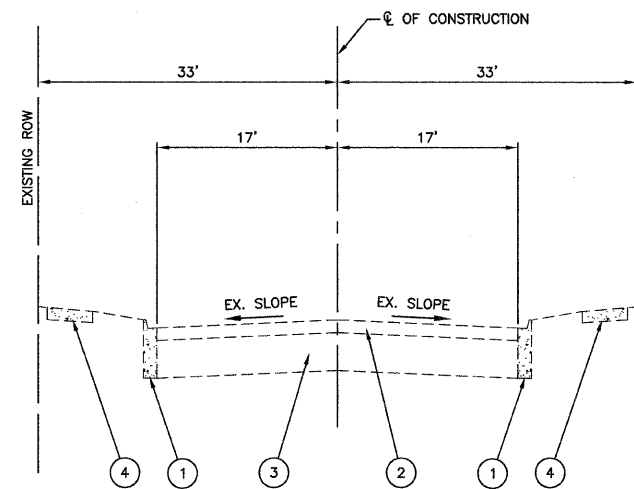
MIXTURE TYPE	AC TYPE	AIR VOIDS
<b>PAVEMENT RESURFACING</b>		
HOT-MIX ASPHALT SURFACE COURSE, MIX C, N50, 1 1/2"	PG 64-22	4% @ 50 Gyr.
LEVELING BINDER (MACHINE METHOD), N50, 3/4"	PG 64-22 *	4% @ 50 Gyr.
<b>DRIVEWAYS</b>		
HOT-MIX ASPHALT SURFACE COURSE, MIX C, N50, 2"	PG 64-22	4% @ 50 Gyr.
HMA BASE COURSE (HMA BINDER IL-19 MM), 6"	PG 64-22 *	4% @ 50 Gyr.
<b>PATCHING</b>		
CLASS D PATCHES, TYPE II, III, IV 8" (HMA BINDER IL-19 MM)	PG 64-22 *	4% @ 70 Gyr.

NOTE:  
THE UNIT WEIGHT USED TO CALCULATE ALL HOT-MIX ASPHALT SURFACE MIXTURE QUANTITIES IS 112 LBS/SY/IN.  
\* WHEN RAP EXCEEDS 20%, THE NEW ASPHALT BINDER IN THE MIX SHALL BE PG 58-22.



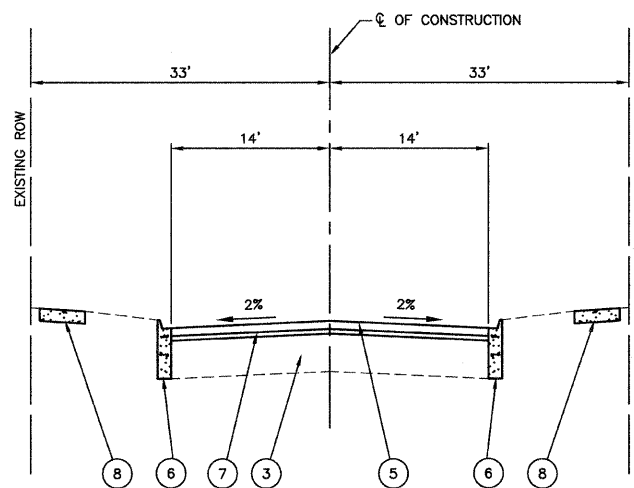
**EXISTING TYPICAL CROSS SECTION**

142ND STREET TO SOUTH OF BRIDGE OVER IHB RR\*  
NORTH OF BRIDGE OVER IHB RR TO 139TH STREET  
\*BRIDGE OVER IHB RR OMITTED FROM RESURFACING  
STA 22+15 TO STA 23+10



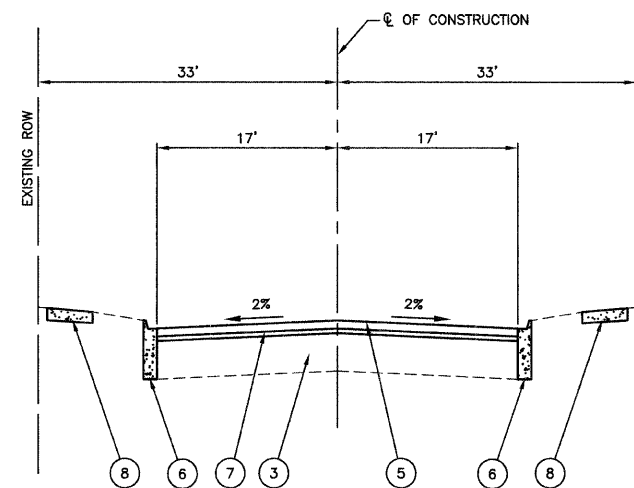
**EXISTING TYPICAL CROSS SECTION**

139TH STREET TO 138TH STREET



**PROPOSED TYPICAL CROSS SECTION**

142ND STREET TO SOUTH OF BRIDGE OVER IHB RR\*  
NORTH OF BRIDGE OVER IHB RR TO 139TH STREET  
\*BRIDGE OVER IHB RR OMITTED FROM RESURFACING  
STA 22+15 TO STA 23+10



**PROPOSED TYPICAL CROSS SECTION**

139TH STREET TO 138TH STREET

FILE NAME = 05564-TYPX-01-IDOT P01

USER NAME =	DESIGNED -- JK	REVISED --
	CHECKED -- JMN	REVISED --
PLOT SCALE =	DRAWN -- MJD	REVISED --
PLOT DATE = 02-25-09	CHECKED -- MJD	REVISED --

STATE OF ILLINOIS  
DEPARTMENT OF TRANSPORTATION

SCHOOL STREET RESURFACING  
142ND STREET TO 138TH STREET  
TYPICAL SECTIONS

SCALE: NONE SHEET NO. 3 OF 10 SHEETS STA. TO STA.

F.A.U. RTE.	SECTION	COUNTY	TOTAL SHEETS	SHEET NO.
2930	09-00117-00-RS	COOK	10	3
FED. ROAD DIST. NO. 1		ILLINOIS	FED. AID PROJECT M-9003(219)	
CONTRACT NO. 63159				