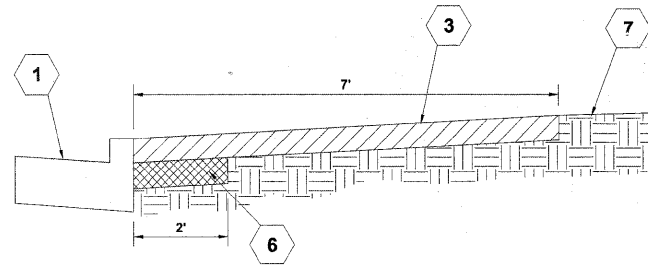
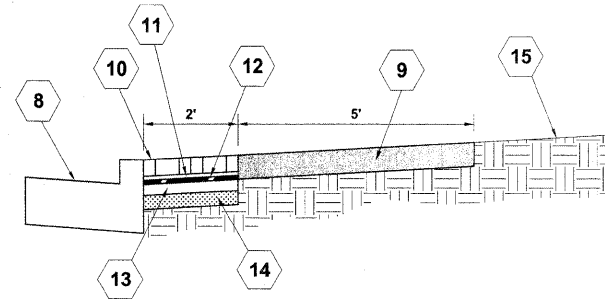


ROUTE NO.	SECTION	COUNTY	TOTAL SHEETS	SHEET NO.
FAP 347	06-00071-00-SW	COOK	17	4
ILLINOIS PROJECT		TE-00D1(701)		
VILLAGE SECTION				
CONTRACT NO. 63183				



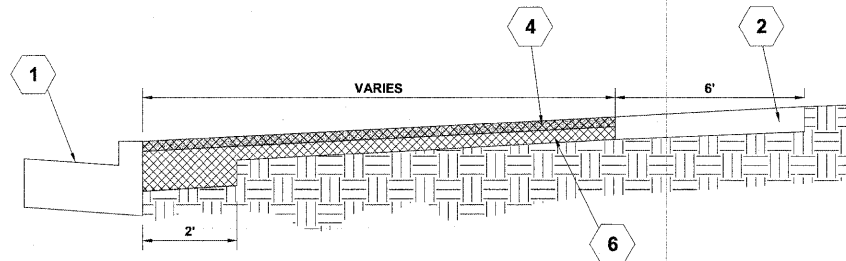
EXISTING TYPICAL CROSS SECTION

NORTH SIDE OF ROOSEVELT ROAD
(STA. 320+00 TO STA. 325+87)
SOUTH SIDE OF ROOSEVELT ROAD
(STA. 320+00 TO STA. 323+05)



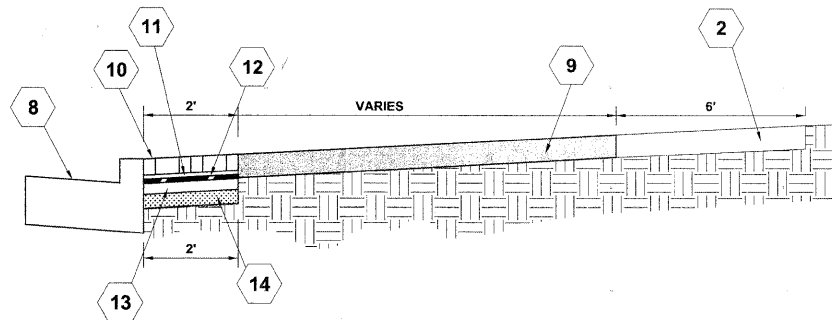
PROPOSED TYPICAL CROSS SECTION

NORTH SIDE OF ROOSEVELT ROAD
(STA. 320+00 TO STA. 325+87)
SOUTH SIDE OF ROOSEVELT ROAD
(STA. 320+00 TO STA. 323+05)



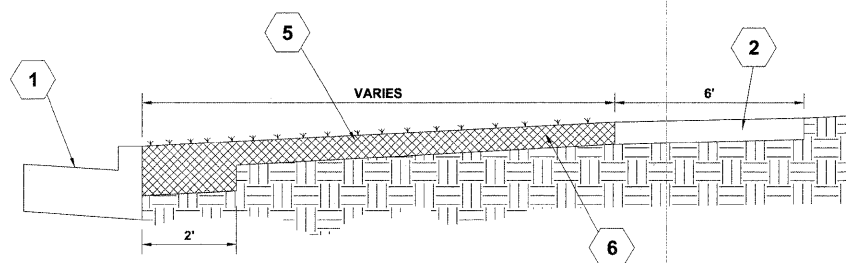
EXISTING TYPICAL CROSS SECTION

SOUTH SIDE OF ROOSEVELT ROAD
(STA. 323+62 TO STA. 324+19)
(STA. 324+45 TO STA. 325+71)
(STA. 325+87 TO STA. 326+07)
(STA. 326+33 TO STA. 326+50)
(STA. 326+70 TO STA. 326+84)



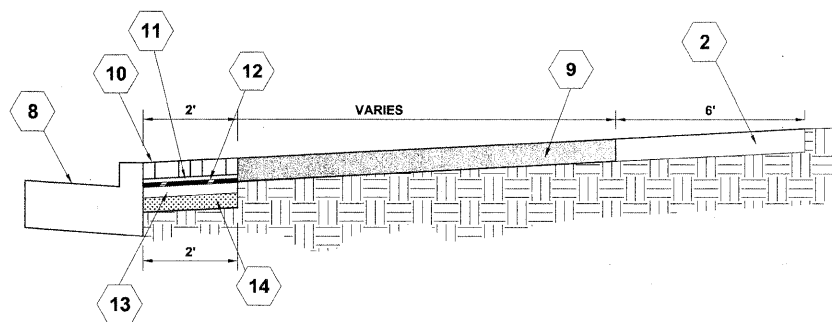
PROPOSED TYPICAL CROSS SECTION

SOUTH SIDE OF ROOSEVELT ROAD
(STA. 323+62 TO STA. 324+19)
(STA. 324+45 TO STA. 325+71)
(STA. 325+87 TO STA. 326+07)
(STA. 326+33 TO STA. 326+50)
(STA. 326+70 TO STA. 326+84)



EXISTING TYPICAL CROSS SECTION

SOUTH SIDE OF ROOSEVELT ROAD
(STA. 326+84 TO STA. 326+96)
(STA. 327+16 TO STA. 327+44)
(STA. 327+89 TO STA. 328+07)



PROPOSED TYPICAL CROSS SECTION

SOUTH SIDE OF ROOSEVELT ROAD
(STA. 326+84 TO STA. 326+96)
(STA. 327+16 TO STA. 327+44)
(STA. 327+89 TO STA. 328+07)

TYPICAL CROSS SECTION LEGEND

EXISTING

- 1 COMBINATION CONCRETE CURB & GUTTER, TYPE B-6.24 (ONLY CERTAIN DETERIORATED SECTIONS TO BE REMOVED) (REMOVAL TO BE PAID AS COMBINATION CONCRETE CURB & GUTTER REMOVAL)
- 2 CONCRETE SIDEWALK
- 3 SIDEWALK REMOVAL
- 4 ASPHALT SURFACE, ±3" (REMOVAL TO BE INCLUDED IN PAY ITEM FOR EARTH EXCAVATION)
- 5 GRASS PARKWAY (REMOVAL TO BE INCLUDED IN PAY ITEM FOR EARTH EXCAVATION)
- 6 EARTH EXCAVATION
- 7 EXISTING PARKWAY AS NOTED ON PLANS

PROPOSED

- 8 COMBINATION CONCRETE CURB & GUTTER, TYPE B-6.24 (ONLY CERTAIN DETERIORATED SECTIONS TO BE REPLACED)
- 9 PORTLAND CEMENT CONCRETE SIDEWALK, 5"
- 10 BRICK PAVER, 2-3/8" (INCLUDED IN PAY ITEM FOR DECORATIVE BRICK SIDEWALK)
- 11 SAND CUSHION, 1" (INCLUDED IN PAY ITEM FOR DECORATIVE BRICK SIDEWALK)
- 12 FILTER FABRIC (INCLUDED IN PAY ITEM FOR DECORATIVE BRICK SIDEWALK)
- 13 PORTLAND CEMENT CONCRETE BASE COURSE, 3"
- 14 COMPACTED CA-6 STONE BEDDING, 4" (INCLUDED IN PAY ITEM FOR PORTLAND CEMENT CONCRETE BASE COURSE, 3")
- 15 PARKWAY RESTORATION AS NOTED ON PLANS

HOT-MIX ASPHALT MIXTURE REQUIREMENTS

ITEM DESCRIPTION	AC TYPE	VOIDS
INCIDENTAL HOT-MIX ASPHALT SURFACING		
HOT-MIX ASPHALT SURFACE COURSE, MIX D, N50, (1L9.5mm), 3"	PG 64-22	4% @ 50 GYR.

THE UNIT USED TO CALCULATE ALL HMA SURFACE MIXTURE QUANTITIES IS 112 LBS/SQ YD/IN.

REVISION:

HANCOCK ENGINEERING ♦ Civil Engineers ♦ Municipal Consultants ♦ Established 1911
9333 Riverwoods Blvd, Westchester, Illinois 60591-3788, Phone: 708.945-4308, Fax: 708.945-1112

VILLAGE OF WESTCHESTER
ROOSEVELT ROAD (FAP 347)
BEAUTIFICATION PROJECT
TYPICAL CROSS SECTIONS

DRAWN BY: MK
 CHECKED BY: JCG
 DATE: 04/15/09

SCALE: NONE