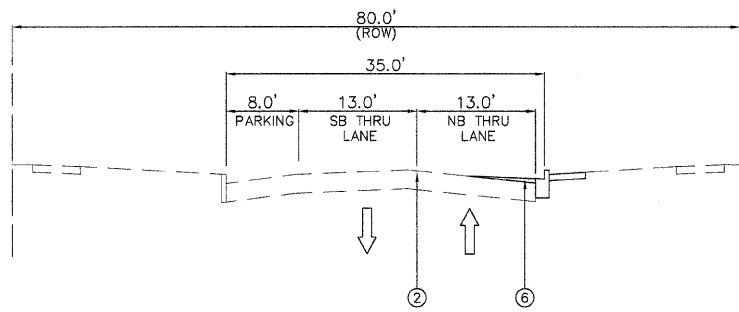
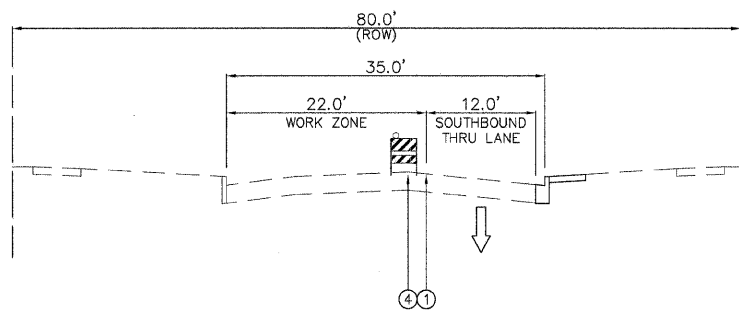


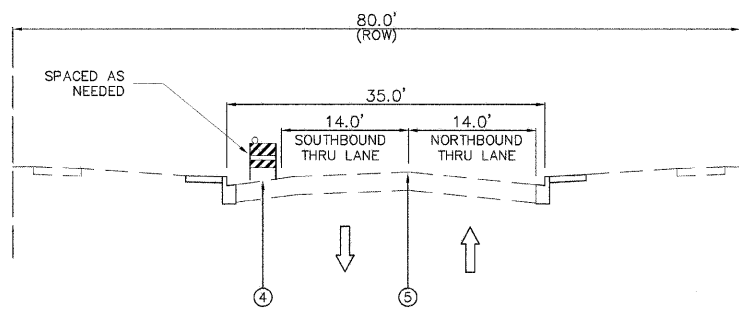
PHASE I - RELIEF SEWER / EAST SIDE CONSTRUCTION
SHERIDAN ROAD



PHASE II - WINTER SHUT-DOWN
SHERIDAN ROAD



PHASE III - WATER MAIN / WEST SIDE CONSTRUCTION
SHERIDAN ROAD



PHASE IV - PAVING OPERATIONS
SHERIDAN ROAD

MAINTENANCE OF TRAFFIC LEGEND:

- ① TEMPORARY PAVEMENT MARKING LINE - 4" (SINGLE YELLOW)
- ② TEMPORARY PAVEMENT MARKING LINE - 4" (DOUBLE YELLOW)
- ③ TEMPORARY PAVEMENT MARKING LINE - 4" (WHITE)
- ④ DRUM TYPE BARRICADES AT 50' CENTERS ON TANGENTS, 25' ON TAPERS AND 10' ON RADII
(USE POST MOUNTED VERTICAL PANELS WITH WARNING LIGHTS ADJACENT TO FULL-DEPTH PAVING SECTION)
- ⑤ SHORT-TERM PAVEMENT MARKING
- ⑥ TEMPORARY PAVEMENT (VARIABLE DEPTH)

NOTES:

- 1. "TEMPORARY PAVEMENT MARKING LINE 24" (WHITE) SHALL BE INSTALLED AT INTERSECTIONS AS DIRECTED BY THE ENGINEER.
- 2. "PAVEMENT MARKING TAPE, TYPE III" SHALL BE INSTALLED ON SURFACES TO REMAIN IN PLACE OUTSIDE OF CONSTRUCTION ZONE AS DIRECTED BY THE ENGINEER.
- 3. "WORK ZONE PAVEMENT MARKING REMOVAL" SHALL BE USED TO REMOVE CONFLICTING PAVEMENT MARKINGS AS DIRECTED BY THE ENGINEER.
- 4. "SHORT-TERM PAVEMENT MARKING" SHALL BE INSTALLED AFTER PAVING OPERATIONS AS DIRECTED BY THE ENGINEER.
- 5. "TEMPORARY PAVEMENT (VARIABLE DEPTH)" SHALL BE INSTALLED USING FINISHING MACHINE PRIOR TO THE BEGINNING OF 'PHASE II - WINTER SHUT-DOWN' IN ORDER TO PROVIDE A TEMPORARY PAVEMENT EDGE FLUSH WITH NEWLY INSTALLED CURB AND GUTTER WITH POSITIVE DRAINAGE ON EAST SIDE OF SHERIDAN ROAD.

TEMPORARY TRAFFIC CONTROL STANDARD LIST:

- 701421-02 LANE CLOSURE, MULTILANE, DAY OPERATIONS ONLY
- 701501-05 URBAN LANE CLOSURE 2L 2W - UNDIVIDED
- 701701-06 URBAN LANE CLOSURE MULTILANE INTERSECTION
- 701801-04 URBAN LANE CLOSURE MULTILANE 1W OR 2W CROSSWALK OR SIDEWALK CLOSURE
- 701901-01 TRAFFIC CONTROL DEVICES
- TC 10 TRAFFIC CONTROL AND PROTECTION FOR SIDE ROADS, INTERSECTIONS, AND DRIVEWAYS
- TC 16 PAVEMENT MARKING LETTERS AND SYMBOLS FOR TRAFFIC STAGING
- TC 22 ARTERIAL ROAD INFORMATION SIGN

MAINTENANCE OF TRAFFIC GENERAL NOTES:

- 1. TRAFFIC CONTROL DEPICTED IN THESE PLANS AND THE APPLICABLE IDOT DETAILS AND STANDARDS ARE THE MINIMUM REQUIREMENTS. OTHER WORK OR SIGNING MAY BE REQUIRED BY THE ENGINEER. TRAFFIC CONTROL AND PROTECTION SHALL BE PERFORMED IN ACCORDANCE WITH THE STANDARD SPECIFICATIONS, DIVISION 700: APPLICABLE GUIDELINES IN THE ILLINOIS MANUAL ON UNIFORM TRAFFIC CONTROL DEVICES FOR STREETS AND HIGHWAYS, AND APPLICABLE HIGHWAY STANDARDS FOR TRAFFIC CONTROL, UNLESS HEREIN REVISED.
- 2. THE EXACT NUMBER, LOCATION AND SPACING OF ALL SIGNS AND TRAFFIC CONTROL DEVICES SHALL FIT FIELD CONDITIONS AS DIRECTED BY THE ENGINEER.
- 3. ALL CONSTRUCTION SIGNS SHALL HAVE FLOURESCENT ORANGE BACKGROUNDS.
- 4. ALL SIGNS SHALL BE MOUNTED ON METAL POSTS, 7 FEET ABOVE THE EXISTING GROUND AND DRIVEN A MINIMUM OF 3 FEET INTO THE GROUND. A J.U.L.I.E. LOCATE SHALL BE PERFORMED PRIOR TO THE INSTALLATION OF THE POSTS.
- 5. ALL BARRICADES OR DRUMS AT LANE DIVERSIONS WITHIN TAPER SECTIONS SHALL HAVE DIRECTION INDICATOR PANELS.
- 6. BARRICADES OR DRUMS EQUIPPED WITH ONE-WAY FLASHING LIGHTS WILL BE REQUIRED AT ALL OPEN TRENCHES, EXCAVATIONS, OPEN OR EXPOSED SEWER STRUCTURES, AND AT ANY OTHER LOCATIONS DESIGNATED BY THE ENGINEER OR LAW ENFORCEMENT AGENCIES. BARRICADES SHALL BE PLACED AT 50' CENTERS ALONG TANGENTS, 25' ALONG TAPERS AND 10' AROUND RADII.
- 7. DRUMS SHALL HAVE ALTERNATING REFLECTORIZED TYPE AA OR TYPE AP FLOURESCENT ORANGE AND REFLECTORIZED WHITE HORIZONTAL, CIRCUMFERENTIAL STRIPES.
- 8. TYPE III BARRICADES ARE TO BE PLACED IN ACCORDANCE WITH STANDARD 702001 UNLESS AUTHORIZED BY THE ENGINEER TO USE ALTERNATE ARRANGEMENT.
- 9. THE CONTRACTOR SHALL INFORM THE ENGINEER OF ANY STAGE CHANGE AT LEAST TWO WEEKS IN ADVANCE OF THE CHANGE.
- 10. EXISTING TRAFFIC CONTROL SIGNS AND DEVICES SHALL BE REMOVED OR RELOCATED BY THE CONTRACTOR AFTER THE TRAFFIC CONTROL REQUIREMENTS ARE MET OR AS AUTHORIZED BY THE ENGINEER; ANY SIGNS OR DEVICES LEFT IN PLACE ARE TO BE PROTECTED FROM DAMAGE AND MAINTAINED.
- 11. TEMPORARY LANE CLOSURES WILL BE ALLOWED ONLY BETWEEN THE HOURS OF 9:00 A.M. AND 3:00 P.M., WITH TRAFFIC MAINTAINED IN ACCORDANCE WITH STANDARD 701421 OR 701501 UNLESS OTHERWISE DIRECTED BY THE ENGINEER.
- 12. "FRESH OIL" SIGNS (W21-2-4848) WITH DATE SIGNS SHALL BE ERECTED 48 HOURS PRIOR TO PRIMING ALONG SHERIDAN ROAD AND ALL CROSS STREETS. THE COST OF THESE SIGNS SHALL BE INCLUDED IN THE PAY ITEM "TRAFFIC CONTROL AND PROTECTION".
- 13. THE COST OF SUPPLYING, ERECTING, AND MAINTAINING BARRICADES, DRUMS, WARNING LIGHTS, AND SIGNS SHALL BE INCLUDED IN THE COST OF "TRAFFIC CONTROL AND PROTECTION". QUANTITIES FOR SHORT-TERM PAVEMENT MARKINGS, TEMPORARY PAVEMENT MARKINGS, AND WORK ZONE PAVEMENT MARKING REMOVAL ARE NOT INCLUDED IN THE ITEM "TRAFFIC CONTROL AND PROTECTION" AND SHALL BE MEASURED SEPARATELY FOR PAYMENT.
- 14. ACCESS TO ALL PROPERTIES SHALL BE MAINTAINED AT ALL TIMES DURING CONSTRUCTION EXCEPT FOR THE PERIODS OF SHORT DURATION WHEN APPROVED BY THE ENGINEER. TEMPORARY ACCESS SHALL BE PROVIDED IN ACCORDANCE WITH THE SPECIAL PROVISION "AGGREGATE FOR TEMPORARY ACCESS".
- 15. DAY-TIME LANE CLOSURES MAY ONLY BE UTILIZED BETWEEN THE HOURS OF 9:00AM TO 3:00PM. THEY SHALL BE IMPLEMENTED ACCORDING TO HIGHWAY STANDARD 701501-05. "ONE-LANE ROAD AHEAD" AND "FLAGGER" SIGNS SHALL BE MOUNTED ON PORTABLE SIGN SUPPORTS.
- 16. SEWER WORK ON KEDZIE STREET WILL REQUIRE THE ROAD TO BE CLOSED TO "THRU TRAFFIC" AND SHALL BE IMPLEMENTED USING TYPE III BARRICADES ACCORDING TO HIGHWAY STANDARD 701901-01.
- 17. SIDEWALK CLOSURES SHALL BE IMPLEMENTED ACCORDING TO HIGHWAY STANDARD 701801-04.
- 18. WHEN REFERENCE IS MADE TO THE EAST SIDE OF SHERIDAN ROAD IT SHALL ALSO INCLUDE THE NORTH SIDE OF SHERIDAN ROAD BETWEEN STATIONS 126+00 TO THE END OF IMPROVEMENT. WEST SIDE SHALL ALSO INCLUDE THE SOUTH SIDE AT SAME LOCATION.
- 19. SIDEWALK ACCESS ACROSS SHERIDAN ROAD SHALL BE MAINTAINED AT ALL TIMES. CONCRETE CONSTRUCTION AT INTERSECTION CORNERS SHALL BE STAGED IN SUCH A WAY AS TO PROVIDE AT LEAST ONE ACCESS POINT TO CROSS CONSTRUCTION ZONE AT EACH INTERSECTION. THIS WORK SHALL BE PROVIDED IN ACCORDANCE WITH THE SPECIAL PROVISION "AGGREGATE FOR TEMPORARY ACCESS".

SEQUENCE OF CONSTRUCTION:

PHASE I - RELIEF SEWER / EAST SIDE CONSTRUCTION

- 1. IMPLEMENT DETOUR ROUTE FOR NORTHBOUND TRAFFIC AND INSTALL TRAFFIC CONTROL TO ESTABLISH ONE-WAY SOUTHBOUND TRAFFIC ON THE WEST TRAVEL LANE OF SHERIDAN ROAD.
- 2. PLACE ALL CONSTRUCTION SIGNS, TEMPORARY PAVEMENT MARKINGS AND BARRICADES.
- 3. REMOVE ALL CONFLICTING PAVEMENT MARKINGS.
- 4. INSTALL RELIEF SEWER AND ALL RELATED WORK.
- 5. COMPLETE ALL CONCRETE CONSTRUCTION ITEMS, PATCHING, AND FULL-DEPTH PAVING ON EAST SIDE OF SHERIDAN.
- 6. COMPLETELY RESTORE PARKWAY ON EAST SIDE OF SHERIDAN.
- 7. INSTALL TEMPORARY PAVEMENT (VARIABLE DEPTH) ON EAST SIDE OF SHERIDAN.

PHASE II - WINTER SHUT-DOWN


- 8. END USE OF NORTHBOUND DETOUR.
- 9. INSTALL TRAFFIC CONTROL TO ESTABLISH TWO-WAY TRAFFIC ON SHERIDAN ROAD.
- 10. REMOVE ALL CONFLICTING PAVEMENT MARKINGS.
- 11. PLACE ALL CONSTRUCTION SIGNS AND TEMPORARY PAVEMENT MARKINGS.
- 12. REMOVE BARRICADES AND NEATLY STOCKPILE OR REMOVE FROM SITE.

PHASE III - WATER MAIN / WEST SIDE CONSTRUCTION

- 13. IMPLEMENT DETOUR ROUTE FOR NORTHBOUND TRAFFIC AND INSTALL TRAFFIC CONTROL TO ESTABLISH ONE-WAY SOUTHBOUND TRAFFIC ON THE EAST TRAVEL LANE OF SHERIDAN ROAD.
- 14. PLACE ALL CONSTRUCTION SIGNS, TEMPORARY PAVEMENT MARKINGS AND BARRICADES.
- 15. REMOVE ALL CONFLICTING PAVEMENT MARKINGS.
- 16. INSTALL WATER MAIN AND ALL RELATED WORK.
- 17. COMPLETE ALL CONCRETE CONSTRUCTION ITEMS, PATCHING, AND FULL-DEPTH PAVING ON WEST SIDE OF SHERIDAN.
- 18. COMPLETELY RESTORE PARKWAY ON WEST SIDE OF SHERIDAN.

PHASE IV - PAVING OPERATIONS

- 19. END USE OF NORTHBOUND DETOUR.
- 20. INSTALL TRAFFIC CONTROL TO ESTABLISH TWO-WAY TRAFFIC ON SHERIDAN ROAD.
- 21. MILL EXISTING ASPHALT SURFACE ON SHERIDAN ROAD.
- 22. INSTALL LEVELING BINDER COURSE.
- 23. PLACE SHORT-TERM PAVEMENT MARKINGS.
- 24. INSTALL HOT-MIX ASPHALT BINDER COURSE.
- 25. PLACE SHORT-TERM PAVEMENT MARKINGS.
- 26. ADJUST PAVEMENT UTILITY STRUCTURES.
- 27. INSTALL HOT-MIX ASPHALT SURFACE COURSE.
- 28. PLACE SHORT-TERM PAVEMENT MARKINGS.
- 29. PLACE PERMANENT PAVEMENT MARKINGS.
- 30. INSTALL RAISED REFLECTIVE PAVEMENT MARKERS

PLANS PREPARED BY:  CITY OF EVANSTON
PUBLIC WORKS DEPARTMENT TRANSPORTATION
AND ENGINEERING DIVISION
PHONE: (847) 866-2924

DESIGNED - DSM, AA	REVISED - 5/20/09 PER MWRD
DRAWN - DSM	REVISED - 5/20/09 PER IDOT
CHECKED - SN, PC	REVISED -
DATE - 2 / 3 / 2009	REVISED -

STATE OF ILLINOIS
DEPARTMENT OF TRANSPORTATION

MAINTENANCE OF TRAFFIC PLAN
SHERIDAN ROAD

SCALE: N.T.S. SHEET NO. 19 OF 31 SHEETS STA. N.A. TO STA. N.A.

F. AU. RTE.	SECTION	COUNTY	TOTAL SHEETS	SHEET NO.
2885	08-00250-01-PV	COOK	31	19
CONTRACT NO. 63189				
ILLINOIS FED. AID PROJECT				