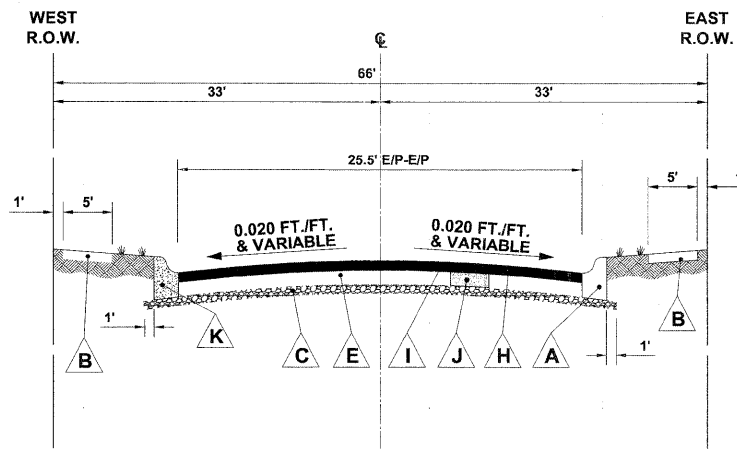
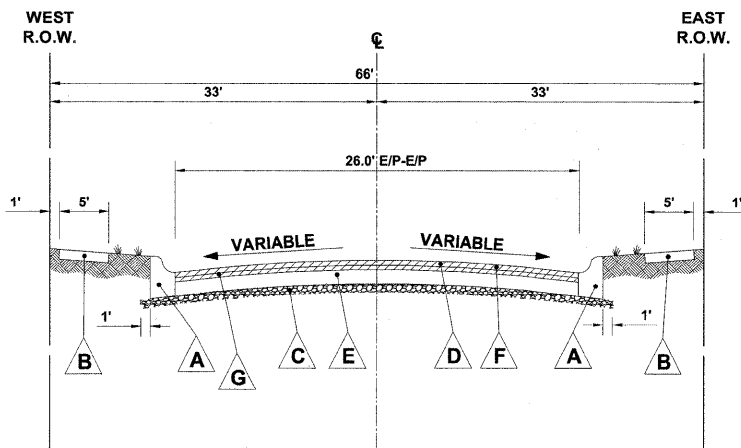


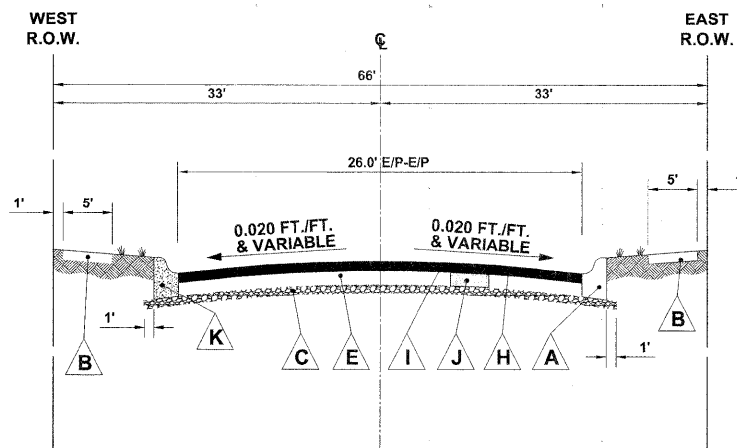
**EXISTING TYPICAL CROSS SECTION  
BRAINARD AVENUE  
(STATION 0+50 TO STATION 14+95)**



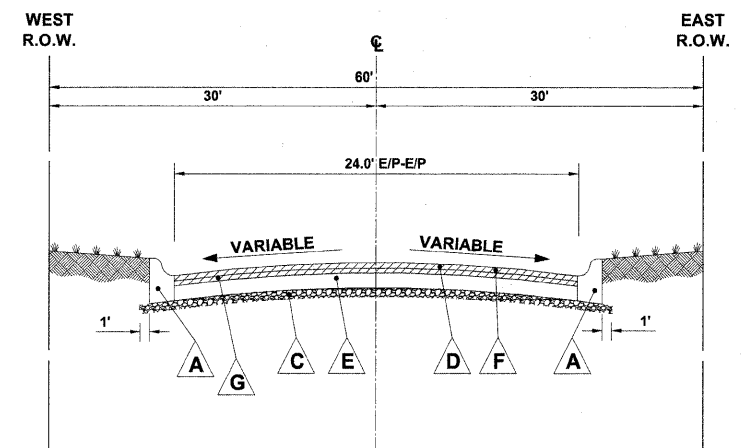
**PROPOSED TYPICAL CROSS SECTION  
BRAINARD AVENUE  
(STATION 0+50 TO STATION 14+95)**



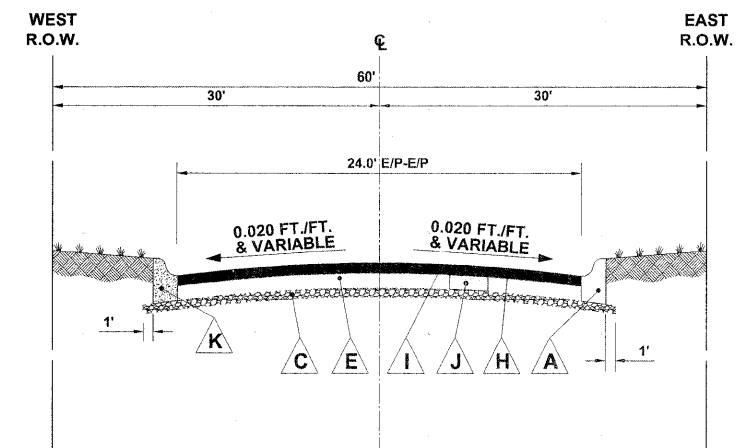
**EXISTING TYPICAL CROSS SECTION  
BRAINARD AVENUE  
(STATION 14+95 TO STATION 19+90)**



**PROPOSED TYPICAL CROSS SECTION  
BRAINARD AVENUE  
(STATION 14+95 TO STATION 19+90)**



**EXISTING TYPICAL CROSS SECTION  
BRAINARD AVENUE  
(STATION 19+90 TO STATION 28+44)**



**PROPOSED TYPICAL CROSS SECTION  
BRAINARD AVENUE  
(STATION 19+90 TO STATION 28+44)**

**LEGEND OF SYMBOLS**

SYMBOL	DESCRIPTION
A	EXISTING COMBINATION CONCRETE CURB & GUTTER, TYPE B-6.12
B	EXISTING PORTLAND CEMENT CONCRETE SIDEWALK
C	EXISTING SUB-BASE GRANULAR MATERIAL, 4" AND VARIABLE
D	EXISTING HOT-MIX ASPHALT SURFACE COURSE, 2"
E	EXISTING CONCRETE BASE COURSE
F	PROPOSED HOT-MIX ASPHALT SURFACE REMOVAL, VARIABLE DEPTH
G	EXISTING HOT-MIX ASPHALT BINDER COURSE, 1" & VARIABLE
H	PROPOSED LEVELING BINDER (MACHINE METHOD), N50, 3/4"
I	PROPOSED HOT-MIX ASPHALT SURFACE COURSE, MIX D, N50, 2"
J	PROPOSED CLASS B PATCHES, 10"
K	PROPOSED INTERMITTENT COMBINATION CONCRETE CURB & GUTTER REMOVAL & REPLACEMENT

NOTE: CONTRACTOR SHALL MILL BEFORE PATCHING

**HOT-MIX ASPHALT (HMA) MIXTURE REQUIREMENTS**

ITEM	A C TYPE	VOIDS
HOT-MIX ASPHALT SURFACE COURSE, MIX D, N50, (IL - 9.5 mm)	PG 64 -22	4% @ 50 GYR.
LEVELING BINDER (MACHINE METHOD), N50 (IL - 9.5 mm)	PG 64 -22/58 -22*	4% @ 50 GYR.
BITUMINOUS MIXTURE FOR PATCHING POTHoles (HOT MIX) MIX "D" N50	PG 64 -22	4% @ 50 GYR.

THE UNIT WEIGHT USED TO CALCULATE ALL HMA SURFACE COURSE IS 112 LBS/SQYD/IN.

\*WHEN RAP EXCEEDS 20%, THE NEW ASPHALT BINDER IN THE MIX SHALL BE PG 58.

Drawing file: W:\Projects\52009089 - Brainard Ave LAPP\TYPSEC.dwg Jun 03, 2009 9:48am

**HANCOCK ENGINEERING**  
Civil Engineers  
Municipal Consultants  
Established 1911

USER NAME	DESIGNED	WOP	REVISED
	DRAWN	LEV	REVISED
PLOT SCALE NONE	CHECKED	WOP	REVISED
PLOT DATE	DATE	6-3-09	REVISED

**STATE OF ILLINOIS  
DEPARTMENT OF TRANSPORTATION**

**EXISTING AND PROPOSED  
TYPICAL CROSS SECTIONS**

SCALE: NONE SHEET NO. OF SHEETS STA. TO STA.

F.A.U. RTE.	SECTION	COUNTY	TOTAL SHEETS	SHEET NO.
2704	09-00131-00-RS	COOK	14	5
CONTRACT NO. 63206				
FED. ROAD DIST. NO. 1 ILLINOIS FED. AID PROJECT ARA-9003(3a)				

E.H.E. PROJECT NO. 520-09-06901