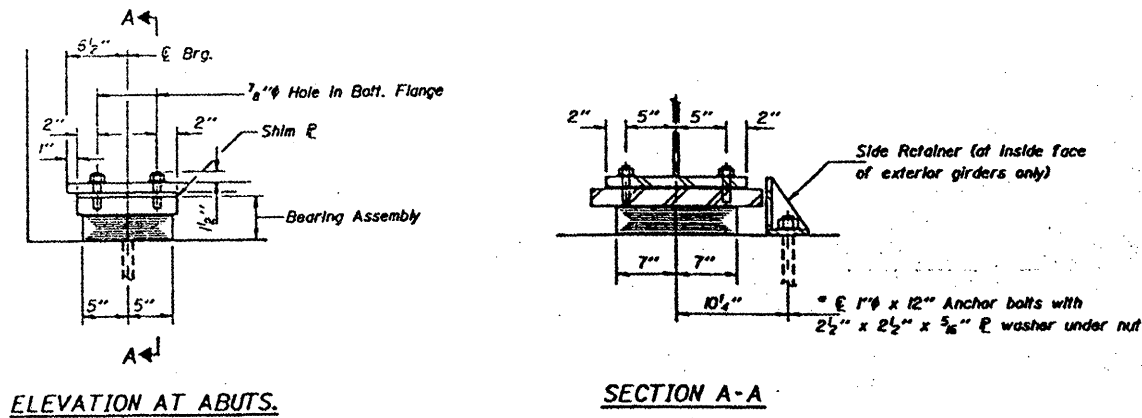


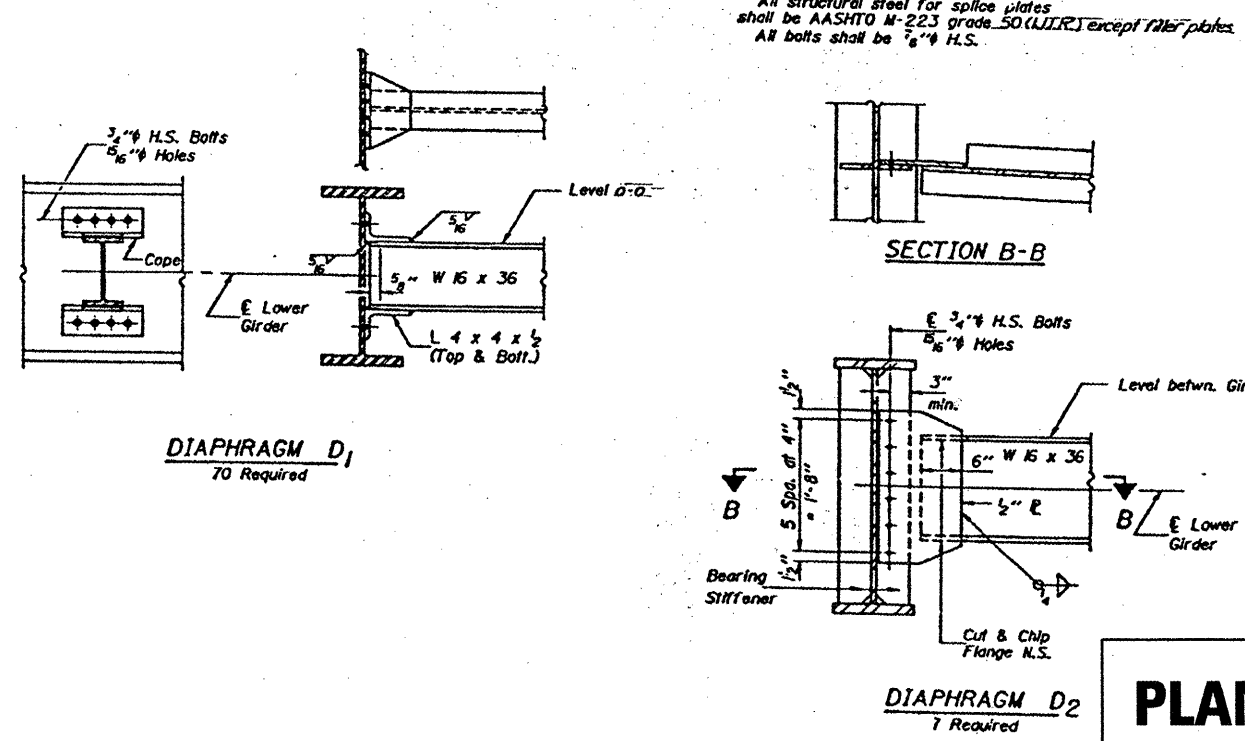
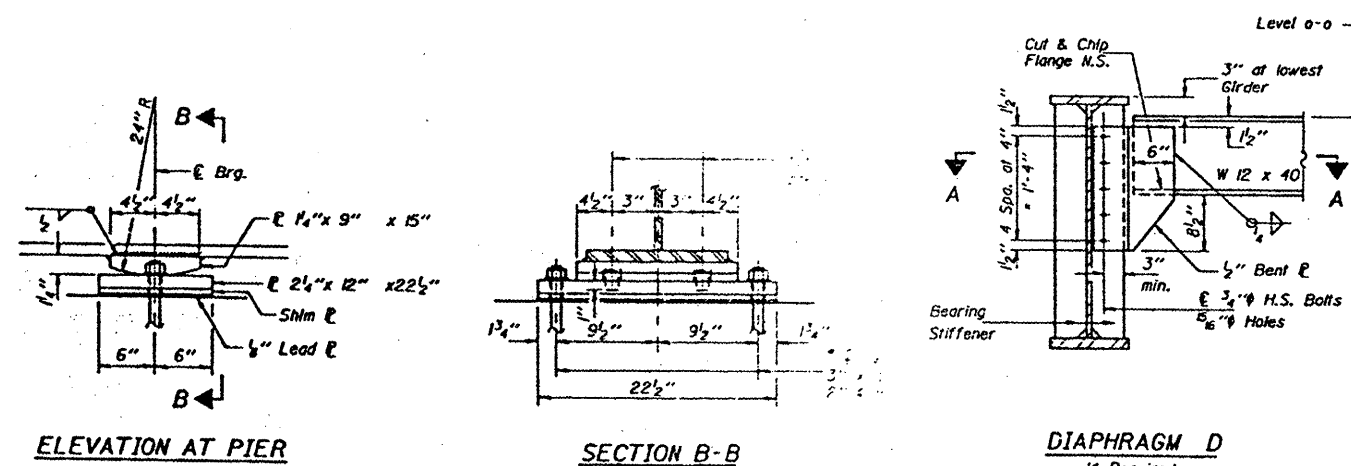
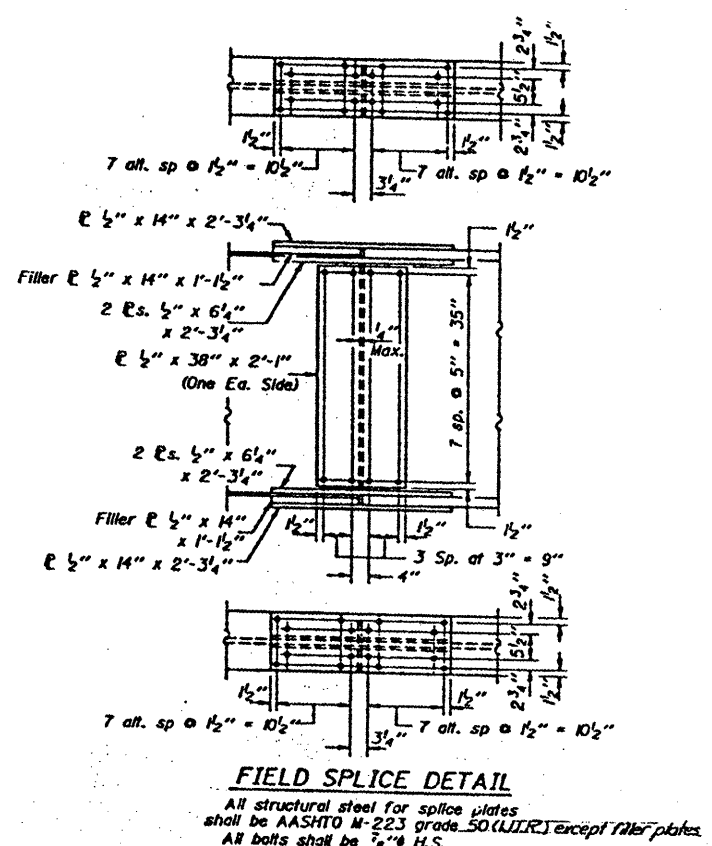
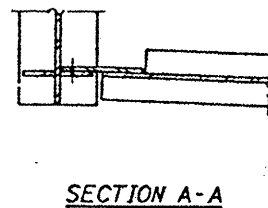
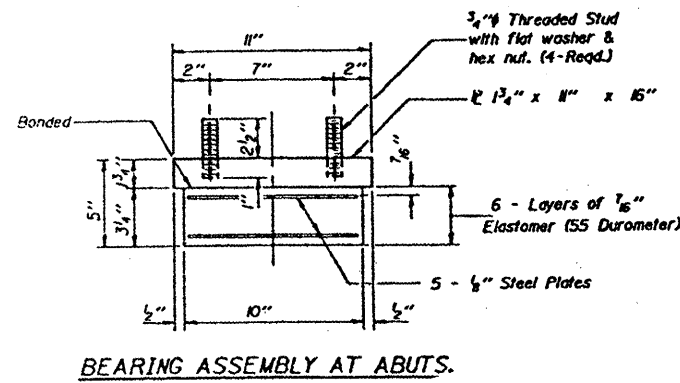
FOR INFORMATION ONLY - 090-0136

BEARINGS & DIAPHRAGMS

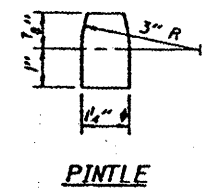
ROUTE	SECTION	COUNTY	TOTAL SHEETS	SHEET NO.
I-155	[90-(107,107-2,108)HB]P	TAZEWELL	13	10



TYPE I ELASTOMERIC EXP. BRG.



FIXED BEARING



PLAN SHEETS