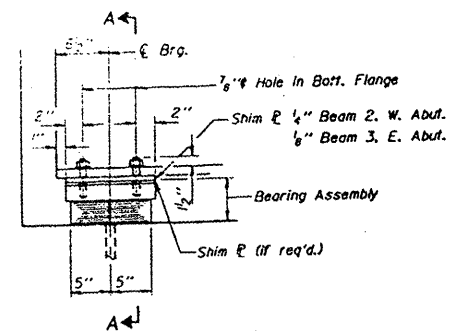


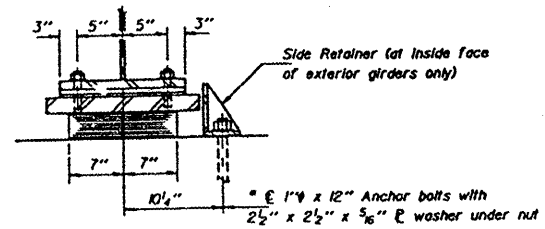
FOR INFORMATION ONLY - 090-0137

BEARINGS & DIAPHRAGMS

ROUTE	SECTION	COUNTY	TOTAL SHEETS	SHEET NO.
I - 155	[90-(107,107-2,108)HB]P	TAZEWELL	13	13

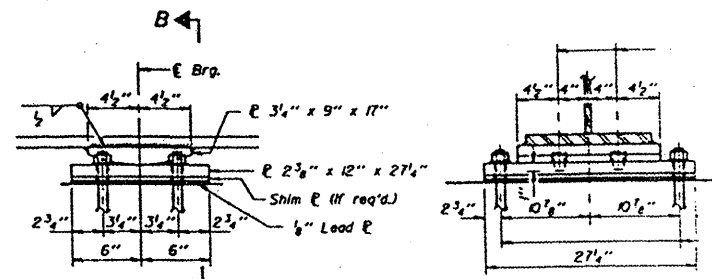


ELEVATION AT ABUTS.



SECTION A-A

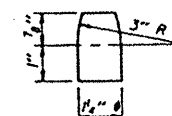
* Notes: Anchor bolts at fixed bearings may be built into the masonry. See sheet #10 of 14 for Anchor Bolt Installation.



ELEVATION AT PIER

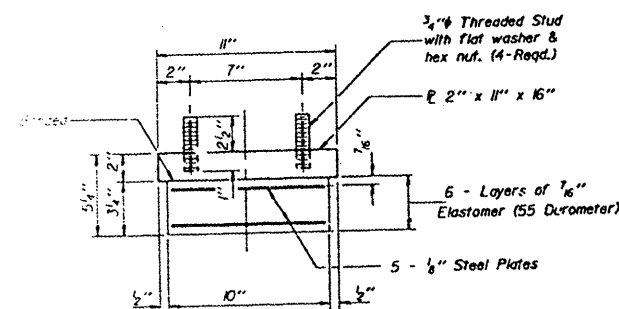
SECTION B-B

FIXED BEARING

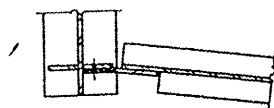


PINTLE

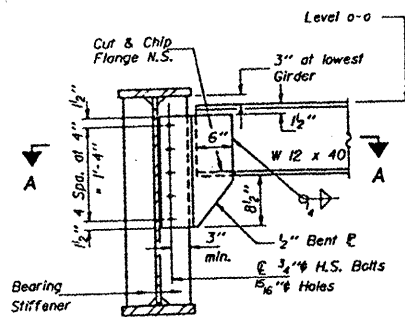
TYPE I ELASTOMERIC EXP. BRG.



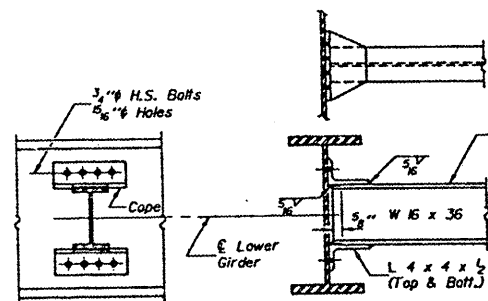
BEARING ASSEMBLY WEST ABUT.



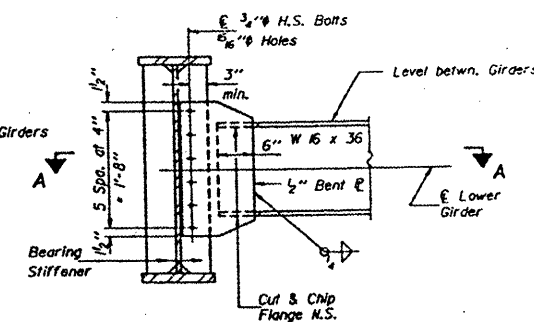
SECTION A-A



DIAPHRAGM D
5 Required



DIAPHRAGM D1
18 Required



DIAPHRAGM D2
3 Required

PLAN SHEETS