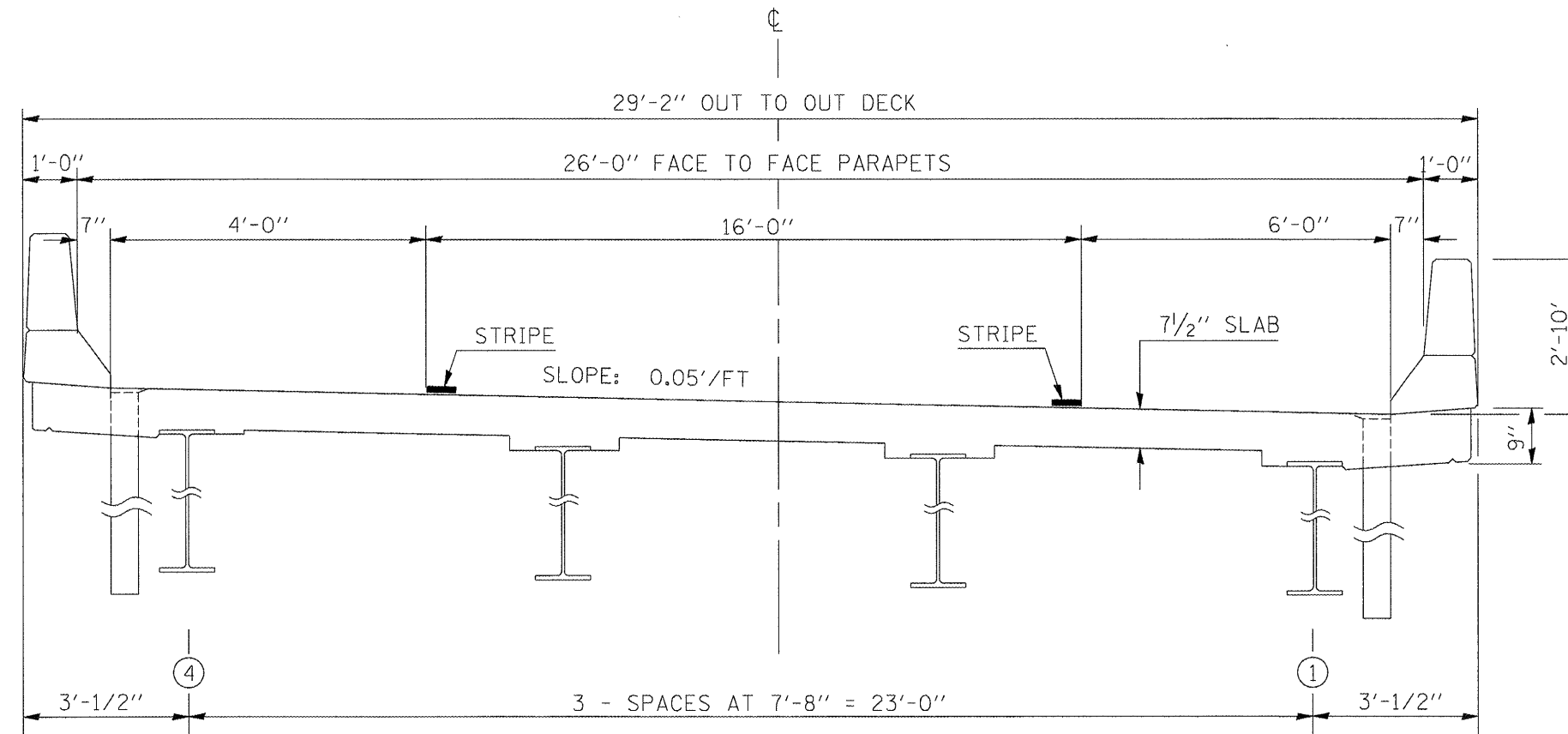


EXISTING STRUCTURE TYPICAL SECTION

RAMP A LOOKING SOUTH
STRUCTURE # 057-0214



FILE NAME =	USER NAME = buckjesj	DESIGNED -	REVISED -
et\pwork\PMIDOT\BUCKLESJJ\d0128799\0570797-SHT-TYPICAL.dgn		DRAWN <i>JJB</i>	REVISED -
		CHECKED -	REVISED -
		DATE -	REVISED -

**STATE OF ILLINOIS
DEPARTMENT OF TRANSPORTATION**

EXISTING TYPICAL SECTION			
SCALE:	SHEET NO. OF SHEETS	STA.	TO STA.

F.A. RTE.	SECTION	COUNTY	TOTAL SHEETS	SHEET NO.
39	57-21	MCLEAN	18	6
CONTRACT NO. 70797				
ILLINOIS FED. AID PROJECT				