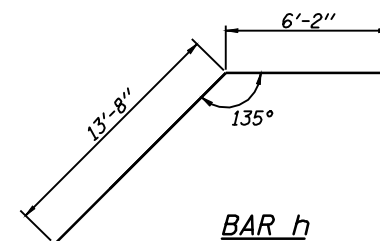
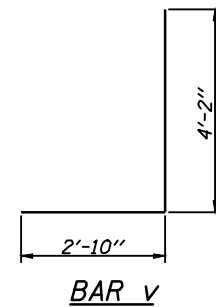
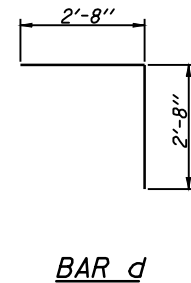
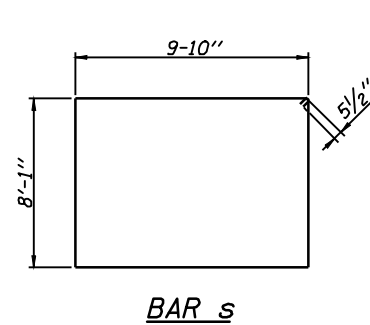
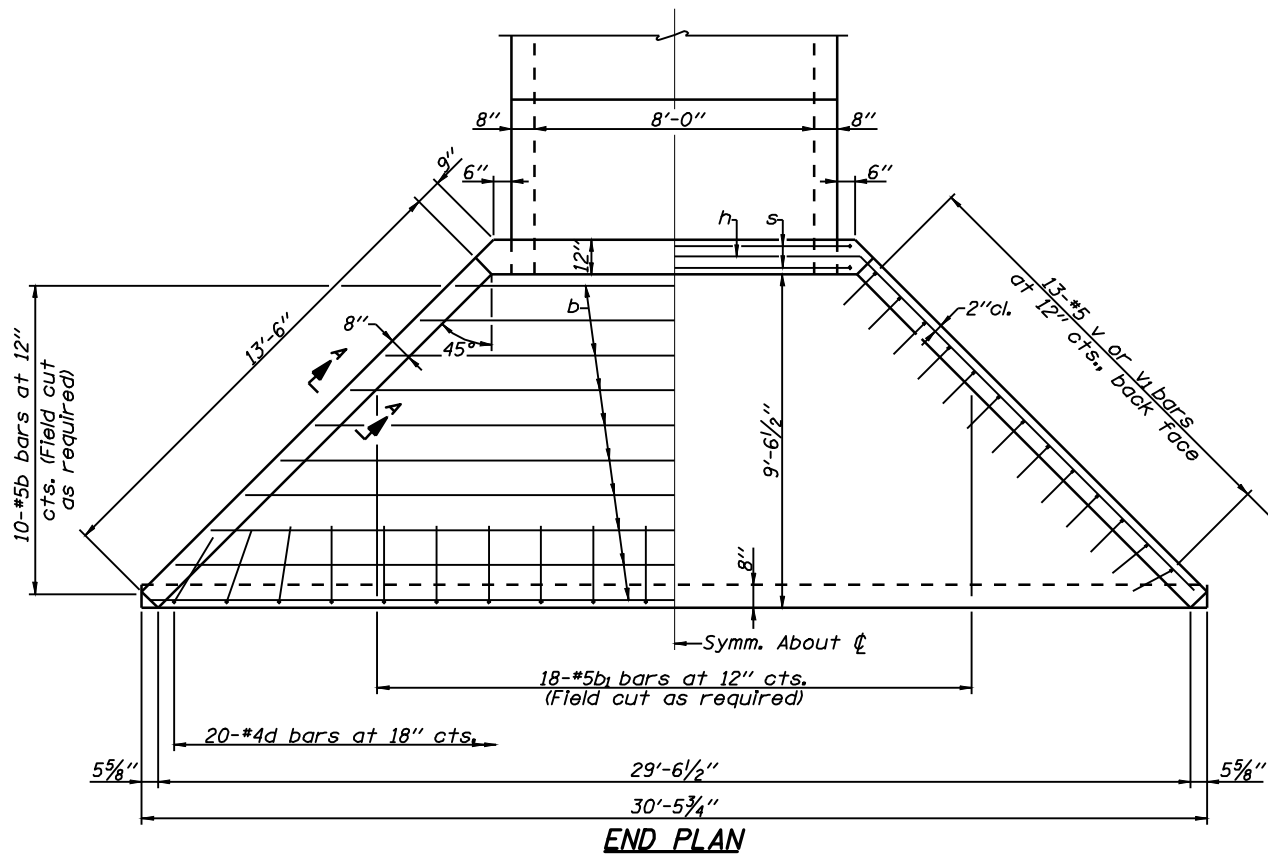


BILL OF MATERIAL TWO END SECTIONS

Bar	No.	Size	Length	Shape
b	24	#5	30'-0"	—
b ₁	36	#5	9'-2"	—
d	40	#4	5'-4"	┘
h	4	#5	19'-10"	┘
h ₁	20	#5	13'-8"	—
s	4	#5	36'-9"	□
v	52	#5	7'-0"	┘
v ₁	52	#5	5'-8"	—
Concrete Box Culverts			Cu. Yd.	28.9
Reinforcement Bars			Pound	2445

(Bill of Material for information only. Concrete and reinforcement included with Box Culvert End Sections.)

**CULVERT DETAILS
ASH GROVE ROAD OVER
WATERWAY NO. 1
STA. 17+43.86
SANGAMON COUNTY**



Allen Henderson & Associates, Inc.
Civil and Structural Engineers Springfield, IL
62708 Phone: (217)544-8033 IL Design Firm
No. 184-001907

SHEET NO. 2
3 SHEETS

F.A.U. RTE.	SECTION	COUNTY	TOTAL SHEETS	SHEET NO.
8012	21(I-3)	SANGAMON	147	63
CONTRACT NO. 72A02				
FED. ROAD DIST. NO.		ILLINOIS FED. AID PROJECT		