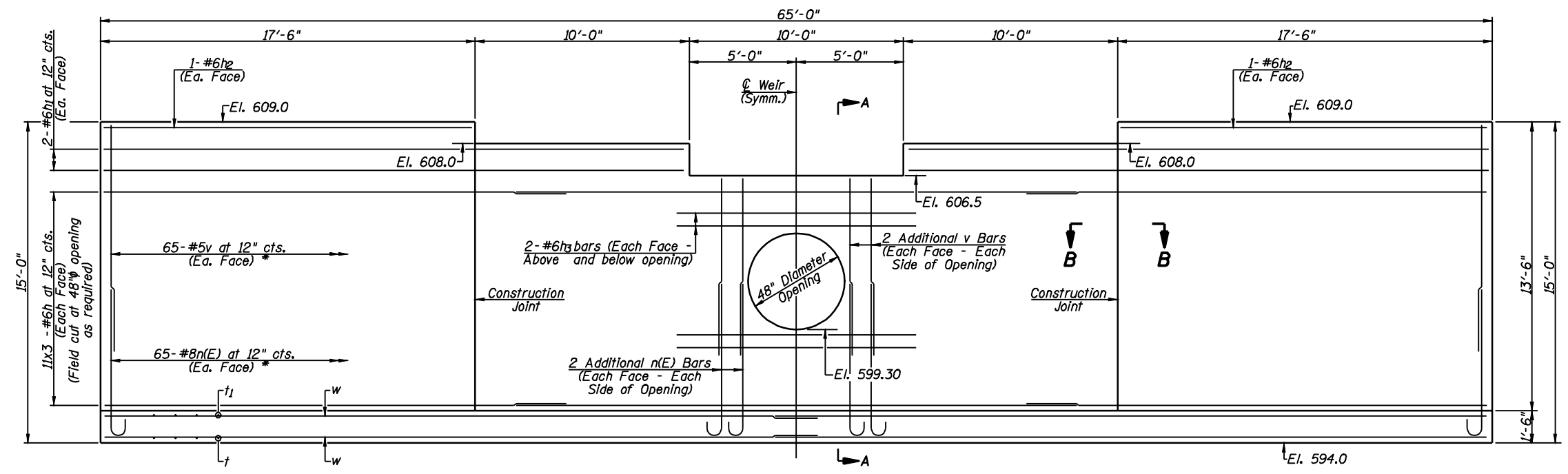


PLAN

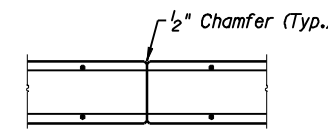


ELEVATION

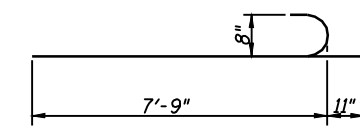
* Field cut v and n(E) bars below and above 48" diameter opening as required

Maximum Soil Pressure Under Footing = 1,640 psf

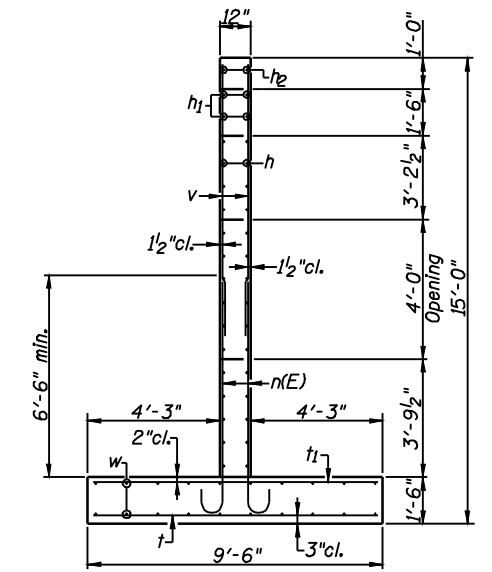
MIN. BAR LAPS
 #5 bars = 2'-2"
 #6 bars = 3'-7"



SECTION B-B



BAR n(E)



SECTION A-A

BILL OF MATERIAL

Bar	No.	Size	Length	Shape	
h	66	#6	24'-0"	—	
h1	8	#6	27'-2"	—	
h2	4	#6	17'-2"	—	
h3	8	#6	10'-0"	—	
n(E)	138	#8	8'-8"	⌋	
t	65	#7	9'-2"	—	
t1	65	#6	9'-2"	—	
v	138	#5	10'-4"	—	
w	40	#5	33'-5"	—	
Reinforcement Bars, Epoxy Coated				Pound	3195
Reinforcement Bars				Pound	7925
Concrete Structures				Cu. Yd.	65.1
Structure Excavation				Cu. Yd.	310

WEIR DETAILS
WEIR AT DETENTION AREA
STA. 108+99.44 (S. ACCESS RD. BASE LINE)
SANGAMON COUNTY

Allen Henderson & Associates, Inc. Civil and Structural Engineers Springfield, IL 62708 Phone: (217)544-8033 IL Design Firm No. 184-001907	SHEET NO. 2	F.A.U. RTE. 8012	SECTION 21(I-3)	COUNTY SANGAMON	TOTAL SHEETS 147	SHEET NO. 70
	3 SHEETS	CONTRACT NO. 72A02				
		FED. ROAD DIST. NO.	ILLINOIS FED. AID PROJECT			