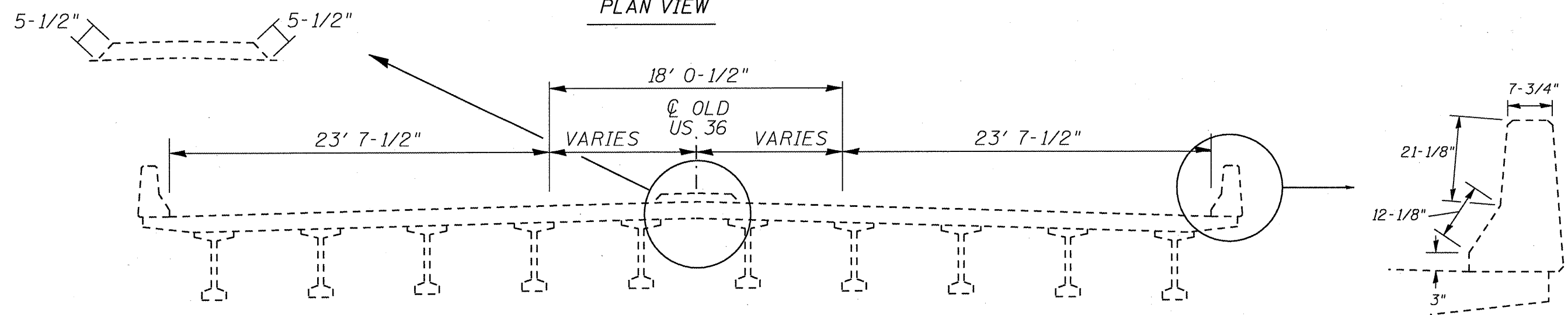


PLAN VIEW



CROSS SEC. LOOKING NORTH

TOTAL WIDTH = $(23' 7-1/2" \times 2) + 18' 0-1/2" + (5-1/2" \times 2) + ((3" + 12-1/8" + 21-1/8" + 7-3/4") \times 2) = 73.5'$
 TOTAL LENGTH = $247' 8-1/2" = 247.7'$
 TOTAL AREA = $247.7' \times 73.5' = 18206 \text{ SQ FT}$
 $18206 \text{ SQ FT} / 9 = 2023 \text{ SQ YD}$

BRIDGE DECK CONCRETE CRACK SEALER = 0'

NOT TO SCALE

SN 069-0078
VARIOUS ROUTES
D6 BRIDGE DECK SEALING 2009
ADAMS, CHRISTIAN, MORGAN, SANG.