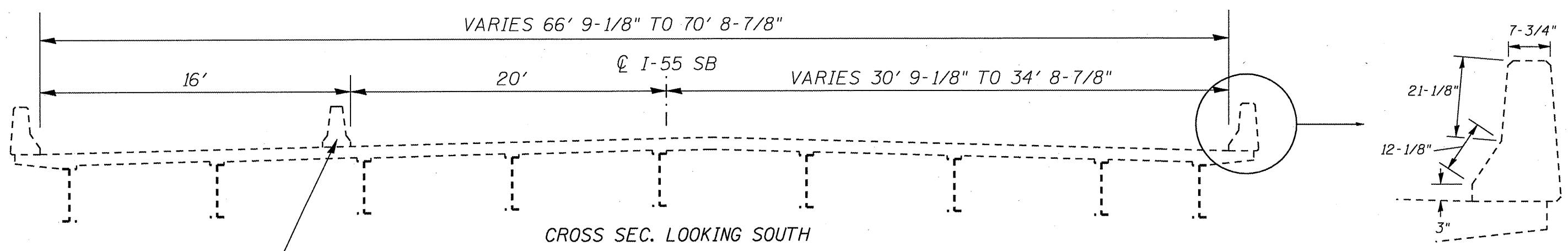


PLAN VIEW



CROSS SEC. LOOKING SOUTH

TEMPORARY CONCRETE BARRIER

SOUTH WIDTH = $66' 9-1/8" + ((3" + 12-1/8" + 21-1/8" + 7-3/4") \times 2) = 74.1'$
 NORTH WIDTH = $70' 8-7/8" + ((3" + 12-1/8" + 21-1/8" + 7-3/4") \times 2) = 78.1'$
 AVERAGE WIDTH = 76.1'
 TOTAL LENGTH = 238.3'
 TOTAL AREA = $238.3' \times 76.1' = 18135 \text{ SQ FT}$
 $18135 \text{ SQ FT} / 9 = 2015 \text{ SQ YD}$

BRIDGE DECK CONCRETE CRACK SEALER = 1444'

NOT TO SCALE

SN 084-0014
VARIOUS ROUTES
D6 BRIDGE DECK SEALING 2009
ADAMS, CHRISTIAN, MORGAN, SANG.