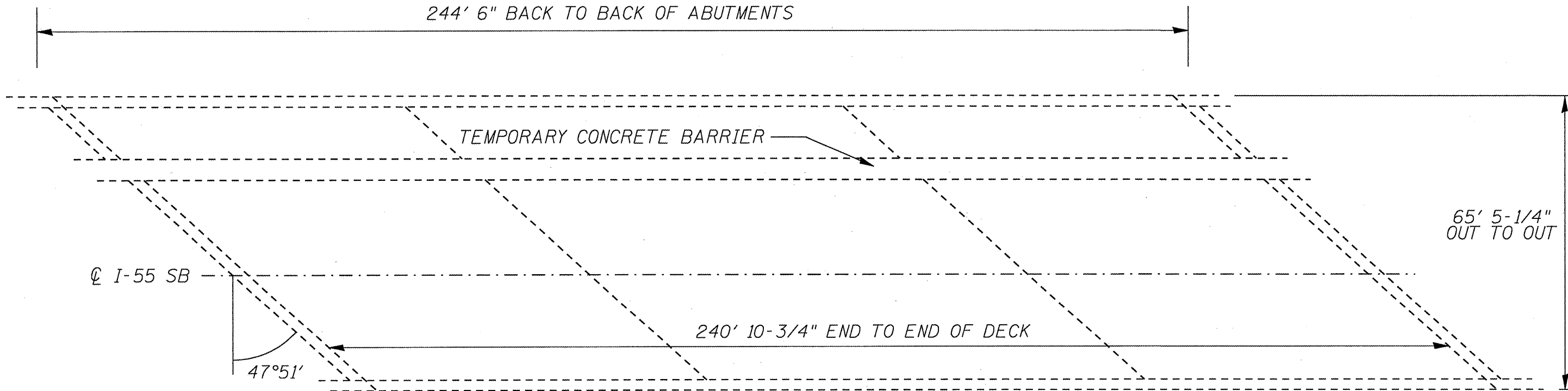
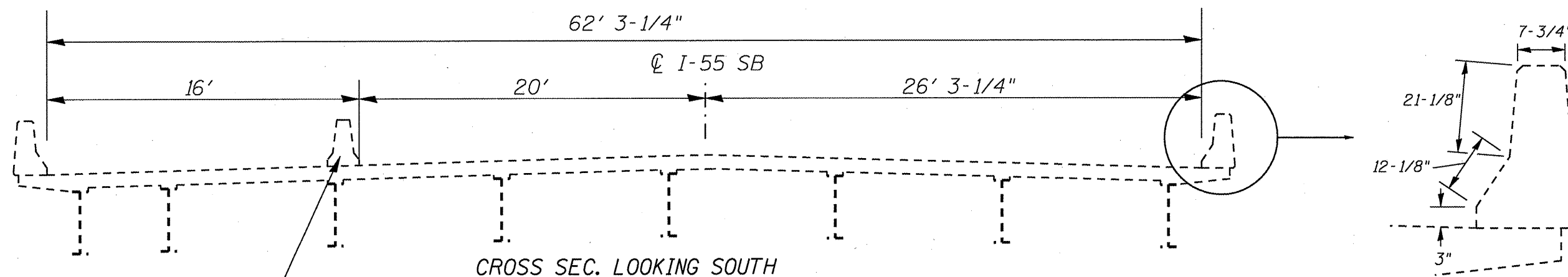




244' 6" BACK TO BACK OF ABUTMENTS



PLAN VIEW



CROSS SEC. LOOKING SOUTH

TEMPORARY CONCRETE BARRIER

TOTAL WIDTH =  $62' 3-1/4" + ((3" + 12-1/8" + 21-1/8" + 7-3/4") \times 2) = 69.6'$   
 TOTAL LENGTH = 240.9'  
 TOTAL AREA =  $240.9' \times 69.6' = 16767 \text{ SQ FT}$   
 $16767 \text{ SQ FT} / 9 = 1863 \text{ SQ YD}$

BRIDGE DECK CONCRETE CRACK SEALER = 1470'

NOT TO SCALE

SN 084-0016  
VARIOUS ROUTES  
D6 BRIDGE DECK SEALING 2009  
ADAMS, CHRISTIAN, MORGAN, SANG.