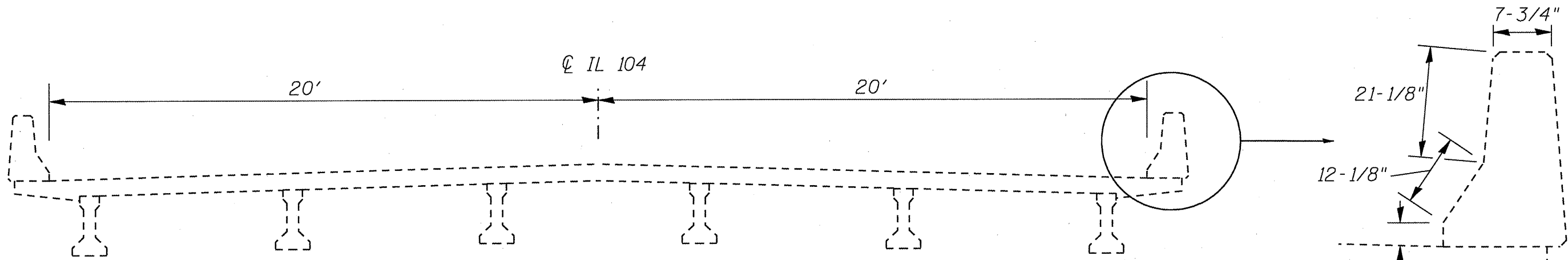


PLAN VIEW



CROSS SECTION

TOTAL WIDTH = $(20' + 3'' + 12\text{-}1/8'' + 21\text{-}1/8'' + 7\text{-}3/4'') \times 2 = 47.3'$
 TOTAL LENGTH = 144.5'
 TOTAL AREA = $144.5' \times 47.3' = 6835 \text{ SQ FT}$
 $6835 \text{ SQ FT} / 9 = 759 \text{ SQ YD}$
 BRIDGE DECK CONCRETE CRACK SEALER = 160'

NOT TO SCALE
 SN 084-0065
 VARIOUS ROUTES
 D6 BRIDGE DECK SEALING 2009
 ADAMS, CHRISTIAN, MORGAN, SANG.