

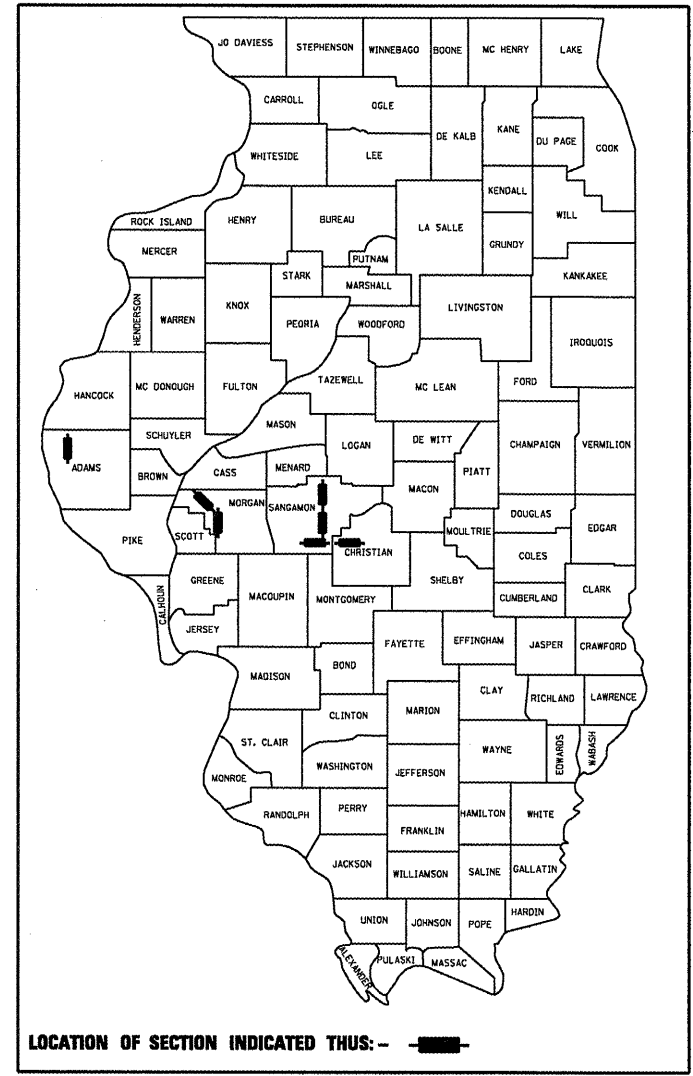
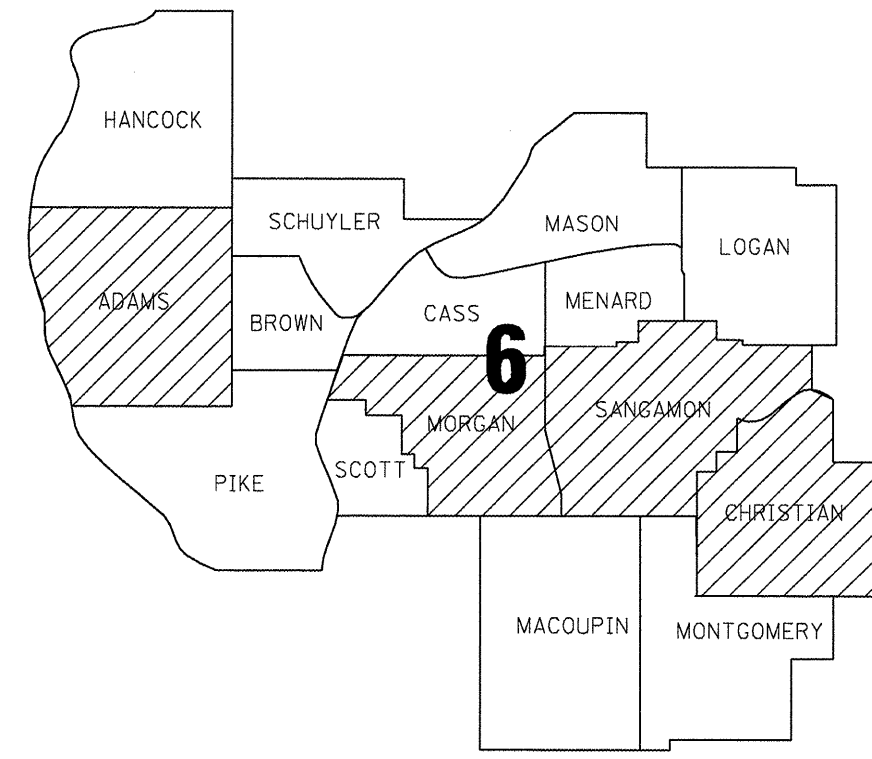
STATE OF ILLINOIS  
 DEPARTMENT OF TRANSPORTATION  
 DIVISION OF HIGHWAYS

**PROPOSED  
 HIGHWAY PLANS**

VARIOUS ROUTES  
 SECTION D-6 BRIDGE DECK SEALING 2009

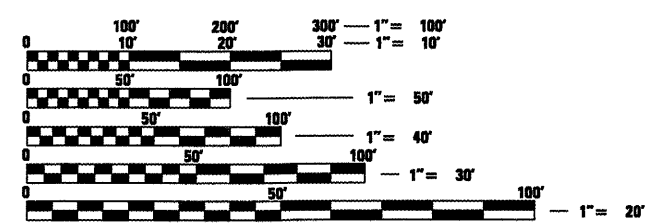
**BRIDGE DECK SEALING  
 ADAMS, CHRISTIAN, MORGAN, & SANGAMON COUNTIES**

C-96-070-09



F.A.P. RTE.	SECTION	COUNTY	TOTAL SHEETS	SHEET NO.
VAR. D6 BR DECK SEALING 2009		VARIOUS	29	1
FED. ROAD DIST. NO. 6	ILLINOIS	CONTRACT NO. 72C76		

FOR INDEX OF SHEETS, SEE SHEET NO. 2



FULL SIZE PLANS HAVE BEEN PREPARED USING STANDARD ENGINEERING SCALES. REDUCED SIZED PLANS WILL NOT CONFORM TO STANDARD SCALES. IN MAKING MEASUREMENTS ON REDUCED PLANS, THE ABOVE SCALES MAY BE USED.

J.U.L.I.E.  
 JOINT UTILITY LOCATION INFORMATION FOR EXCAVATION  
 1-800-892-0123  
 OR 811

BRIDGE MAINTENANCE ENGINEER: STEVE BERAN  
 BRIDGE INSPECTION ENGINEER: DAVE COPENBARGER

GROSS LENGTH = NA  
 NET LENGTH = NA

CONTRACT NO. 72C76

STATE OF ILLINOIS  
 DEPARTMENT OF TRANSPORTATION  
 DIVISION OF HIGHWAYS

SUBMITTED *February 6, 2009*  
*Roger Z. Owicki*  
 DEPUTY DIRECTOR OF HIGHWAYS, REGION ENGINEER

*March 13, 2009*  
*Charles G. Ingersoll*  
 ENGINEER OF DESIGN AND ENVIRONMENT

*March 13, 2009*  
*Christine M. Reed*  
 DIRECTOR OF HIGHWAYS, CHIEF ENGINEER

**PRINTED BY THE AUTHORITY  
 OF THE STATE OF ILLINOIS**

INDEX OF SHEETS

- 1 COVER SHEET
- 2 INDEX, GENERAL NOTES, STANDARDS & SIGNATURES
- 3 SUMMARY OF QUANTITIES
- 4-7 BRIDGE LOCATION MAPS
- 8-29 BRIDGE PLANS

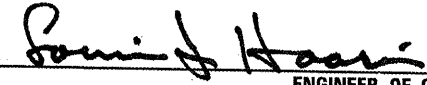
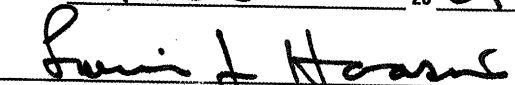

STANDARDS

- 701001-02
- 701006-02
- 701101-02
- 701106-02
- 701201-03
- 701400-03
- 701406-05
- 701411-05
- 701446-01
- 701901-01

GENERAL NOTES

THE BRIDGE DECK CONCRETE CRACK SEALER SHALL BE APPLIED PRIOR TO THE CONCRETE SEALER AND SHALL BE APPLIED TO THE BRIDGE DECK ONLY. THE CONCRETE SEALER SHALL BE APPLIED TO THE ENTIRE TOP SURFACE OF THE DECK, INCLUDING THE INSIDE FACES AND TOPS OF THE PARAPETS.

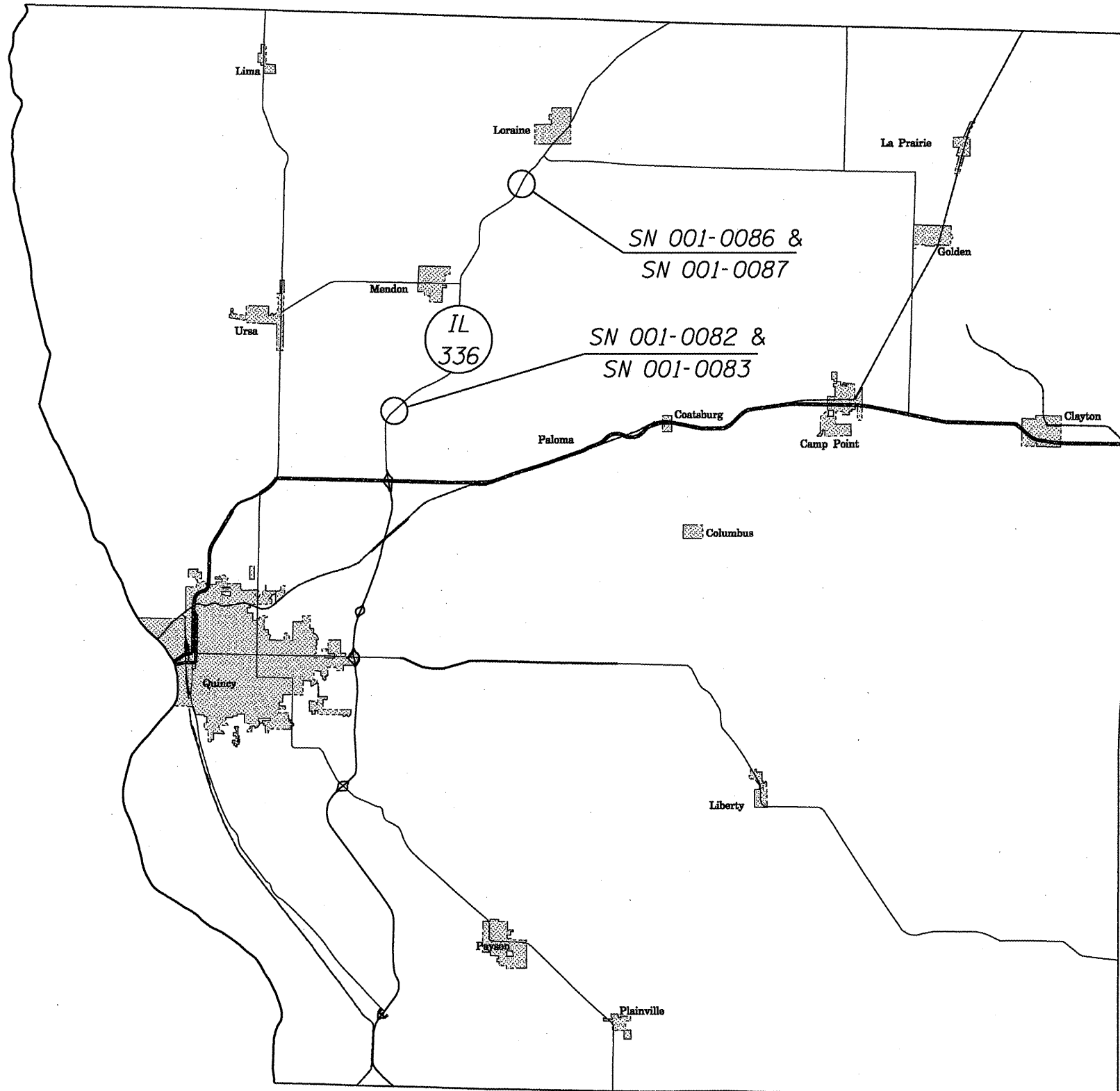
WATER BASED CONCRETE SEALERS WILL NOT BE ALLOWED.

STATE OF ILLINOIS DEPARTMENT OF TRANSPORTATION DIVISION OF HIGHWAYS DISTRICT 6		
EXAMINED	Feb 5	20 09
 ENGINEER OF OPERATIONS		
EXAMINED	Feb 5	20 09
 ENGINEER OF PROGRAM IMPLEMENTATION		
EXAMINED	Feb 6	20 09
 ENGINEER OF PROGRAM DEVELOPMENT		

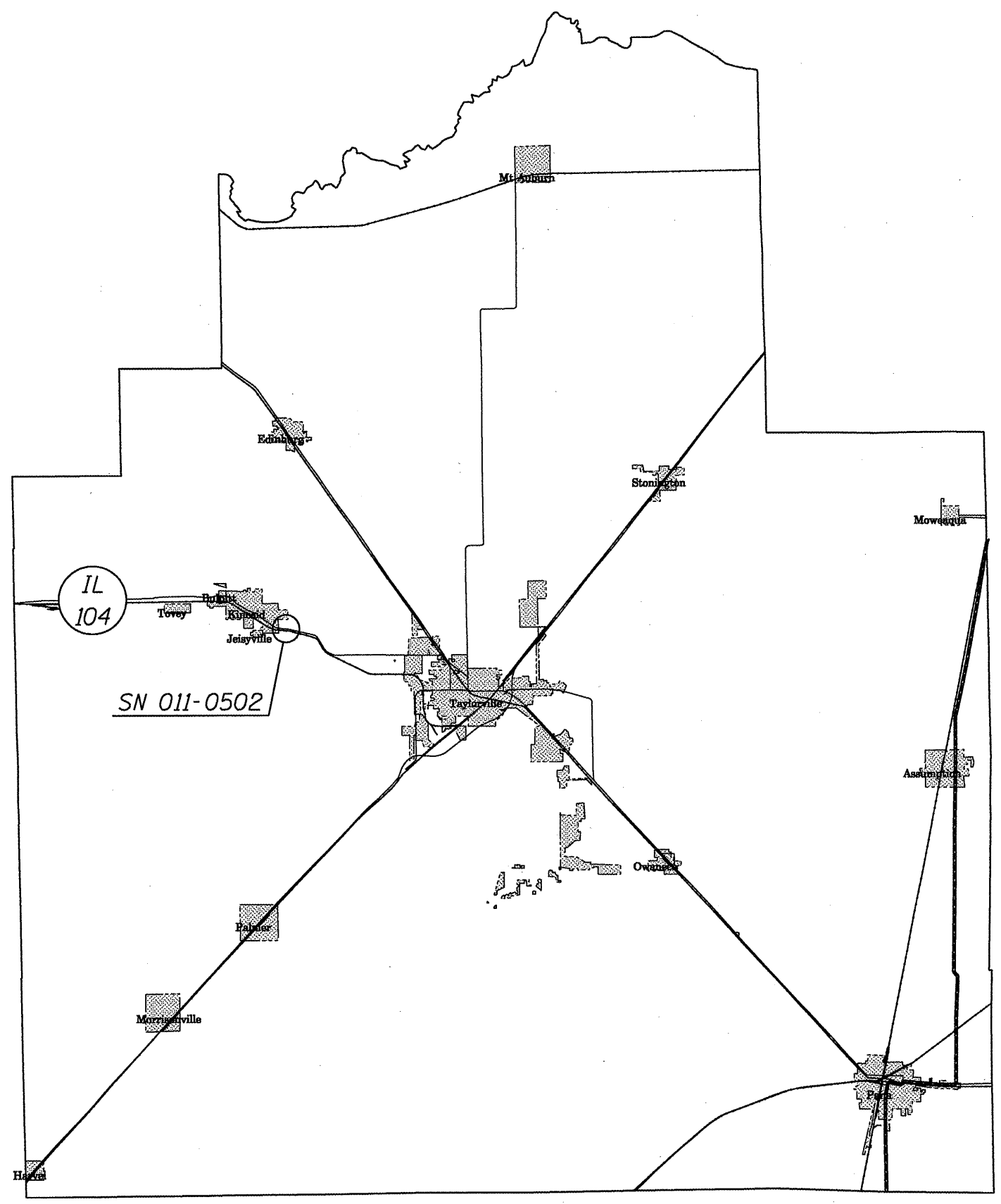
INDEX, STDS, & GENERAL NOTES  
 VARIOUS ROUTES  
 D6 BRIDGE DECK SEALING 2009  
 ADAMS, CHRISTIAN, MORGAN, SANG.

Rev.

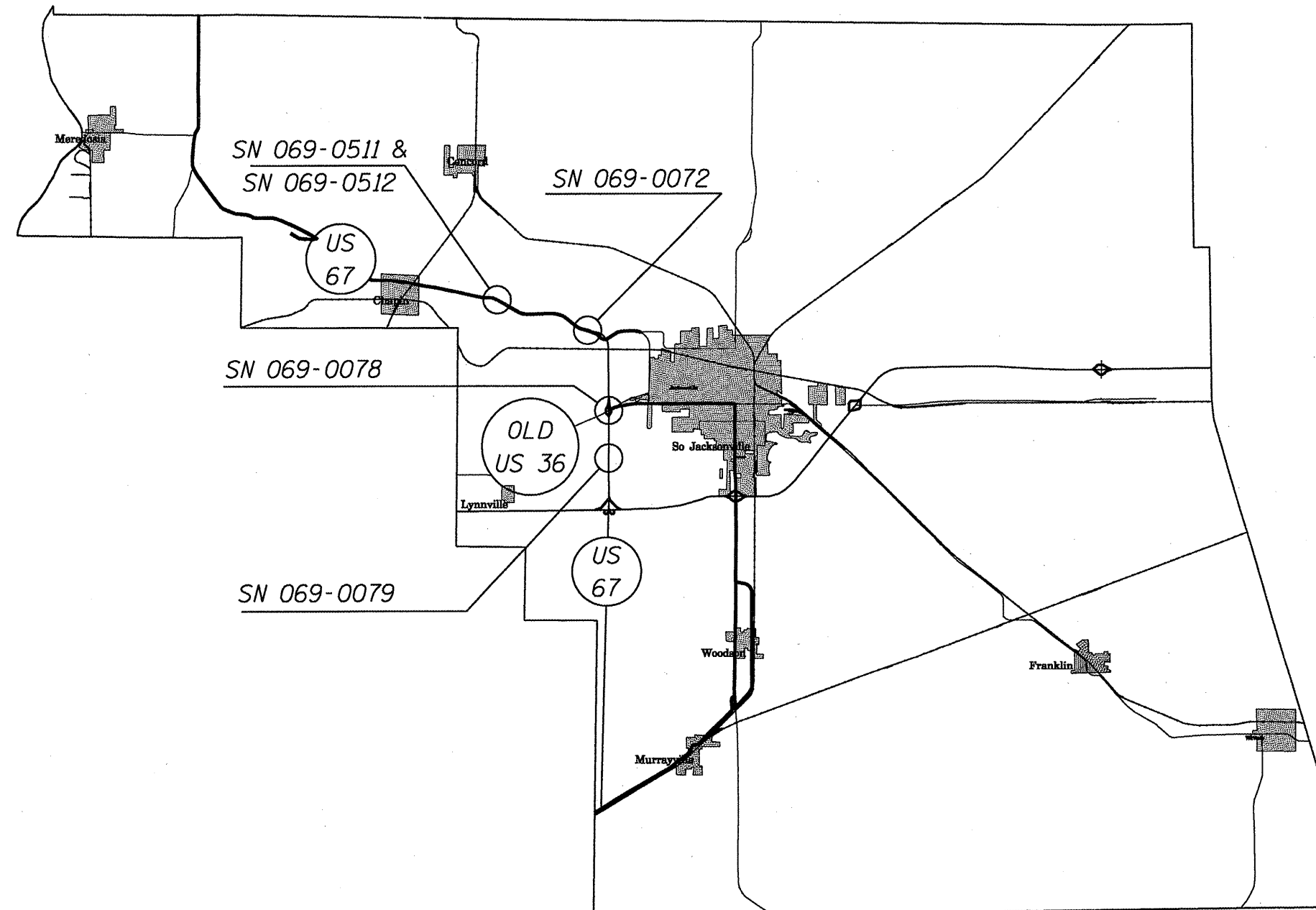




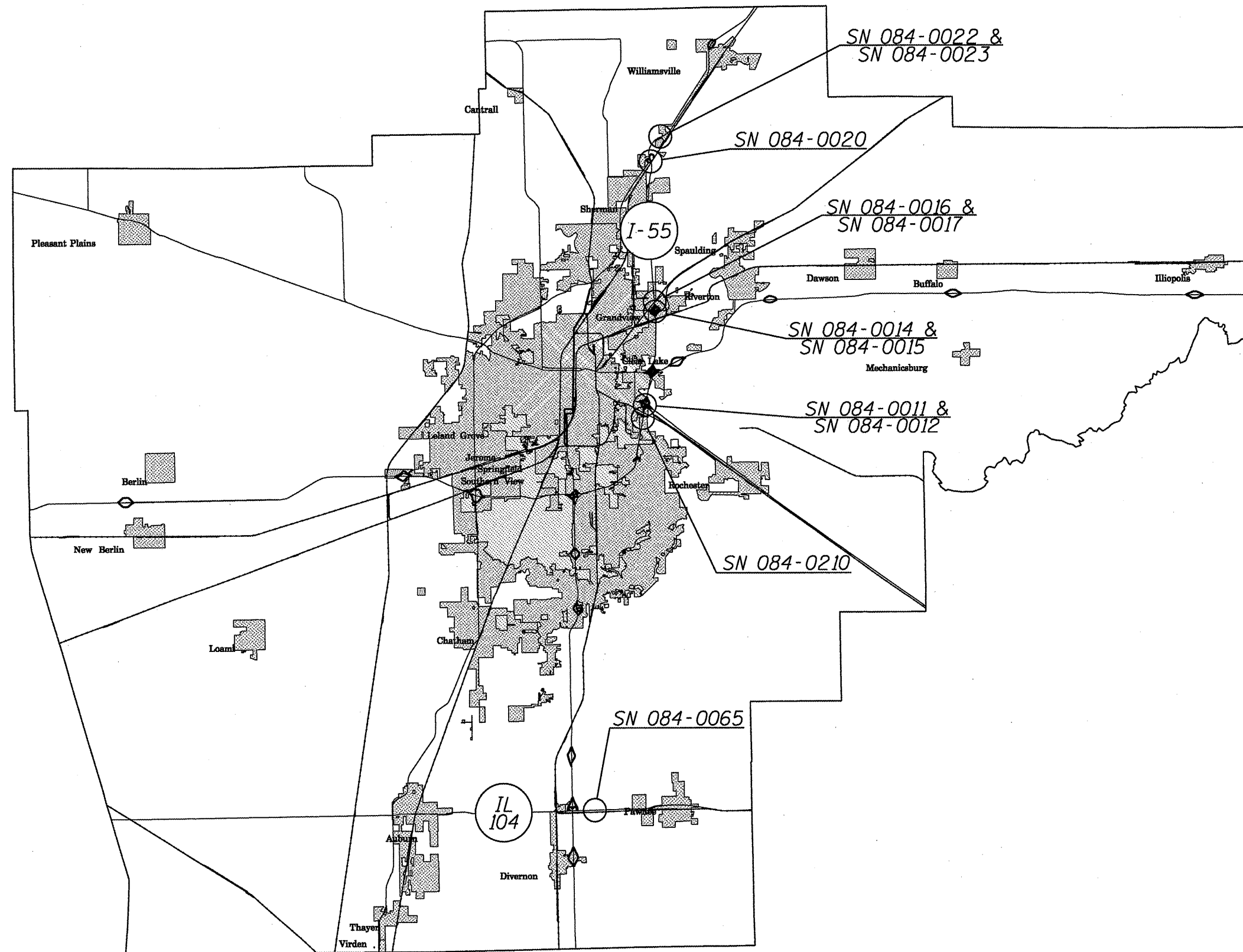
BRIDGE LOCATION MAP  
VARIOUS ROUTES  
D6 BRIDGE DECK SEALING 2009  
ADAMS COUNTY



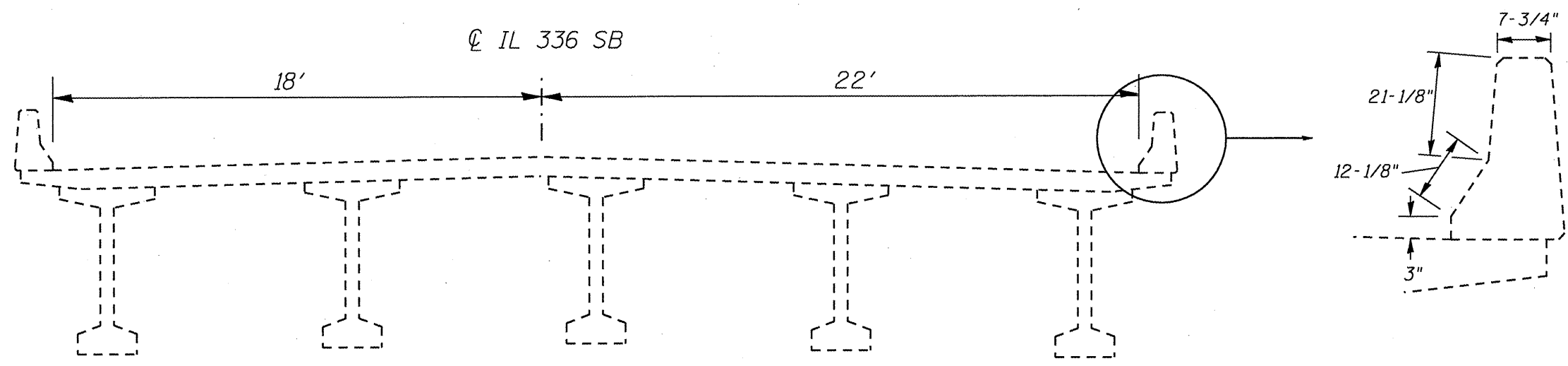
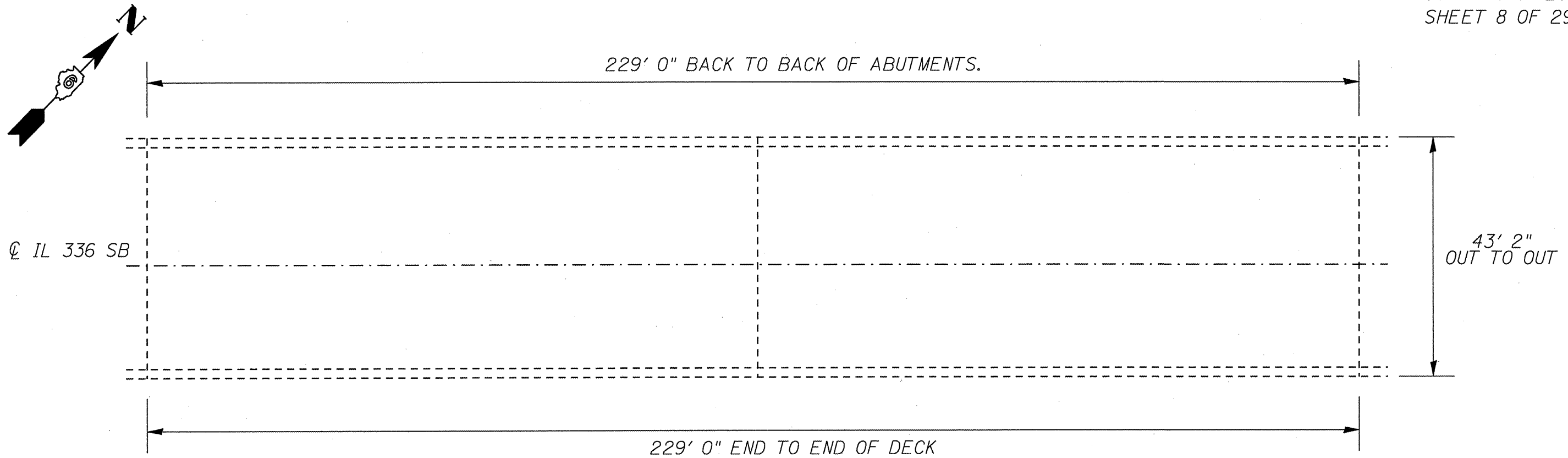
BRIDGE LOCATION MAP  
VARIOUS ROUTES  
D6 BRIDGE DECK SEALING  
CHRISTIAN COUNTY



BRIDGE LOCATION MAP  
VARIOUS ROUTES  
D6 BRIDGE DECK SEALING  
MORGAN COUNTY



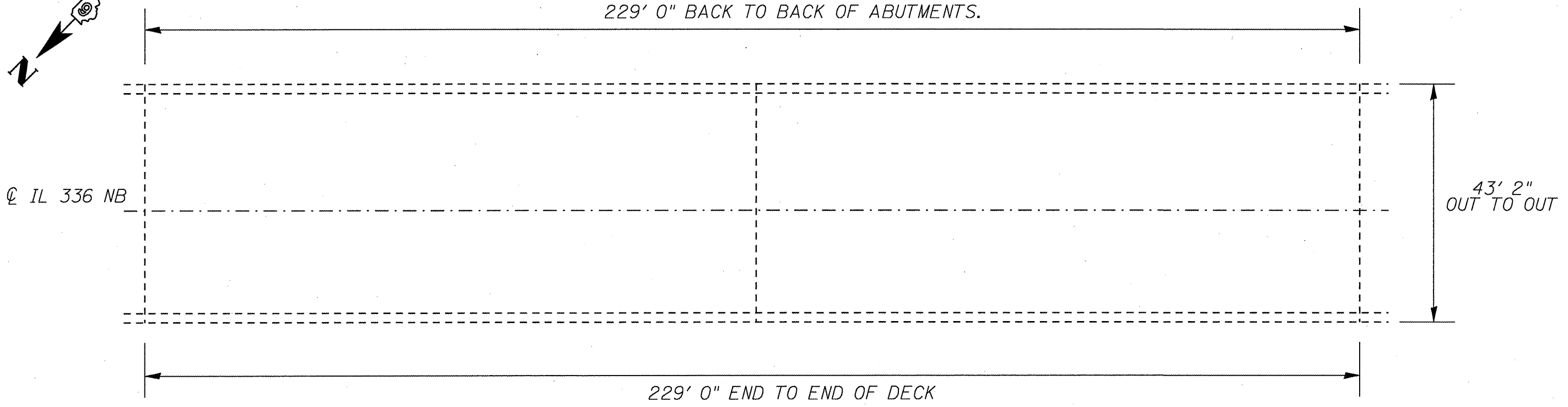
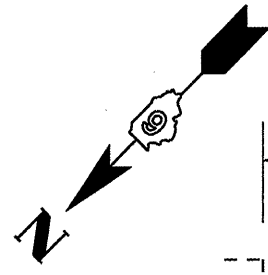
BRIDGE LOCATION MAP  
VARIOUS ROUTES  
D6 BRIDGE DECK SEALING 2009  
SANGAMON COUNTY



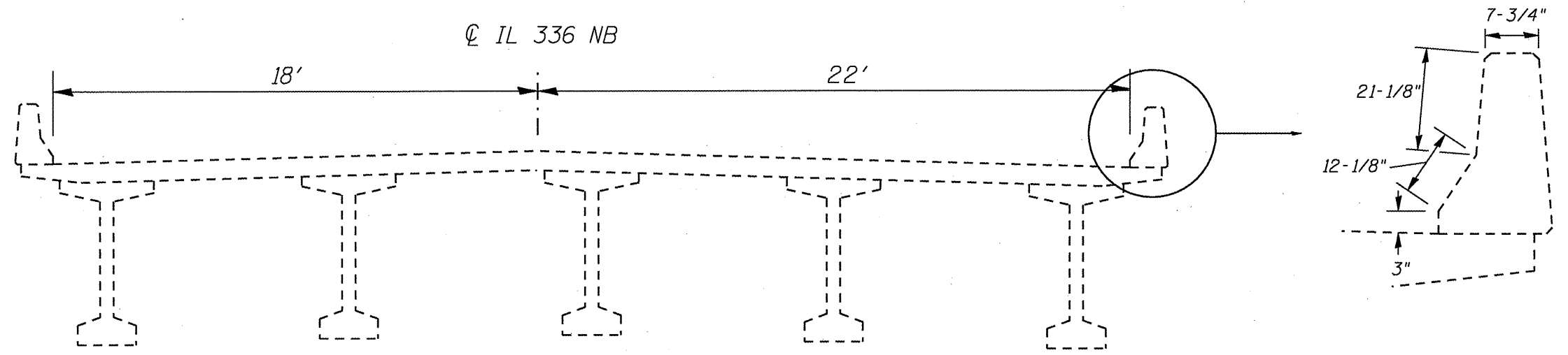
TOTAL WIDTH = 18' + 22' + ((3" + 12-1/8" + 21-1/8" + 7-3/4") x 2) = 47.3'  
 TOTAL LENGTH = 229'  
 TOTAL AREA = 229' x 47.3' = 10832 SQ FT  
 10832 SQ FT / 9 = 1204 SQ YD  
 BRIDGE DECK CONCRETE CRACK SEALER = 0'

NOT TO SCALE  
 SN 001-0082  
 VARIOUS ROUTES  
 D6 BRIDGE DECK SEALING 2009  
 ADAMS, CHRISTIAN, MORGAN, SANG.





PLAN VIEW



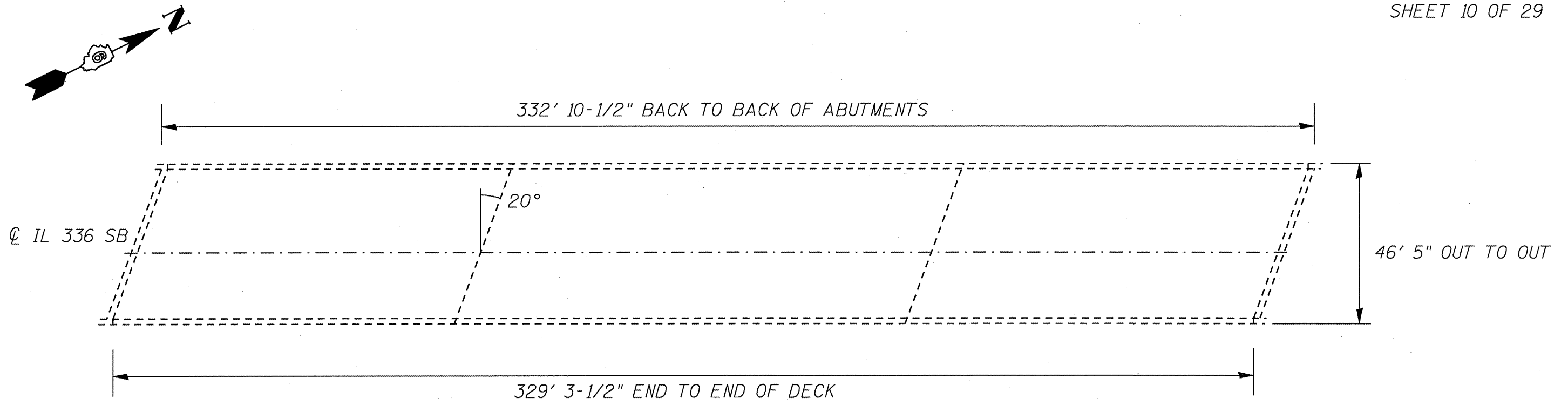
CROSS SEC. LOOKING NORTH

TOTAL WIDTH = 18' + 22' + ((3" + 12-1/8" + 21-1/8" + 7-3/4") x 2) = 47.3'  
 TOTAL LENGTH = 229'  
 TOTAL AREA = 229' x 47.3' = 10832 SQ FT  
 10832 SQ FT / 9 = 1204 SQ YD

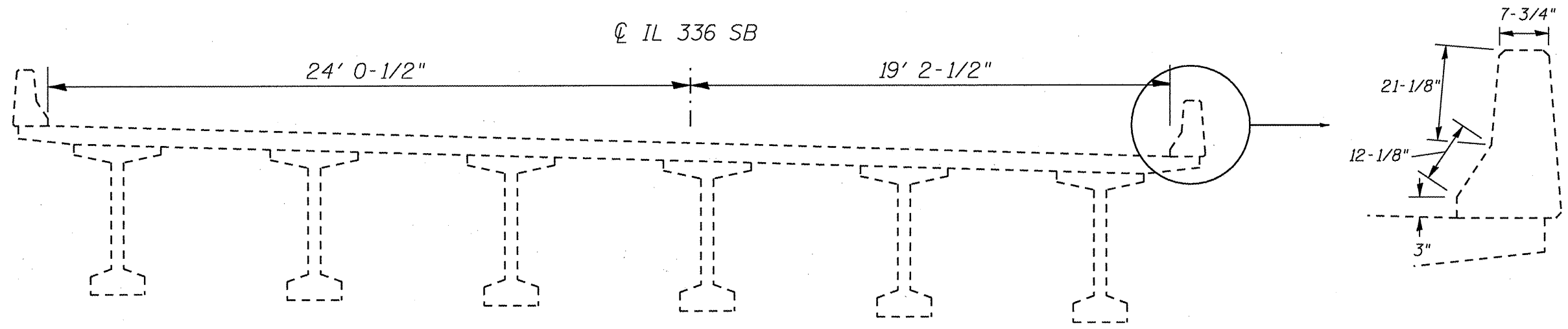
BRIDGE DECK CONCRETE CRACK SEALER = 0'

NOT TO SCALE

SN 001-0083  
 VARIOUS ROUTES  
 D6 BRIDGE DECK SEALING 2009  
 ADAMS, CHRISTIAN, MORGAN, SANG.



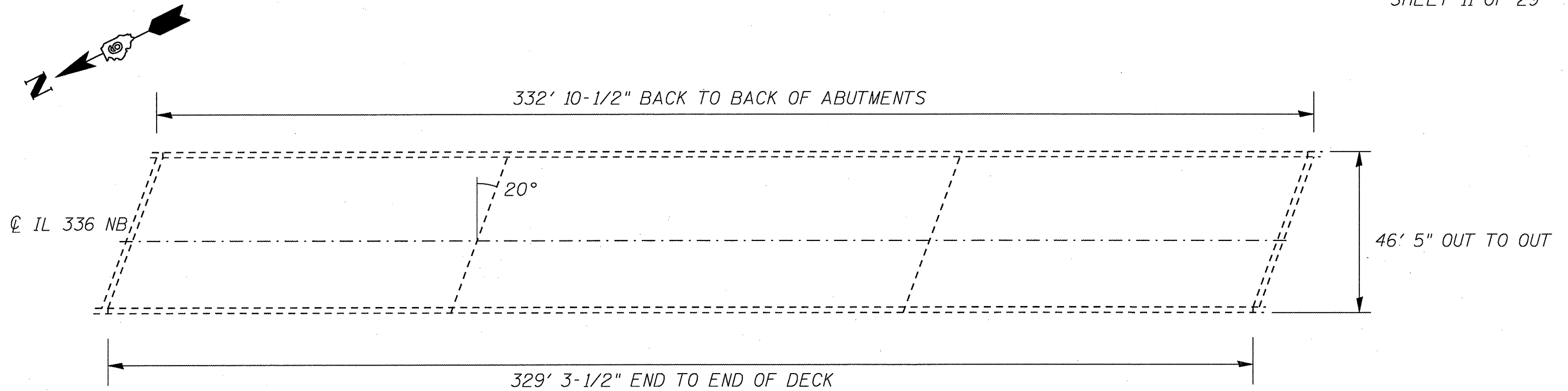
PLAN VIEW



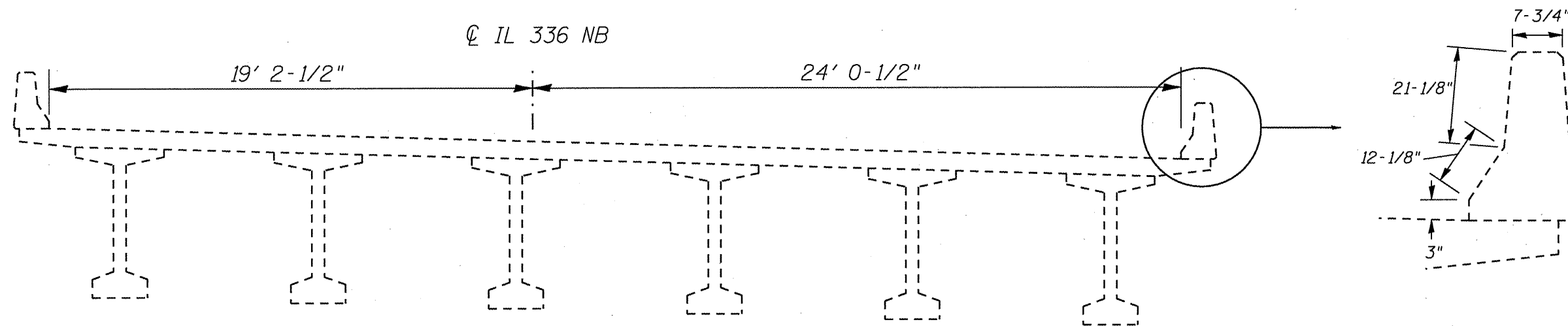
CROSS SEC. LOOKING NORTH

TOTAL WIDTH = 24' 0-1/2" + 19' 2-1/2" + ((3" + 12-1/8" + 21-1/8" + 7-3/4") x 2) = 50.5'  
 TOTAL LENGTH = 329' 3-1/2" = 329.3'  
 TOTAL AREA = 329.3' x 50.5' = 16630 SQ FT  
 16630 SQ FT / 9 = 1848 SQ YD  
 BRIDGE DECK CONCRETE CRACK SEALER = 0'

NOT TO SCALE  
 SN 001-0086  
 VARIOUS ROUTES  
 D6 BRIDGE DECK SEALING 2009  
 ADAMS, CHRISTIAN, MORGAN, SANG.



PLAN VIEW



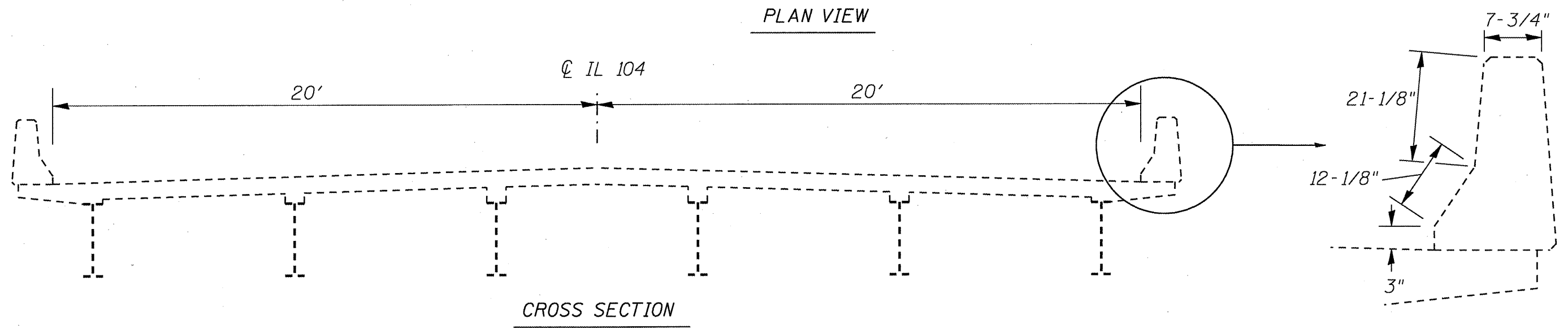
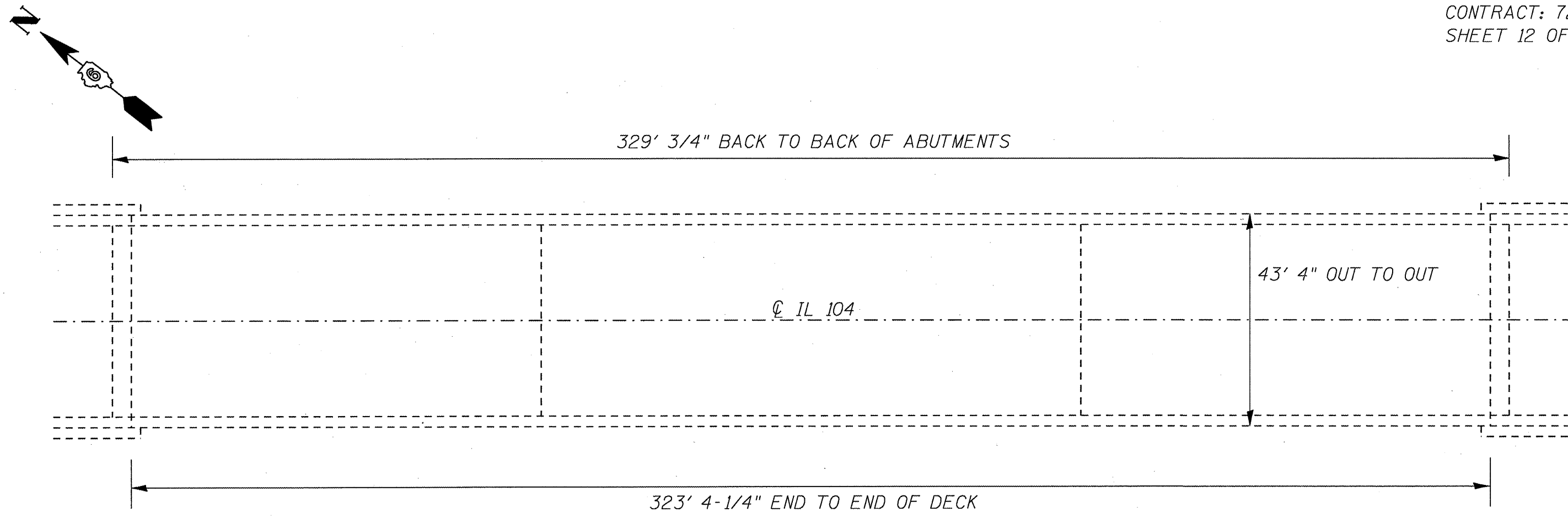
CROSS SEC. LOOKING NORTTH

TOTAL WIDTH = 24' 0-1/2" + 19' 2-1/2" + ((3" + 12-1/8" + 21-1/8" + 7-3/4") x 2) = 50.5'  
 TOTAL LENGTH = 329' 3-1/2" = 329.3'  
 TOTAL AREA = 329.3' x 50.5' = 16630 SQ FT  
 16630 SQ FT / 9 = 1848 SQ YD

BRIDGE DECK CONCRETE CRACK SEALER = 0'

NOT TO SCALE

SN 001-0087  
 VARIOUS ROUTES  
 D6 BRIDGE DECK SEALING 2009  
 ADAMS, CHRISTIAN, MORGAN, SANG.



TOTAL WIDTH =  $(20' + 3" + 12-1/8" + 21-1/8" + 7-3/4") \times 2 = 47.3'$   
 TOTAL LENGTH = 323.4'  
 TOTAL AREA =  $323.4' \times 47.3' = 15297 \text{ SQ FT}$   
 $15297 \text{ SQ FT} / 9 = 1700 \text{ SQ YD}$   
 BRIDGE DECK CONCRETE CRACK SEALER = 790'

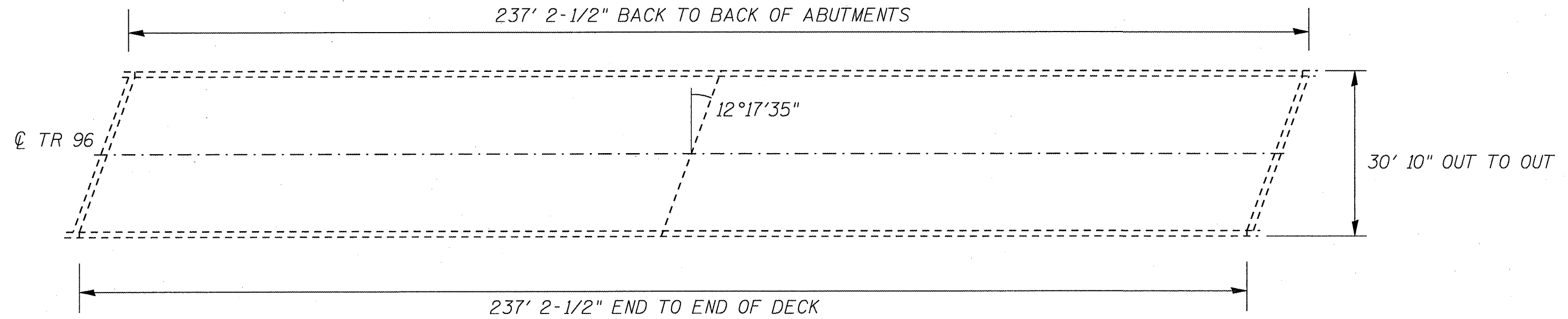
NOT TO SCALE

SN 011-0502

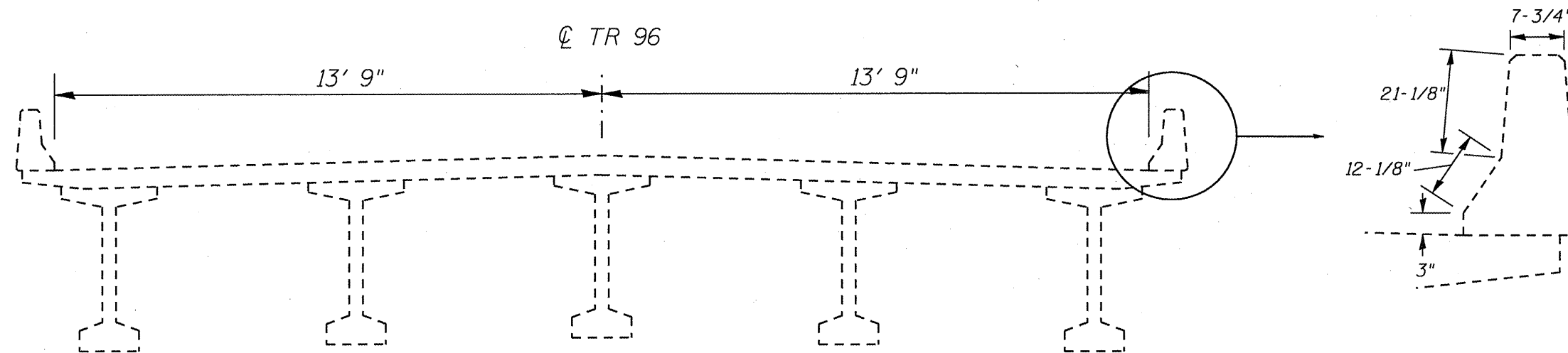
VARIOUS ROUTES

D6 BRIDGE DECK SEALING 2009

ADAMS, CHRISTIAN, MORGAN, SANG.



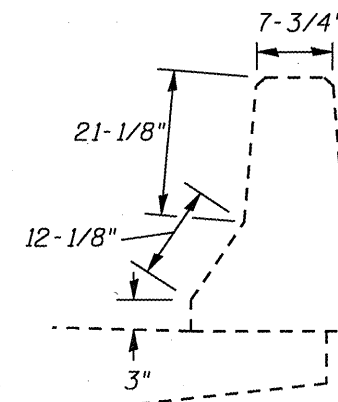
PLAN VIEW



CROSS SEC. LOOKING NORTH

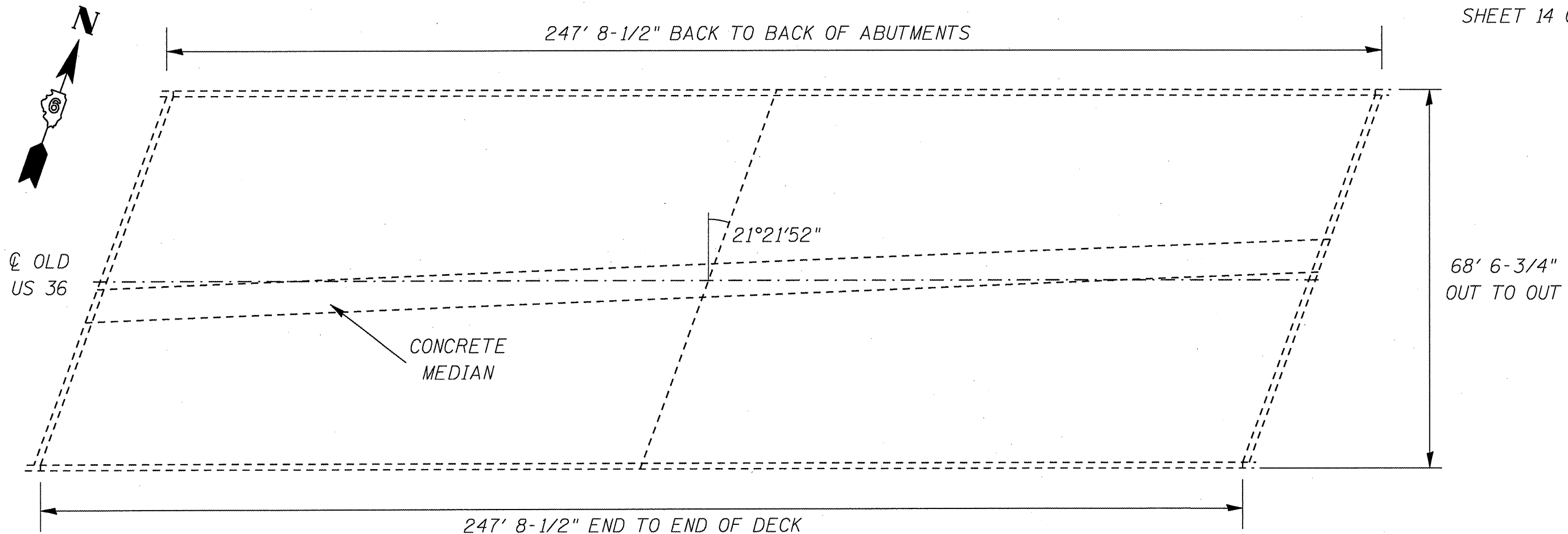
TOTAL WIDTH = 13' 9" + 13' 9" + ((3" + 12-1/8" + 21-1/8" + 7-3/4") x 2) = 34.8'  
 TOTAL LENGTH = 227' 2-1/2" = 227.2'  
 TOTAL AREA = 227.2' x 34.8' = 7907 SQ FT  
 7907 SQ FT / 9 = 879 SQ YD

BRIDGE DECK CONCRETE CRACK SEALER = 0'

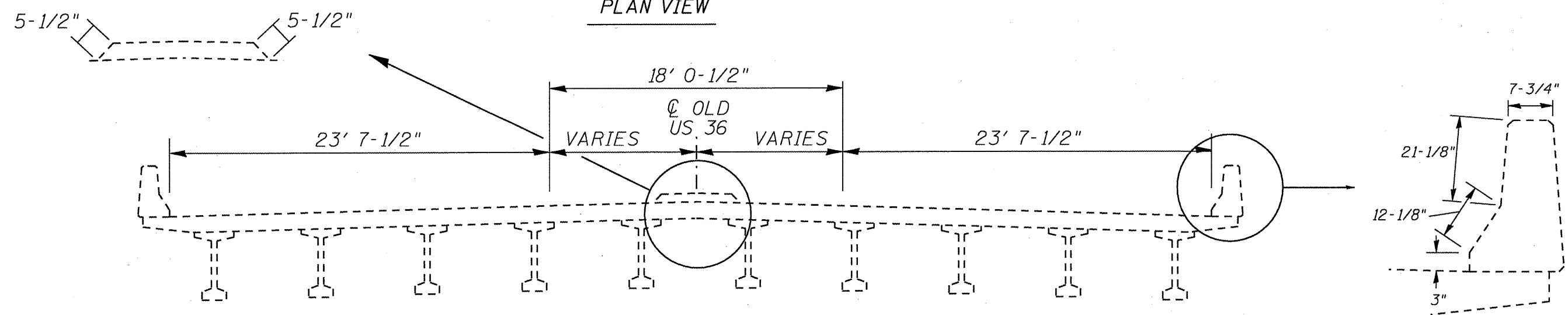


NOT TO SCALE

SN 069-0072  
 VARIOUS ROUTES  
 D6 BRIDGE DECK SEALING 2009  
 ADAMS, CHRISTIAN, MORGAN, SANG.



PLAN VIEW



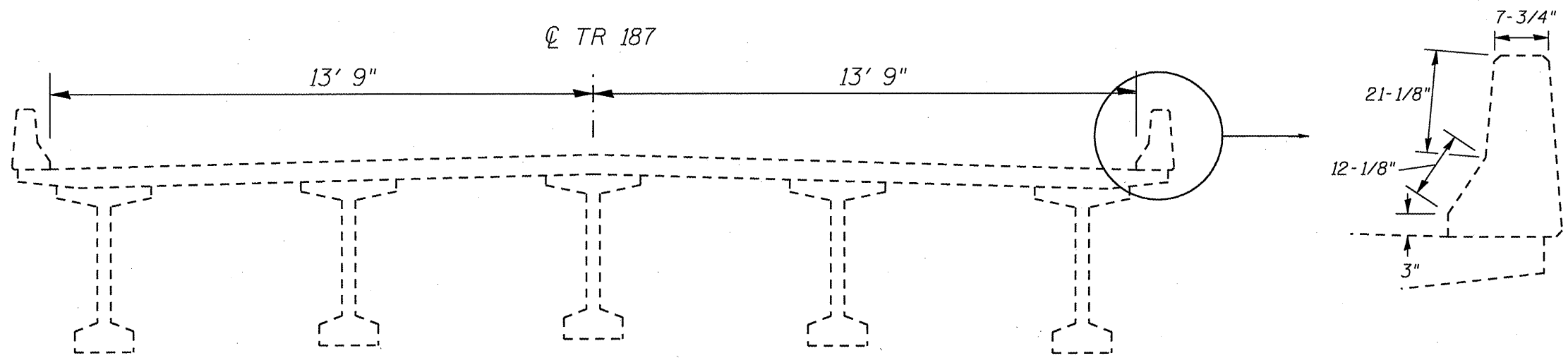
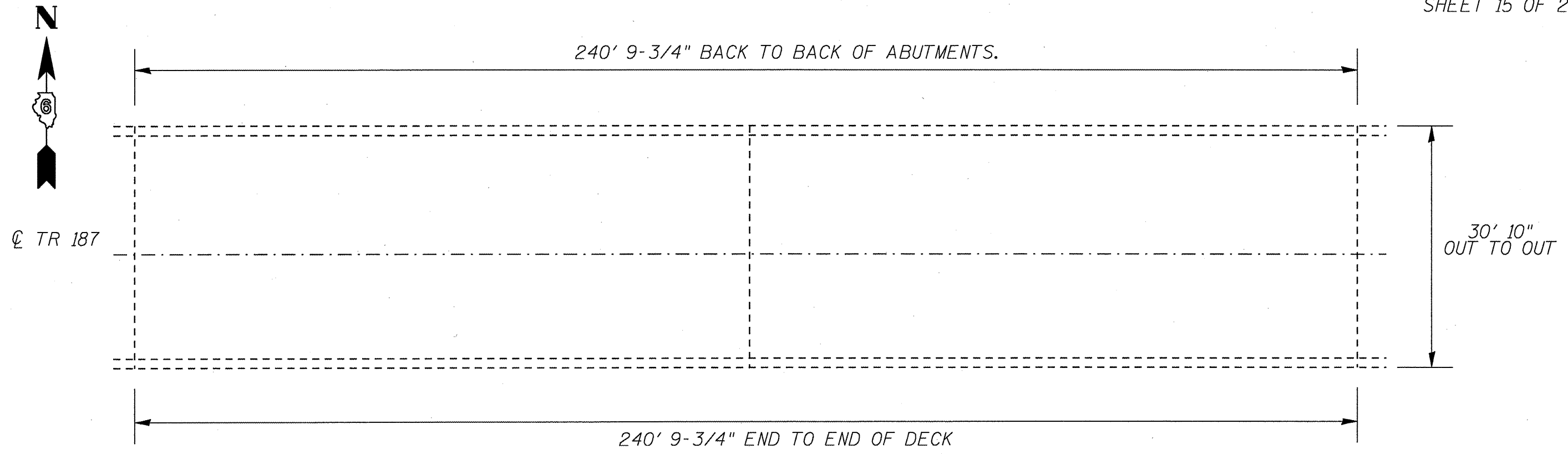
CROSS SEC. LOOKING NORTH

TOTAL WIDTH =  $(23' 7-1/2" \times 2) + 18' 0-1/2" + (5-1/2" \times 2) + ((3" + 12-1/8" + 21-1/8" + 7-3/4") \times 2) = 73.5'$   
 TOTAL LENGTH =  $247' 8-1/2" = 247.7'$   
 TOTAL AREA =  $247.7' \times 73.5' = 18206 \text{ SQ FT}$   
 $18206 \text{ SQ FT} / 9 = 2023 \text{ SQ YD}$

BRIDGE DECK CONCRETE CRACK SEALER = 0'

NOT TO SCALE

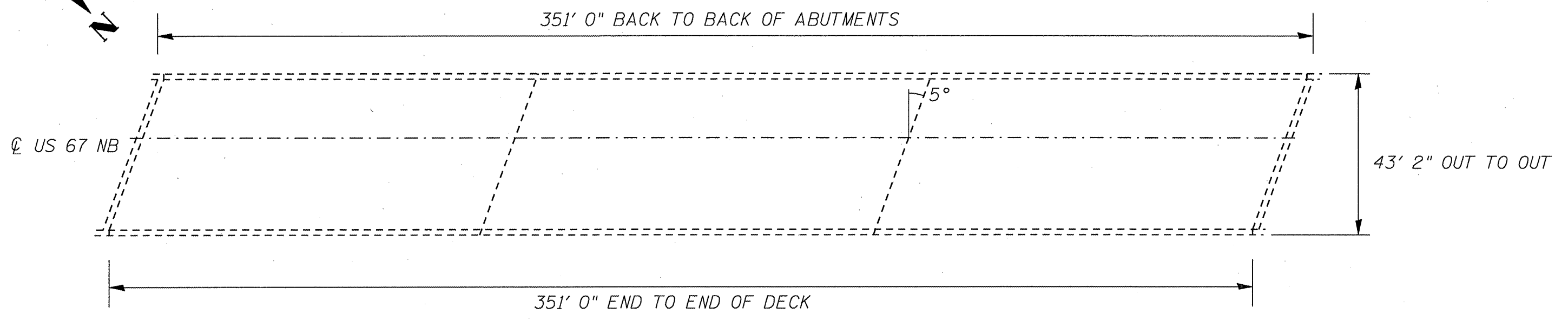
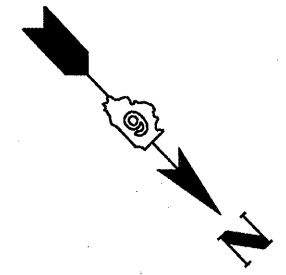
SN 069-0078  
VARIOUS ROUTES  
D6 BRIDGE DECK SEALING 2009  
ADAMS, CHRISTIAN, MORGAN, SANG.



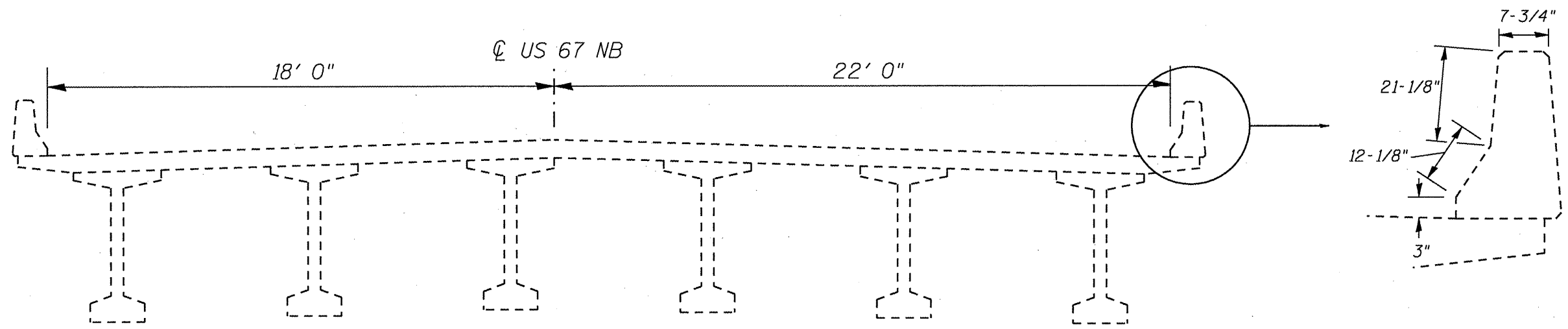
TOTAL WIDTH = 13' 9" + 13' 9" + ((3" + 12-1/8" + 21-1/8" + 7-3/4") x 2) = 34.8'  
 TOTAL LENGTH = 240' 9-3/4" = 240.8'  
 TOTAL AREA = 240.8' x 34.8' = 8380 SQ FT  
 8380 SQ FT / 9 = 931 SQ YD  
 BRIDGE DECK CONCRETE CRACK SEALER = 0'

NOT TO SCALE

SN 069-0079  
 VARIOUS ROUTES  
 D6 BRIDGE DECK SEALING 2009  
 ADAMS, CHRISTIAN, MORGAN, SANG.



PLAN VIEW



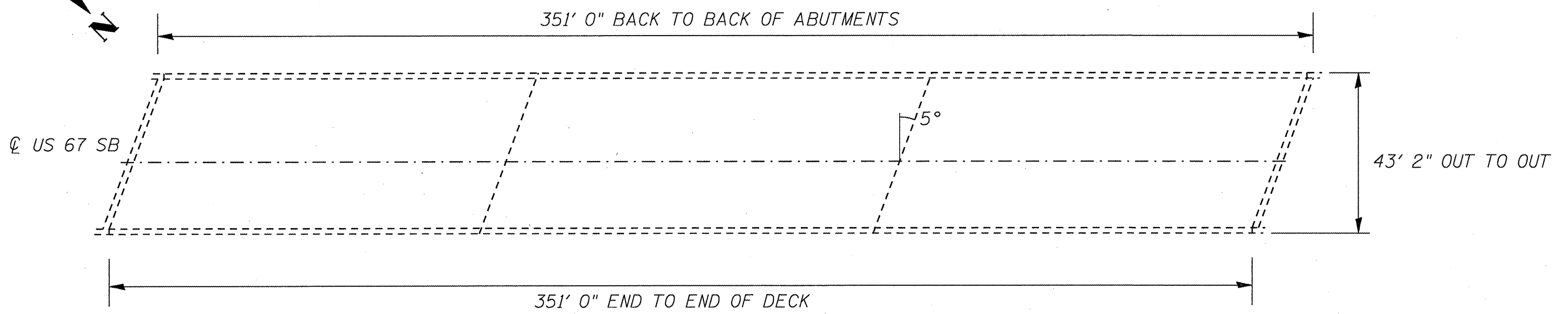
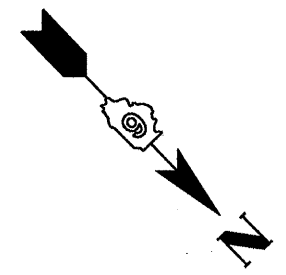
CROSS SEC. LOOKING NORTH

TOTAL WIDTH =  $22' + 18' + ((3" + 12-1/8" + 21-1/8" + 7-3/4") \times 2) = 47.3'$   
 TOTAL LENGTH = 351'  
 TOTAL AREA =  $351' \times 47.3' = 16602 \text{ SQ FT}$   
 $16602 \text{ SQ FT} / 9 = 1845 \text{ SQ YD}$   
 BRIDGE DECK CONCRETE CRACK SEALER = 0'

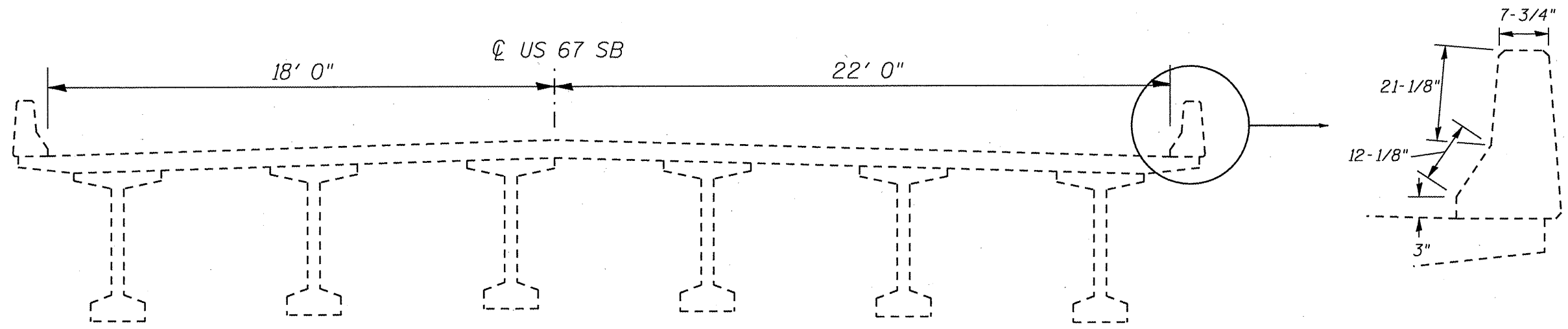
NOT TO SCALE

SN 069-0511  
 VARIOUS ROUTES  
 D6 BRIDGE DECK SEALING 2009  
 ADAMS, CHRISTIAN, MORGAN, SANG.





PLAN VIEW

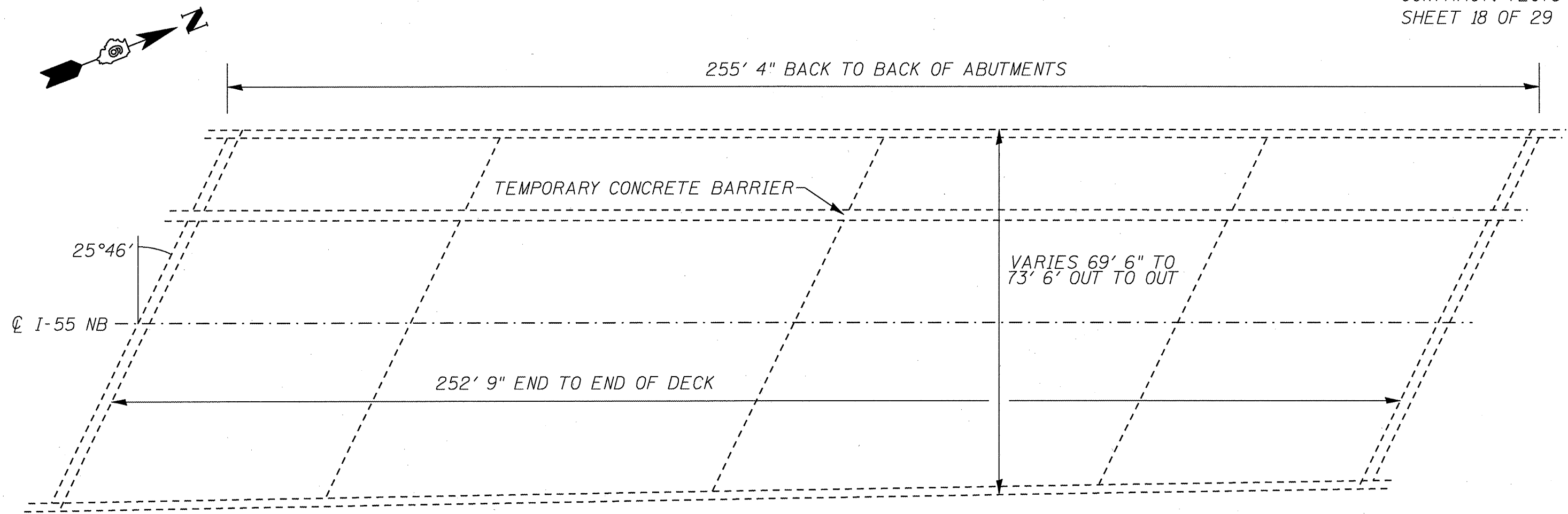


CROSS SEC. LOOKING SOUTH

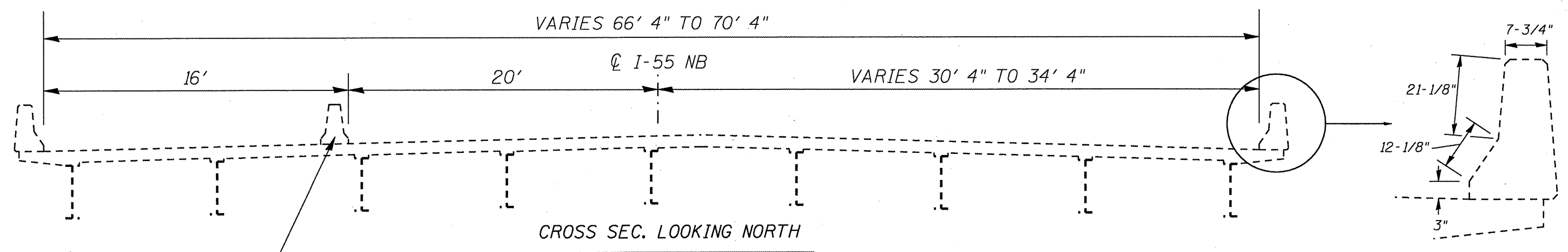
TOTAL WIDTH =  $22' + 18' + ((3" + 12-1/8" + 21-1/8" + 7-3/4") \times 2) = 47.3'$   
 TOTAL LENGTH = 351'  
 TOTAL AREA =  $351' \times 47.3' = 16602 \text{ SQ FT}$   
 $16602 \text{ SQ FT} / 9 = 1845 \text{ SQ YD}$   
 BRIDGE DECK CONCRETE CRACK SEALER = 0'

NOT TO SCALE

SN 069-0512  
 VARIOUS ROUTES  
 D6 BRIDGE DECK SEALING 2009  
 ADAMS, CHRISTIAN, MORGAN, SANG.



PLAN VIEW



TEMPORARY CONCRETE BARRIER

$$\text{NORTH WIDTH} = 66' 4" + ((3" + 12-1/8" + 21-1/8" + 7-3/4") \times 2) = 73.7'$$

$$\text{SOUTH WIDTH} = 70' 4" + ((3" + 12-1/8" + 21-1/8" + 7-3/4") \times 2) = 77.7'$$

$$\text{AVERAGE WIDTH} = 75.7'$$

$$\text{TOTAL LENGTH} = 252.75'$$

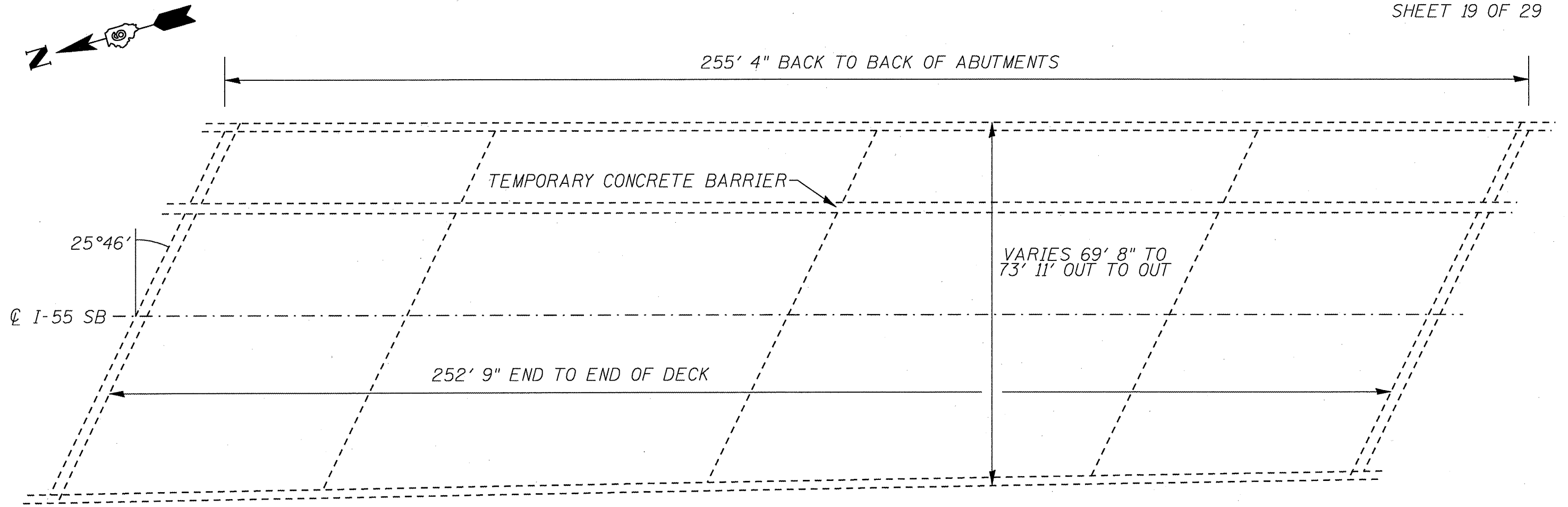
$$\text{TOTAL AREA} = 252.75' \times 75.7' = 19133 \text{ SQ FT}$$

$$19133 \text{ SQ FT} / 9 = 2126 \text{ SQ YD}$$

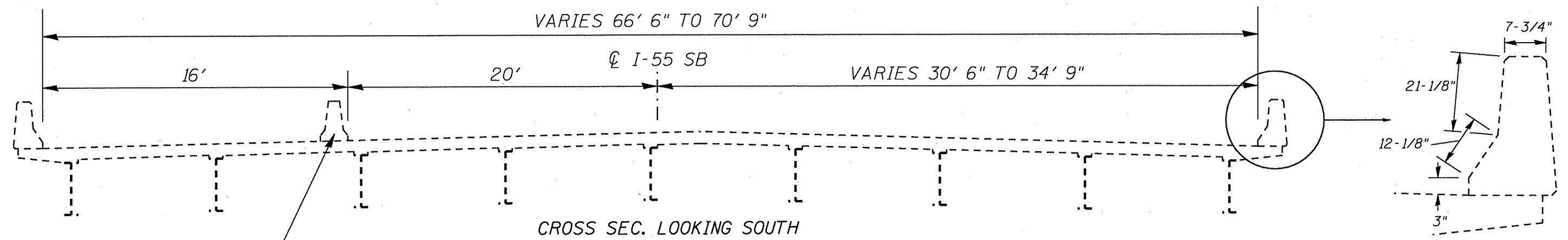
BRIDGE DECK CONCRETE CRACK SEALER = 2805'

NOT TO SCALE

SN 084-0011  
VARIOUS ROUTES  
D6 BRIDGE DECK SEALING 2009  
ADAMS, CHRISTIAN, MORGAN, SANG.



PLAN VIEW



CROSS SEC. LOOKING SOUTH

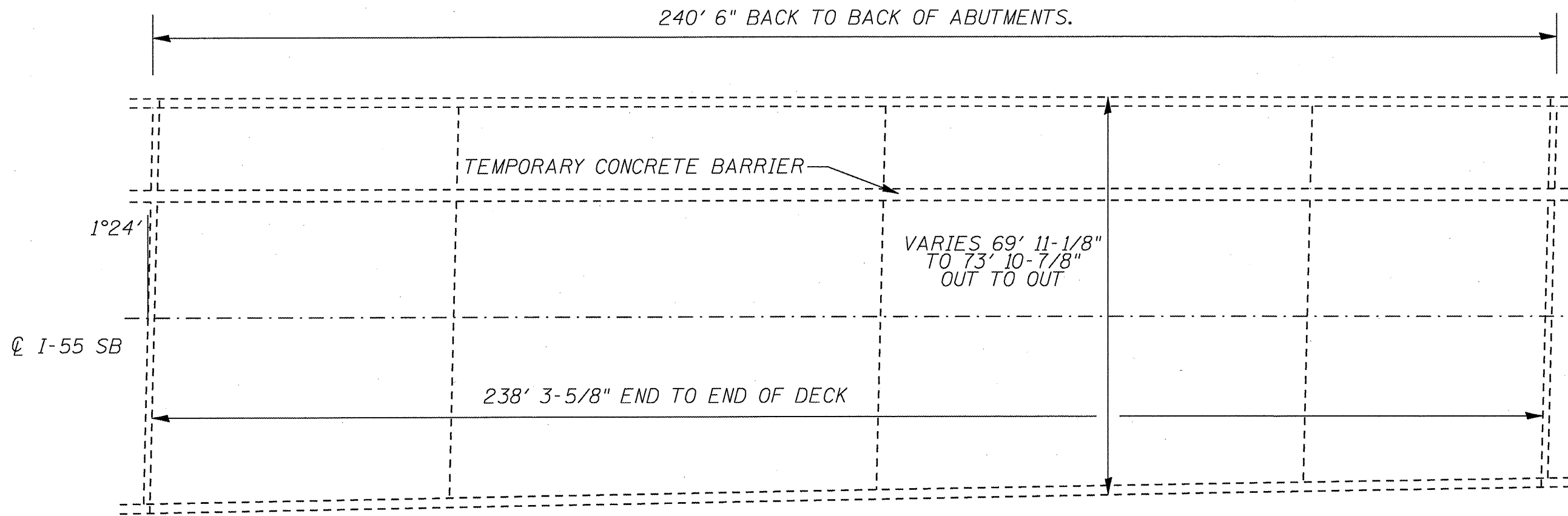
TEMPORARY CONCRETE BARRIER

$SOUTH\ WIDTH = 66' 6" + ((3" + 12-1/8" + 21-1/8" + 7-3/4") \times 2) = 73.8'$   
 $NORTH\ WIDTH = 70' 9" + ((3" + 12-1/8" + 21-1/8" + 7-3/4") \times 2) = 78.1'$   
 $AVERAGE\ WIDTH = 75.95'$   
 $TOTAL\ LENGTH = 252.75'$   
 $TOTAL\ AREA = 252.75' \times 75.95' = 19196\ SQ\ FT$   
 $19196\ SQ\ FT / 9 = 2133\ SQ\ YD$

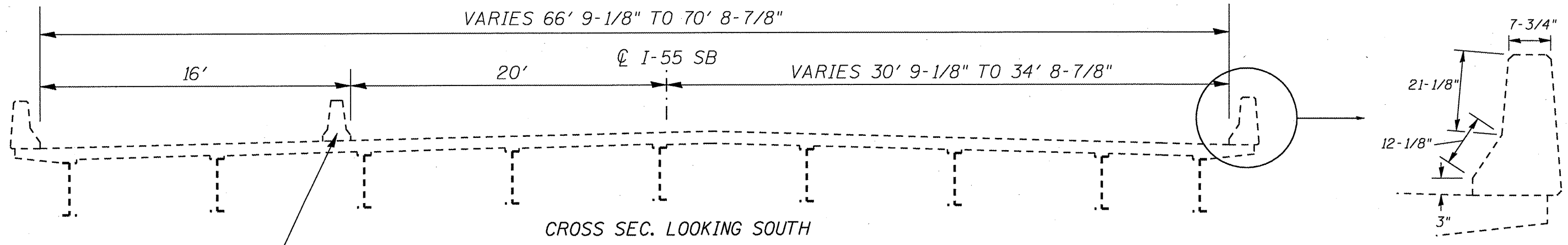
BRIDGE DECK CONCRETE CRACK SEALER = 0'

NOT TO SCALE

SN 084-0012  
 VARIOUS ROUTES  
 D6 BRIDGE DECK SEALING 2009  
 ADAMS, CHRISTIAN, MORGAN, SANG.



PLAN VIEW



CROSS SEC. LOOKING SOUTH

TEMPORARY CONCRETE BARRIER

SOUTH WIDTH = 66' 9-1/8" + ((3" + 12-1/8" + 21-1/8" + 7-3/4") x 2) = 74.1'

NORTH WIDTH = 70' 8-7/8" + ((3" + 12-1/8" + 21-1/8" + 7-3/4") x 2) = 78.1'

AVERAGE WIDTH = 76.1'

TOTAL LENGTH = 238.3'

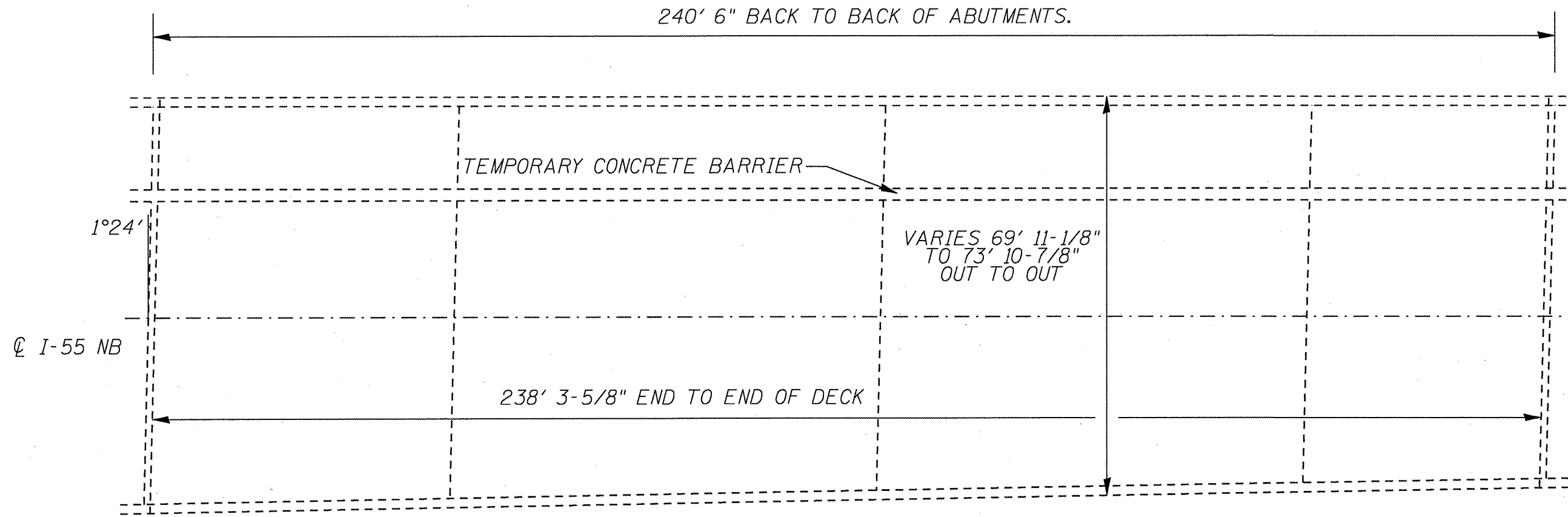
TOTAL AREA = 238.3' x 76.1' = 18135 SQ FT

18135 SQ FT / 9 = 2015 SQ YD

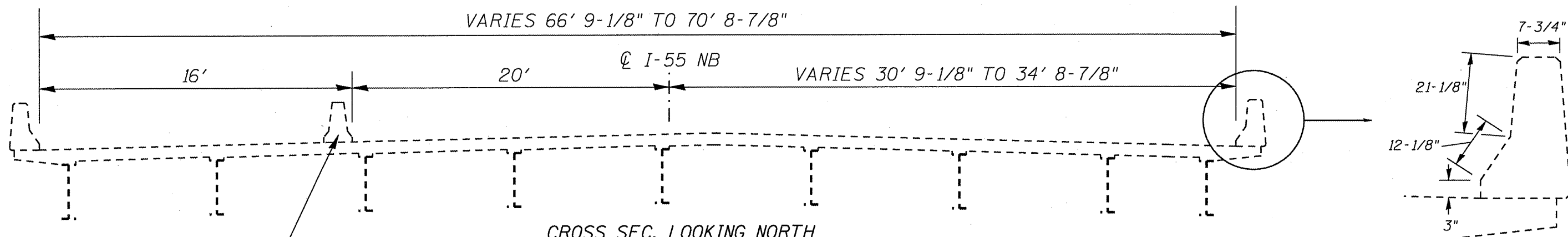
BRIDGE DECK CONCRETE CRACK SEALER = 1444'

NOT TO SCALE

SN 084-0014  
 VARIOUS ROUTES  
 D6 BRIDGE DECK SEALING 2009  
 ADAMS, CHRISTIAN, MORGAN, SANG.



PLAN VIEW



CROSS SEC. LOOKING NORTH

TEMPORARY CONCRETE BARRIER

NORTH WIDTH =  $66' 9\frac{1}{8}'' + ((3'' + 12\frac{1}{8}'' + 21\frac{1}{8}'' + 7\frac{3}{4}'') \times 2) = 74.1'$   
 SOUTH WIDTH =  $70' 8\frac{7}{8}'' + ((3'' + 12\frac{1}{8}'' + 21\frac{1}{8}'' + 7\frac{3}{4}'') \times 2) = 78.1'$   
 AVERAGE WIDTH = 76.1'  
 TOTAL LENGTH = 238.3'  
 TOTAL AREA =  $238.3' \times 76.1' = 18135$  SQ FT  
 $18135$  SQ FT / 9 = 2015 SQ YD

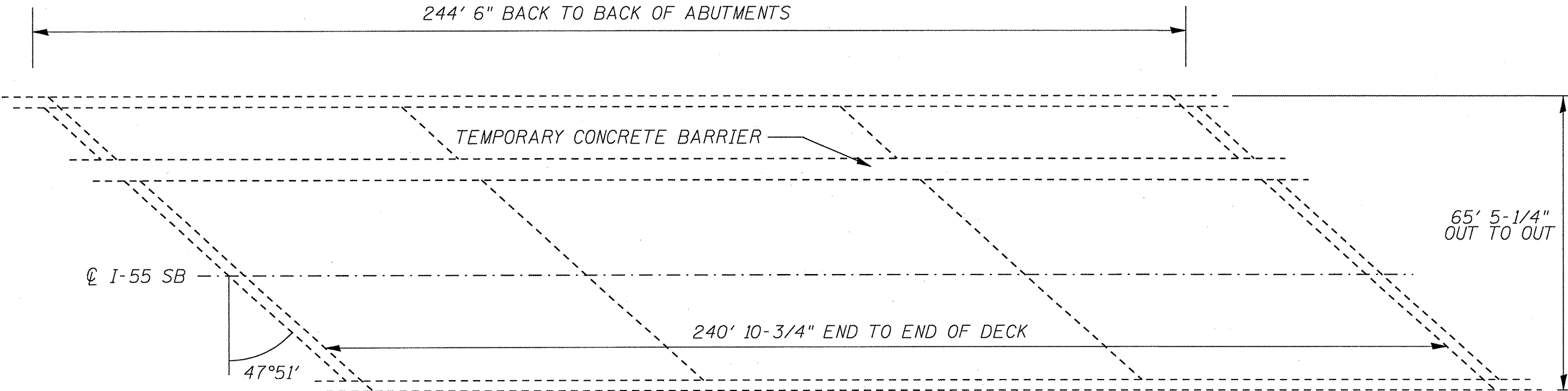
BRIDGE DECK CONCRETE CRACK SEALER = 2169'

NOT TO SCALE

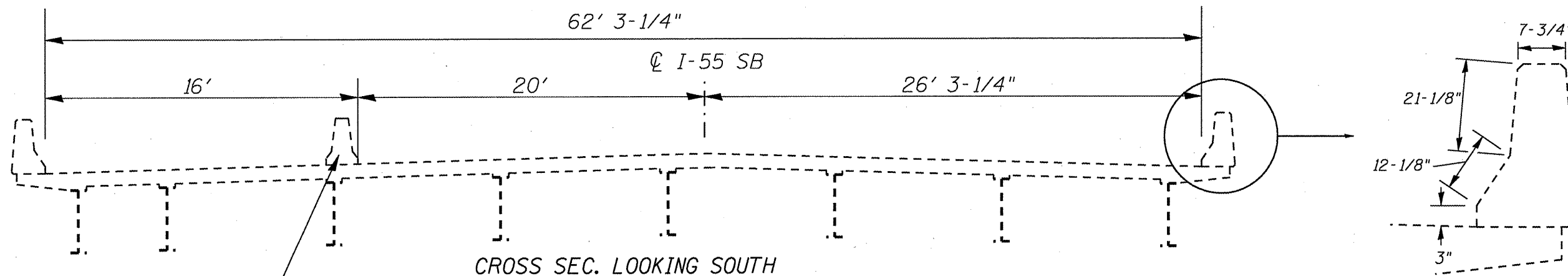
SN 084-0015  
VARIOUS ROUTES  
D6 BRIDGE DECK SEALING 2009  
ADAMS, CHRISTIAN, MORGAN, SANG.



244' 6" BACK TO BACK OF ABUTMENTS



PLAN VIEW



CROSS SEC. LOOKING SOUTH

TEMPORARY CONCRETE BARRIER

TOTAL WIDTH =  $62' 3-1/4" + ((3" + 12-1/8" + 21-1/8" + 7-3/4") \times 2) = 69.6'$   
 TOTAL LENGTH = 240.9'  
 TOTAL AREA =  $240.9' \times 69.6' = 16767 \text{ SQ FT}$   
 $16767 \text{ SQ FT} / 9 = 1863 \text{ SQ YD}$

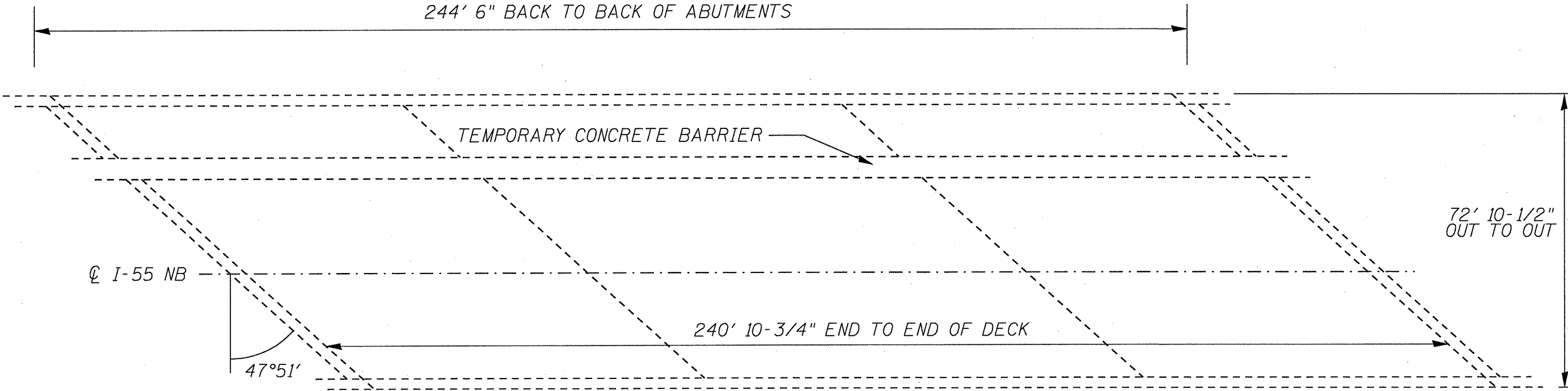
BRIDGE DECK CONCRETE CRACK SEALER = 1470'

NOT TO SCALE

SN 084-0016  
VARIOUS ROUTES  
D6 BRIDGE DECK SEALING 2009  
ADAMS, CHRISTIAN, MORGAN, SANG.



244' 6" BACK TO BACK OF ABUTMENTS



TEMPORARY CONCRETE BARRIER

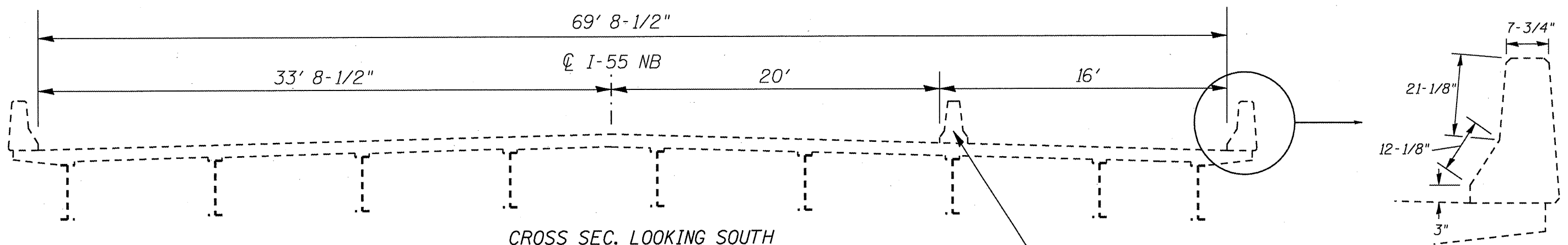
72' 10-1/2"  
OUT TO OUT

☉ I-55 NB

240' 10-3/4" END TO END OF DECK

47°51'

PLAN VIEW



CROSS SEC. LOOKING SOUTH

TEMPORARY CONCRETE BARRIER

NOT TO SCALE

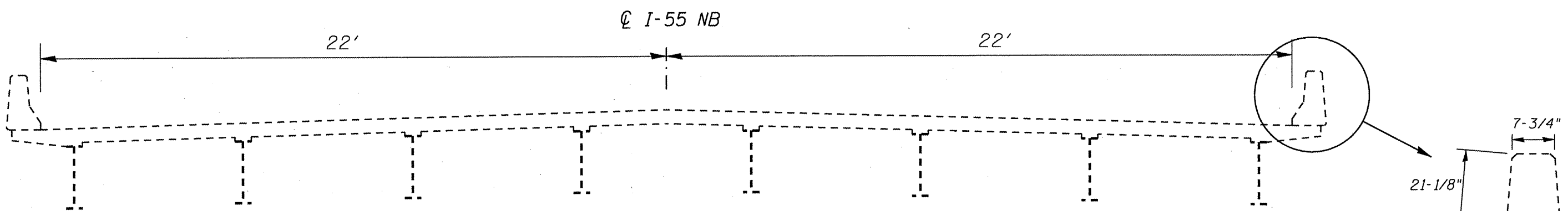
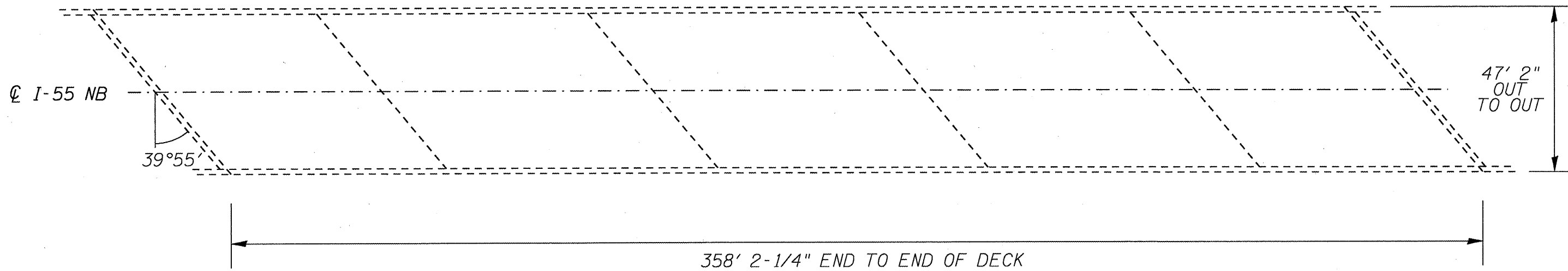
TOTAL WIDTH = 69' 8-1/2" + ((3" + 12-1/8" + 21-1/8" + 7-3/4") x 2) = 77.0'  
 TOTAL LENGTH = 240.9'  
 TOTAL AREA = 240.9' x 77.0' = 18549 SQ FT  
 18549 SQ FT / 9 = 2061 SQ YD

BRIDGE DECK CONCRETE CRACK SEALER = 3904'

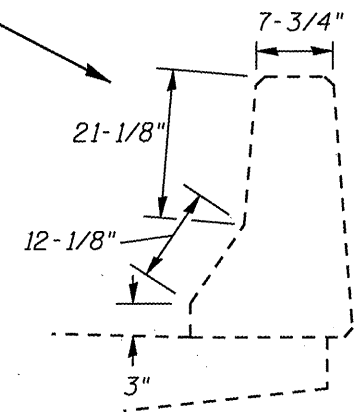
SN 084-0017  
 VARIOUS ROUTES  
 D6 BRIDGE DECK SEALING 2009  
 ADAMS, CHRISTIAN, MORGAN, SANG.



361' 4" BACK TO BACK OF ABUTMENTS



CROSS SECTION



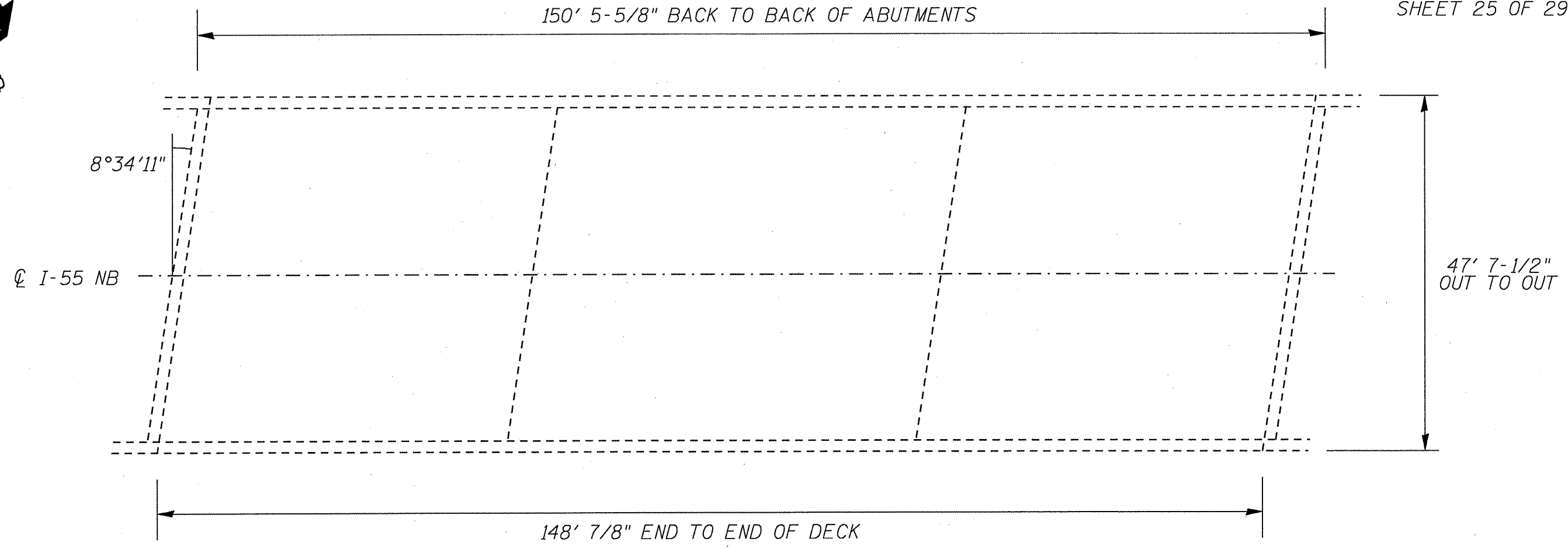
$TOTAL\ WIDTH = (22' + 3" + 12-1/8" + 21-1/8" + 7-3/4") \times 2 = 51.3'$   
 $TOTAL\ LENGTH = 358' 2-1/4" = 358.2'$   
 $TOTAL\ AREA = 358.2' \times 51.3' = 18376\ SQ\ FT$   
 $18376\ SQ\ FT / 9 = 2042\ SQ\ YD$

BRIDGE DECK CONCRETE CRACK SEALER = 0'

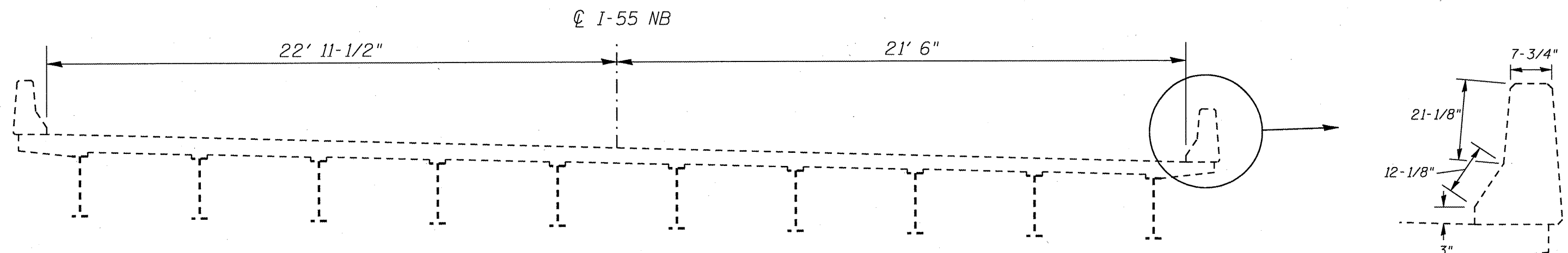
NOT TO SCALE

SN 084-0020  
 VARIOUS ROUTES  
 D6 BRIDGE DECK SEALING 2009  
 ADAMS, CHRISTIAN, MORGAN, SANG.





PLAN VIEW



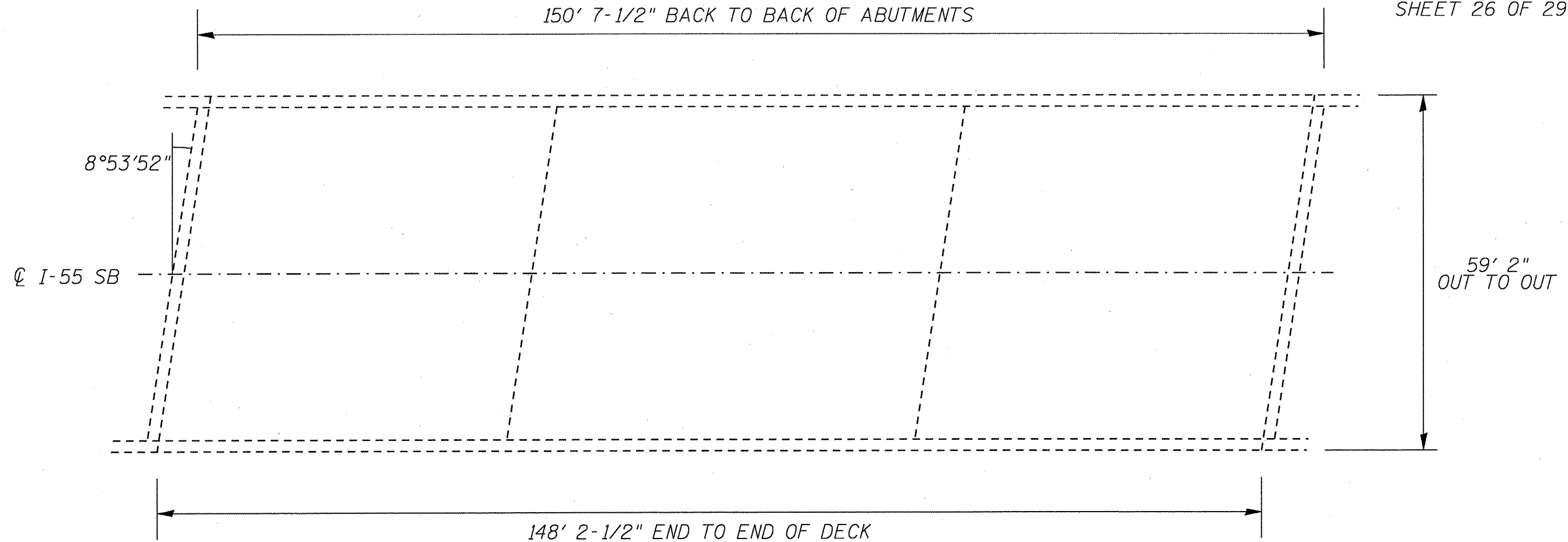
CROSS SEC. LOOKING WEST

TOTAL WIDTH =  $22' 11\frac{1}{2}'' + 21' 6'' ((3'' + 12\frac{1}{8}'' + 21\frac{1}{8}'' + 7\frac{3}{4}'') \times 2) = 51.8'$   
 TOTAL LENGTH =  $148' 7\frac{7}{8}'' = 148.1'$   
 TOTAL AREA =  $148.1' \times 51.8' = 7672 \text{ SQ FT}$   
 $7672 \text{ SQ FT} / 9 = 852 \text{ SQ YD}$

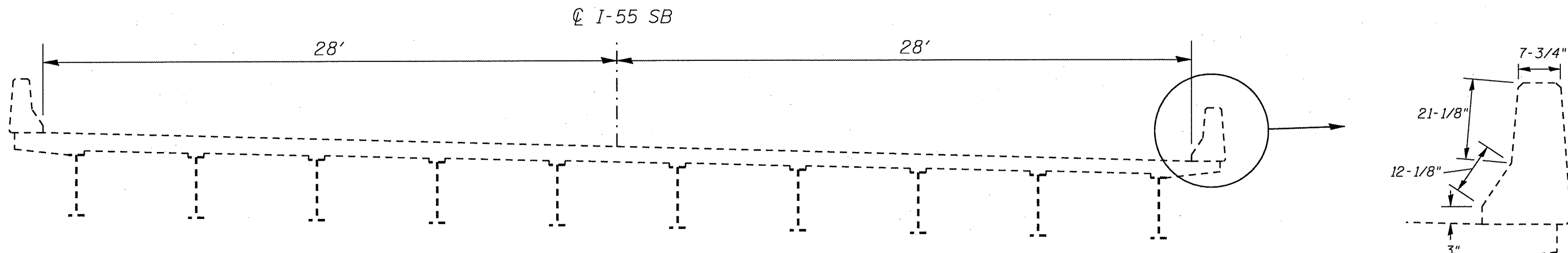
BRIDGE DECK CONCRETE CRACK SEALER = 900'

NOT TO SCALE

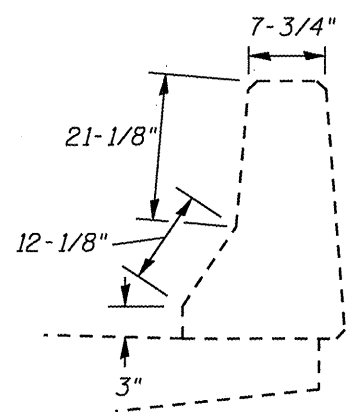
SN 084-0022  
VARIOUS ROUTES  
D6 BRIDGE DECK SEALING 2009  
ADAMS, CHRISTIAN, MORGAN, SANG.



PLAN VIEW



CROSS SEC. LOOKING WEST

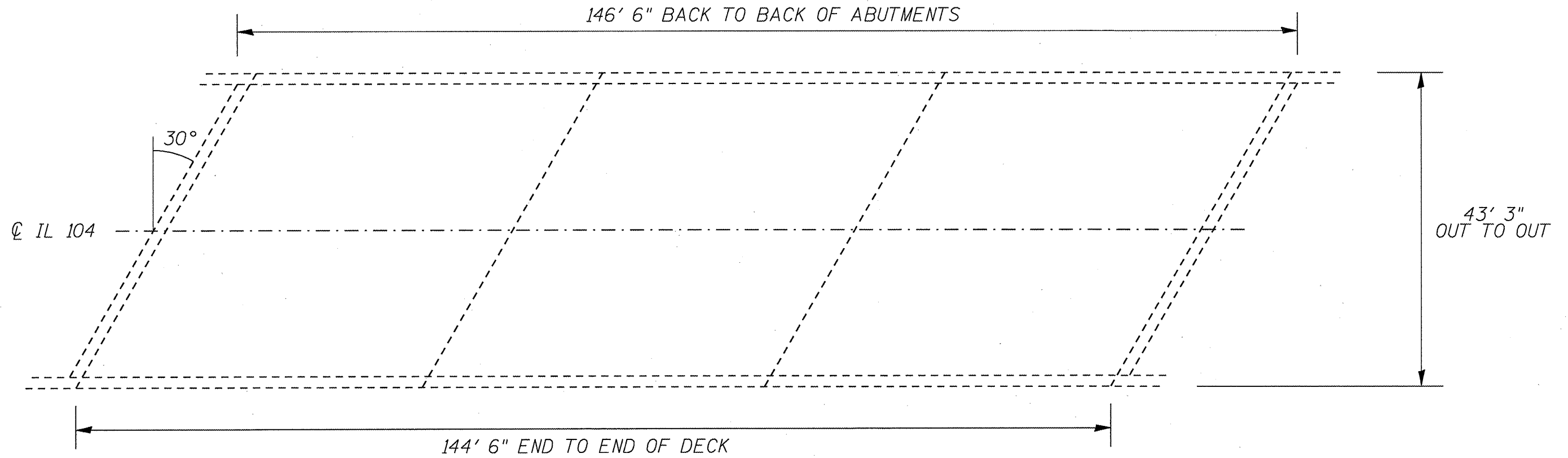


TOTAL WIDTH =  $(28' + 3" + 12-1/8" + 21-1/8" + 7-3/4") \times 2 = 63.3'$   
 TOTAL LENGTH =  $148' 2-1/2" = 148.2'$   
 TOTAL AREA =  $148.2' \times 63.3' = 9382 \text{ SQ FT}$   
 $9382 \text{ SQ FT} / 9 = 1042 \text{ SQ YD}$

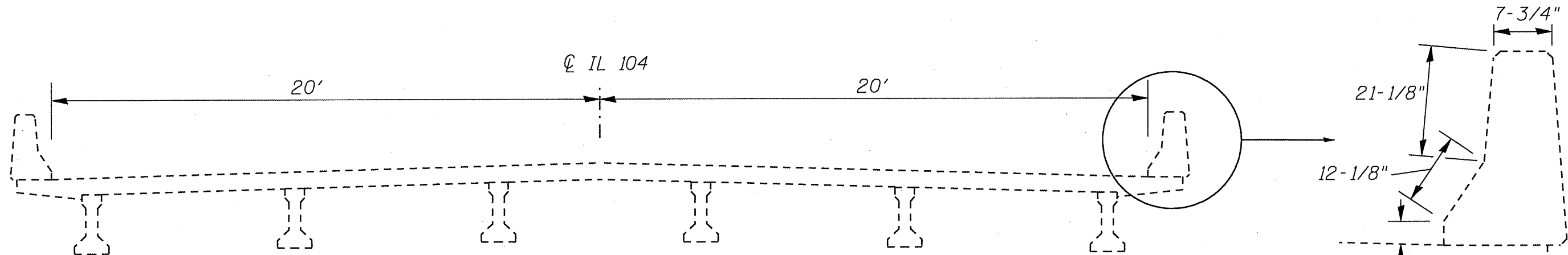
BRIDGE DECK CONCRETE CRACK SEALER = 1350'

NOT TO SCALE

SN 084-0023  
 VARIOUS ROUTES  
 D6 BRIDGE DECK SEALING 2009  
 ADAMS, CHRISTIAN, MORGAN, SANG.



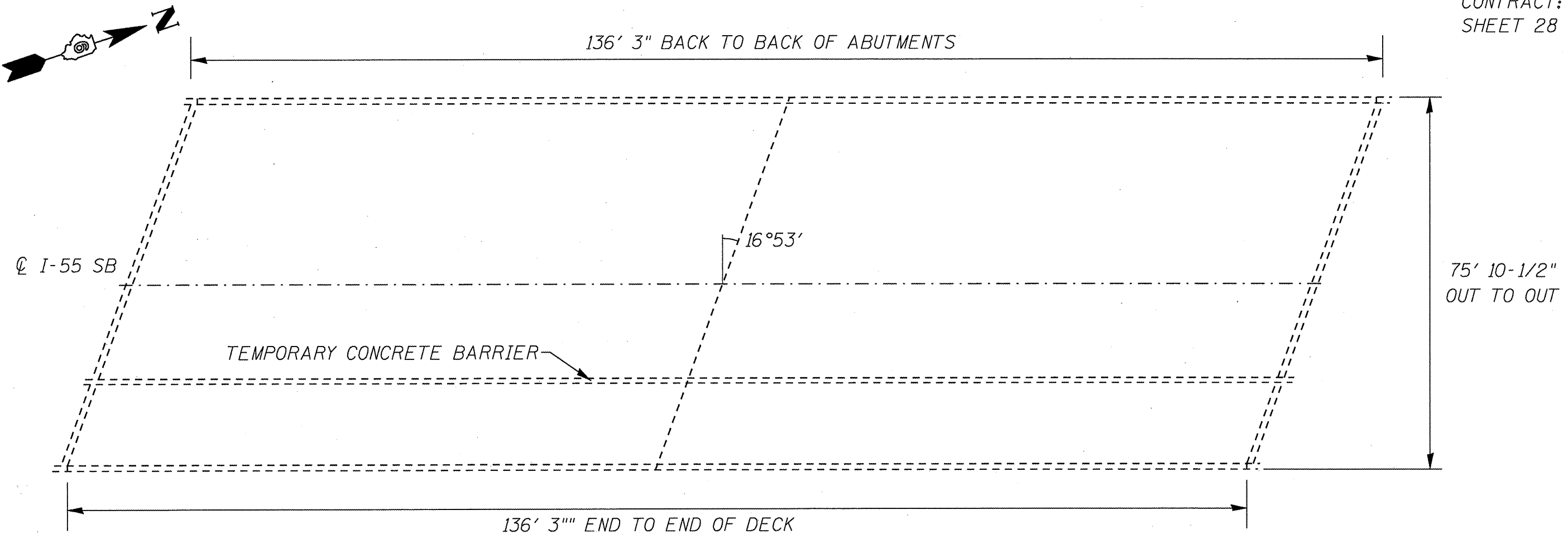
PLAN VIEW



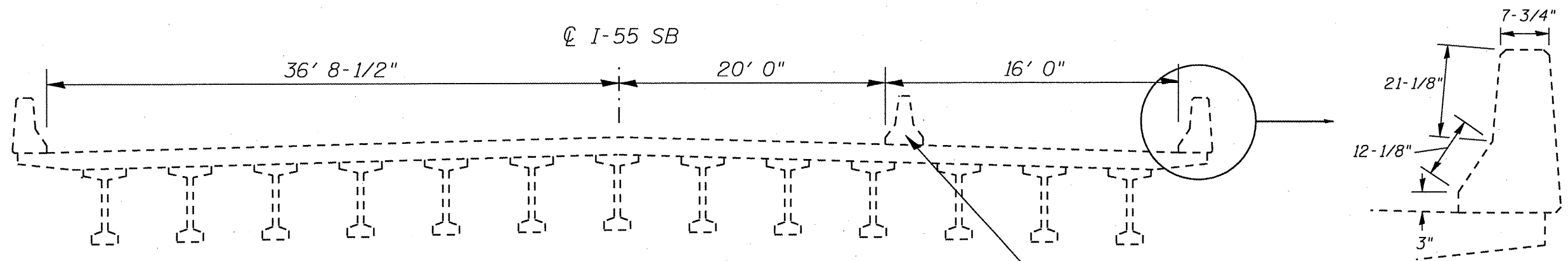
CROSS SECTION

TOTAL WIDTH =  $(20' + 3" + 12-1/8" + 21-1/8" + 7-3/4") \times 2 = 47.3'$   
 TOTAL LENGTH = 144.5'  
 TOTAL AREA =  $144.5' \times 47.3' = 6835 \text{ SQ FT}$   
 $6835 \text{ SQ FT} / 9 = 759 \text{ SQ YD}$   
 BRIDGE DECK CONCRETE CRACK SEALER = 160'

NOT TO SCALE  
 SN 084-0065  
 VARIOUS ROUTES  
 D6 BRIDGE DECK SEALING 2009  
 ADAMS, CHRISTIAN, MORGAN, SANG.



PLAN VIEW



CROSS SEC. LOOKING NORTH

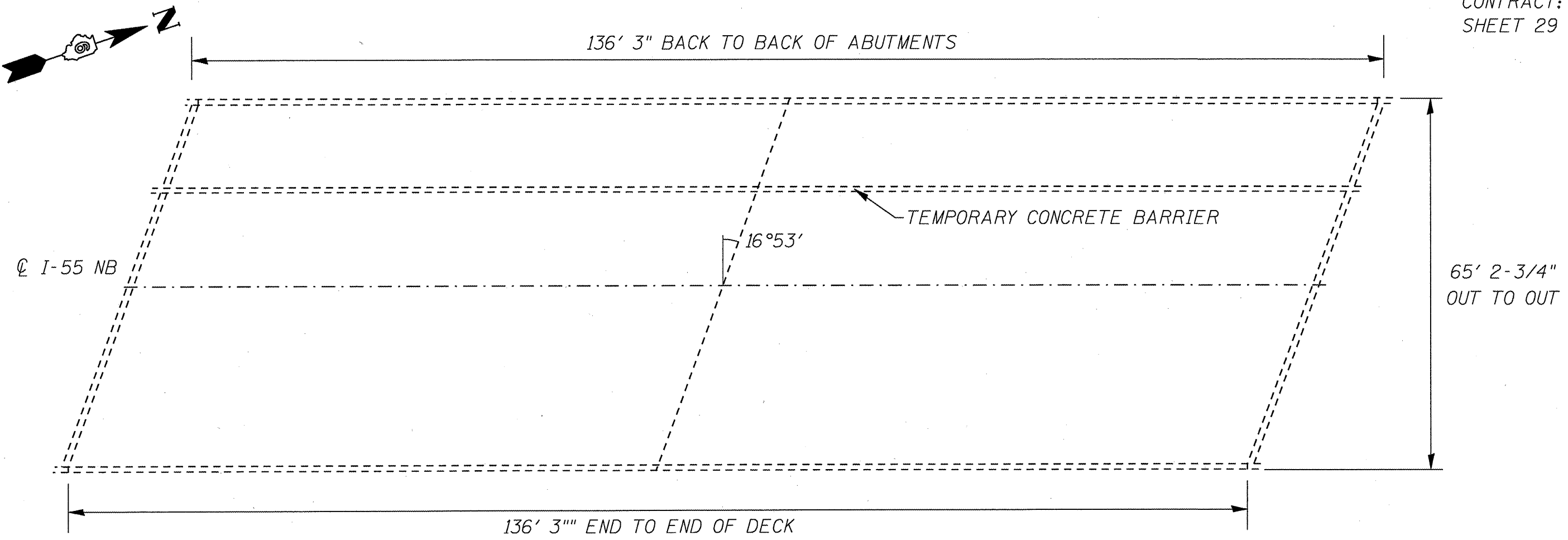
TEMPORARY CONCRETE BARRIER

NOT TO SCALE

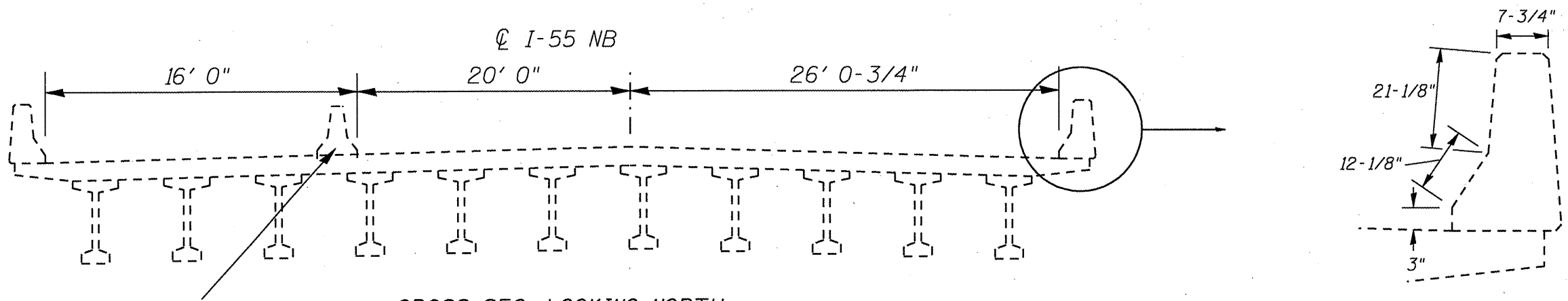
TOTAL WIDTH = 72' 8-1/2" + ((3" + 12-1/8" + 21-1/8" + 7-3/4") x 2) = 80.0'  
 TOTAL LENGTH = 136' 3" = 136.3'  
 TOTAL AREA = 136.3' x 80.0' = 10904 SQ FT  
 10904 SQ FT / 9 = 1212 SQ YD

BRIDGE DECK CONCRETE CRACK SEALER = 0'

SN 084-0210  
 VARIOUS ROUTES  
 D6 BRIDGE DECK SEALING 2009  
 ADAMS, CHRISTIAN, MORGAN, SANG.



PLAN VIEW



CROSS SEC. LOOKING NORTH

TEMPORARY CONCRETE BARRIER

TOTAL WIDTH = 62' 0-3/4" + ((3" + 12-1/8" + 21-1/8" + 7-3/4") x 2) = 69.4'

TOTAL LENGTH = 136' 3" = 136.3'

TOTAL AREA = 136.3' x 69.4' = 9459 SQ FT

9459 SQ FT / 9 = 1051 SQ YD

BRIDGE DECK CONCRETE CRACK SEALER = 0'

NOT TO SCALE

SN 084-0211  
VARIOUS ROUTES  
D6 BRIDGE DECK SEALING 2009  
ADAMS, CHRISTIAN, MORGAN, SANG.