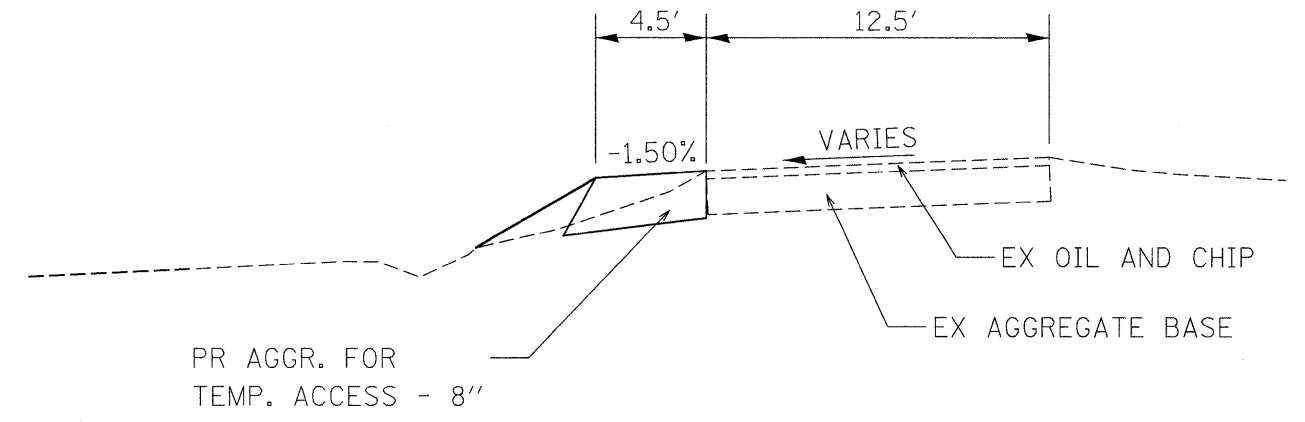
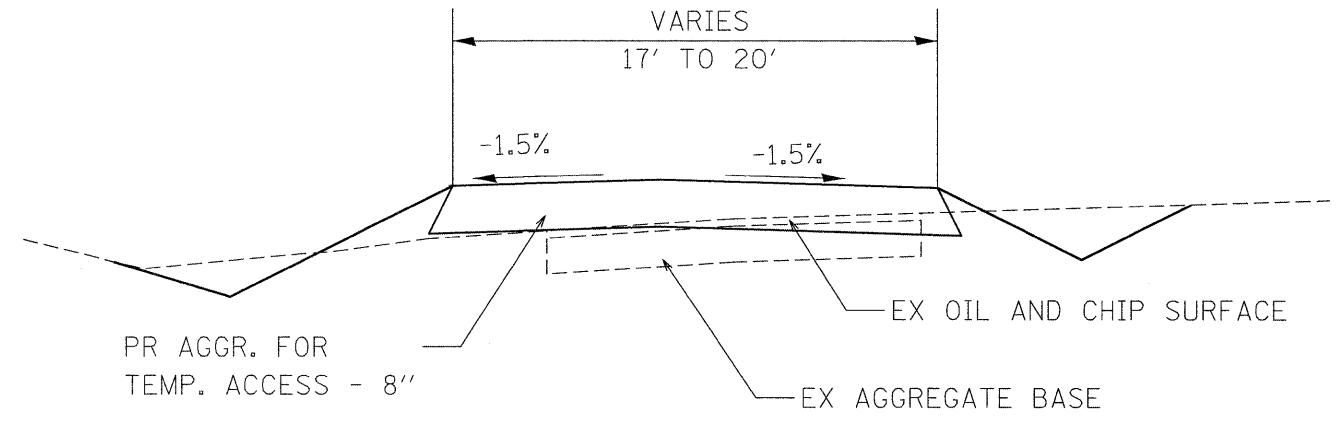
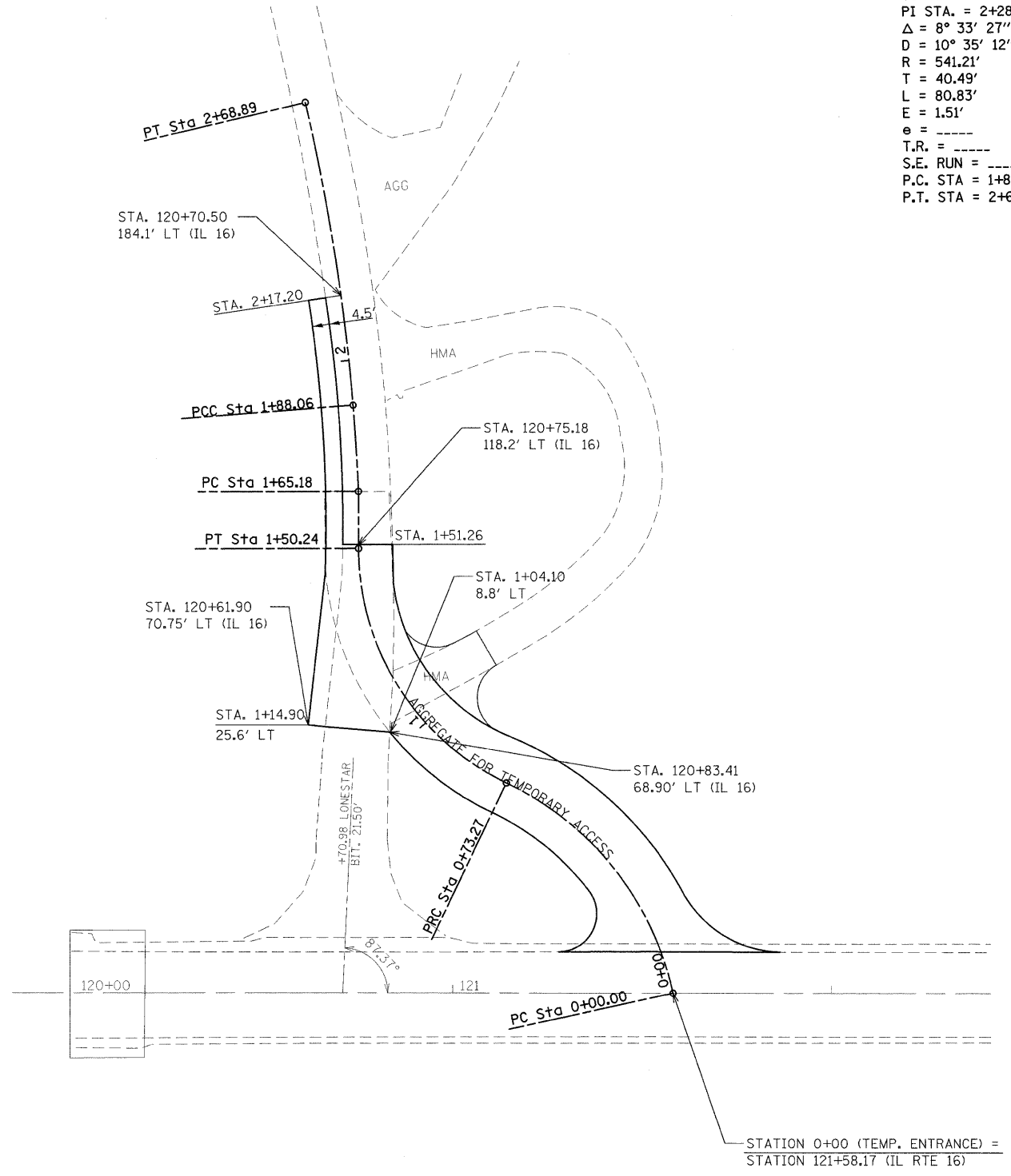


CURVETMPENT1-4
 PI STA. = 2+28.55
 $\Delta = 8^\circ 33' 27''$ (LT)
 $D = 10^\circ 35' 12''$
 $R = 541.21'$
 $T = 40.49'$
 $L = 80.83'$
 $E = 1.51'$
 $e = \text{-----}$
 $T.R. = \text{-----}$
 $S.E. RUN = \text{-----}$
 $P.C. STA = 1+88.06$
 $P.T. STA = 2+68.89$

CURVETMPENT1-1
 PI STA. = 0+39.39
 $\Delta = 52^\circ 08' 47''$ (LT)
 $D = 71^\circ 10' 30''$
 $R = 80.50'$
 $T = 39.39'$
 $L = 73.27'$
 $E = 9.12'$
 $e = \text{-----}$
 $T.R. = \text{-----}$
 $S.E. RUN = \text{-----}$
 $P.C. STA = 0+00.00$
 $P.T. STA = 0+73.27$

CURVETMPENT1-2
 PI STA. = 1+16.39
 $\Delta = 64^\circ 23' 15''$ (RT)
 $D = 83^\circ 38' 37''$
 $R = 68.50'$
 $T = 43.13'$
 $L = 76.98'$
 $E = 12.45'$
 $e = \text{-----}$
 $T.R. = \text{-----}$
 $S.E. RUN = \text{-----}$
 $P.C. STA = 0+73.27$
 $P.T. STA = 1+50.24$

CURVETMPENT1-3
 PI STA. = 1+76.62
 $\Delta = 1^\circ 49' 13''$ (LT)
 $D = 7^\circ 57' 26''$
 $R = 720.05'$
 $T = 11.44'$
 $L = 22.88'$
 $E = 0.09'$
 $e = \text{-----}$
 $T.R. = \text{-----}$
 $S.E. RUN = \text{-----}$
 $P.C. STA = 1+65.18$
 $P.T. STA = 1+88.06$



AGGREGATE FOR TEMPORARY ACCESS SHALL MEET AGGREGATE SURFACE COURSE, TYPE B REQUIREMENTS.

FILE NAME =	USER NAME = manntm	DESIGNED -	REVISED -	STATE OF ILLINOIS DEPARTMENT OF TRANSPORTATION	TEMPORARY ENTRANCE DETAIL		F.A.P. RTE.	SECTION	COUNTY	TOTAL SHEETS	SHEET NO.	
c:\pw_work\pudot\manntm\dms51935\pin022006a.dgn		DRAWN -	REVISED -		SCALE:	SHEET NO. 1 OF 1 SHEETS	STA. TO STA.	325	3BR-2	JERSEY	90	34
PLOT SCALE = 20,0000' / IN.		CHECKED -	REVISED -		CONTRACT NO. 76B01							
PLOT DATE = 12/11/2008		DATE -	REVISED -		FED. ROAD DIST. NO. ILLINOIS FED. AID PROJECT							