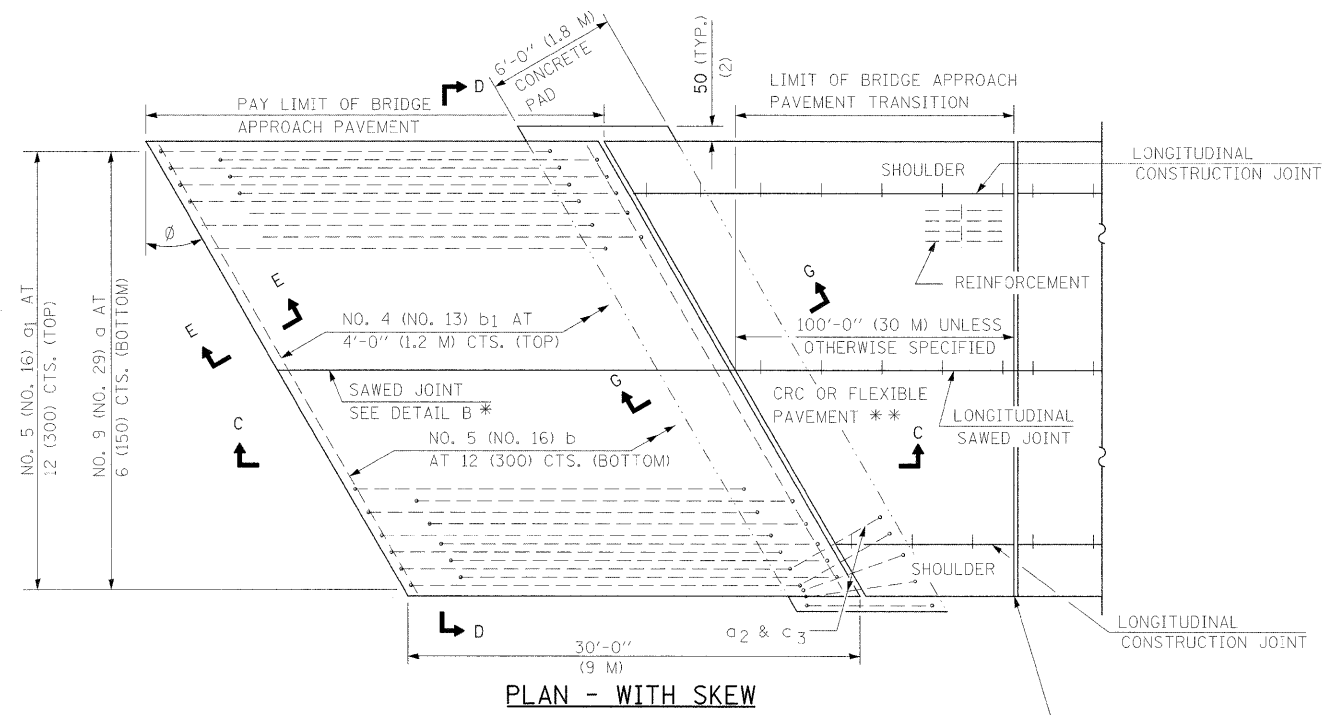
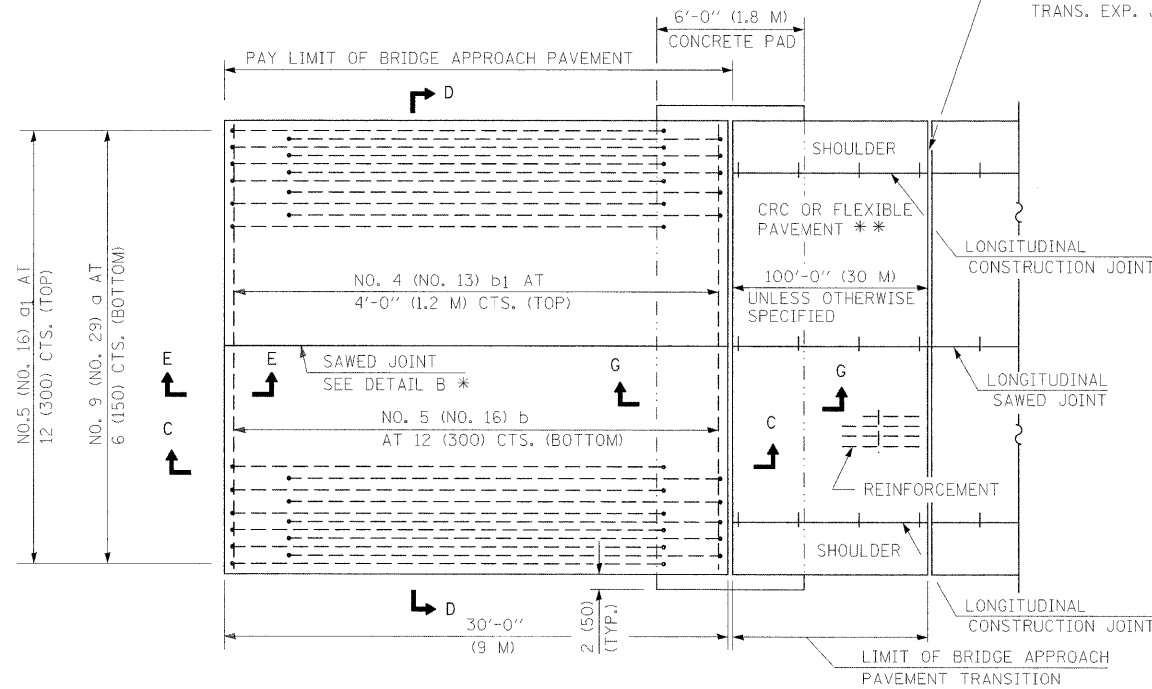


NEW CONSTRUCTION



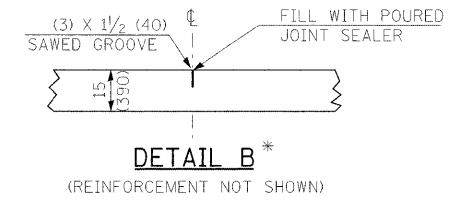
PLAN - WITH SKEW



PLAN - WITHOUT SKEW

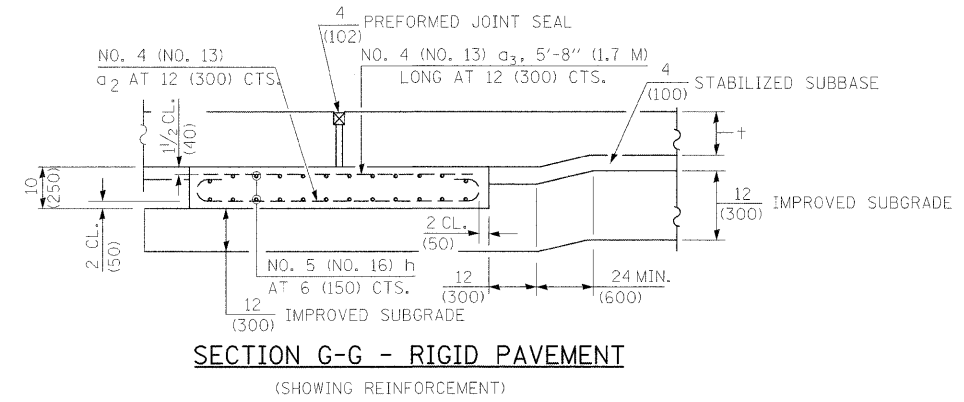
* SAW \square OR LANE EDGE IF Poured TWO OR MORE LANE WIDTHS AT A TIME.
 ** OMIT REINFORCEMENT, TIE BARS AND LONG. SAWED JT. FOR FLEXIBLE PAVEMENT.

RIGID PAVEMENT ONLY:
 WIDE FLANGE BEAM TERMINAL JOINT (SEE DETAIL AT BEAM - STANDARD 421101 OR 421106) OR 2 (50) TRANS. EXP. JOINT AS DETAILED ON STANDARD 420001.



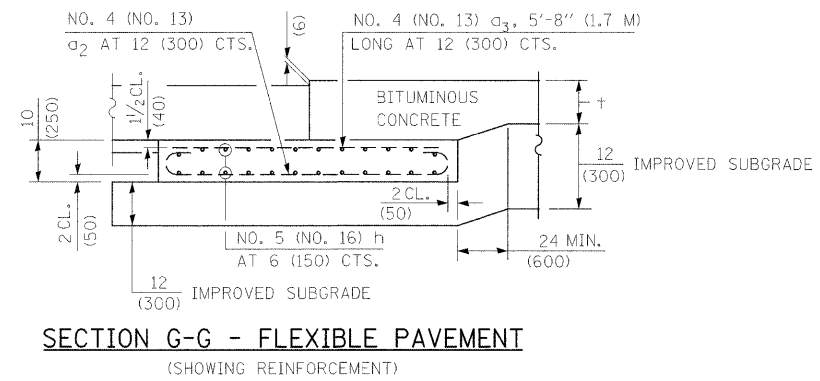
DETAIL B*

(REINFORCEMENT NOT SHOWN)



SECTION G-G - RIGID PAVEMENT

(SHOWING REINFORCEMENT)



SECTION G-G - FLEXIBLE PAVEMENT

(SHOWING REINFORCEMENT)

GENERAL NOTES

THICKNESS-''+=THICKNESS OF PAVEMENT.

SEE STANDARD 421001 FOR REINFORCEMENT DETAILS NOT SHOWN.

SEE STANDARD 420001 FOR JOINT DETAILS NOT SHOWN.

ALL DIMENSIONS ARE IN INCHES (MILLIMETERS) UNLESS OTHERWISE SHOWN.

FILE NAME =	USER NAME = marntm	DESIGNED -	REVISED -	STATE OF ILLINOIS DEPARTMENT OF TRANSPORTATION	BRIDGE APPROACH PAVEMENT DETAIL			F.A.P. RTE.	SECTION	COUNTY	TOTAL SHEETS	SHEET NO.
ca:\pw_work\pavdot\marntm\dms51935\p1n0206a.dgn	PLOT SCALE = 20,0000 ' / IN.	DRAWN -	REVISED -					325	3BR-2	JERSEY	90	38
	PLOT DATE = 12/11/2008	CHECKED -	REVISED -		CONTRACT NO. 76B01							
		DATE -	REVISED -		SCALE:	SHEET NO. 1 OF 4 SHEETS	STA.	TO STA.		FED. ROAD DIST. NO. 8 ILLINOIS FED. AID PROJECT		