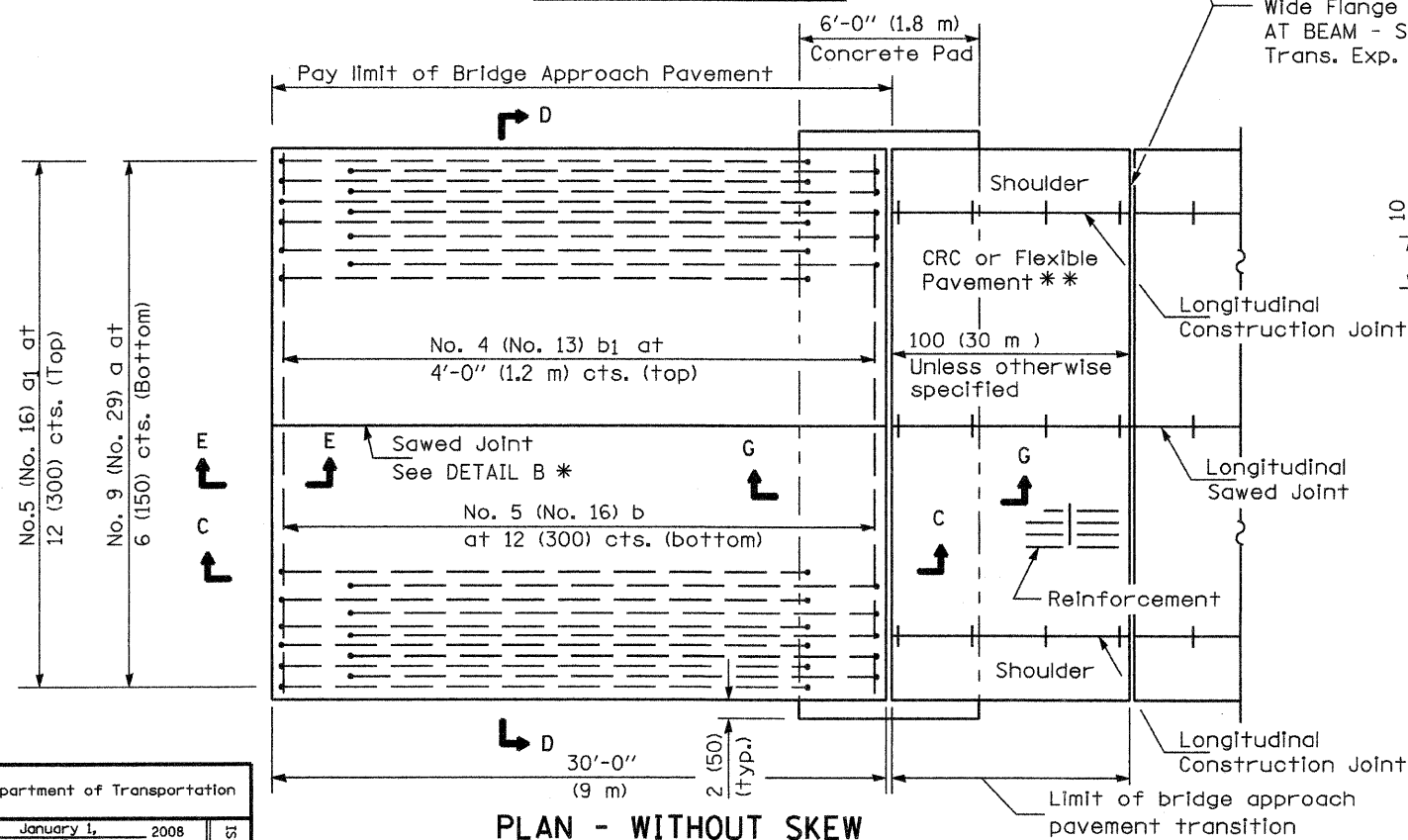


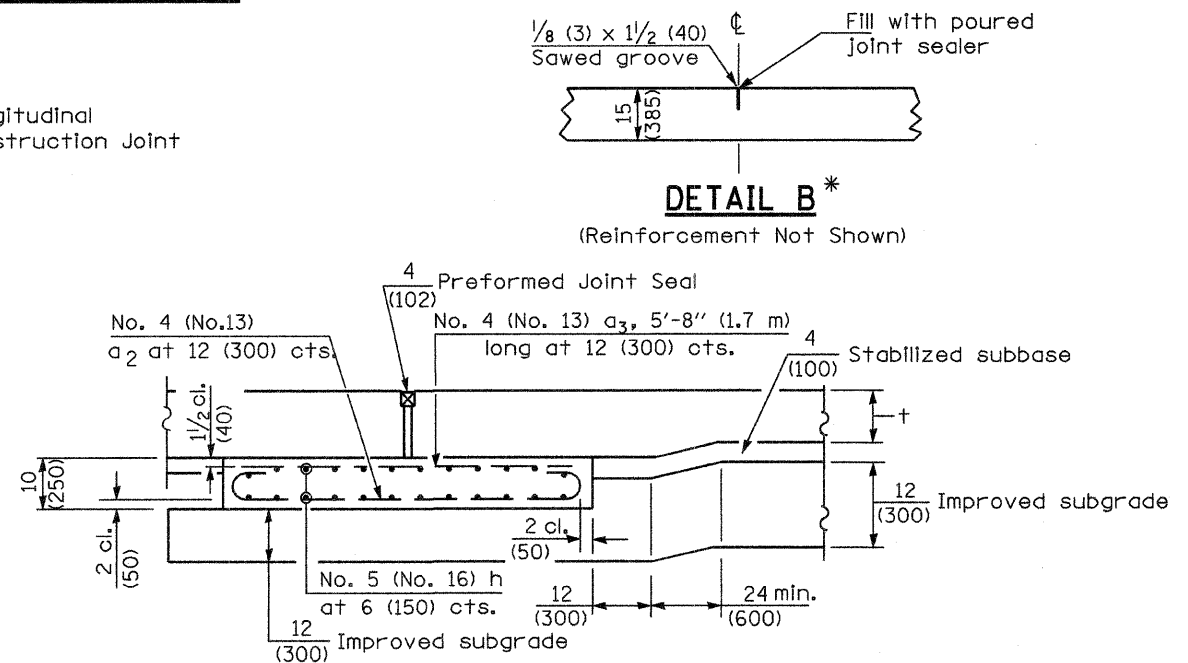
PLAN - WITH SKEW



PLAN - WITHOUT SKEW

* Saw \perp or lane edge if poured two or more lane widths at a time.
 ** Omit Reinforcement, tie bars and Long. sawed Jt. for Flexible Pavement.

NEW CONSTRUCTION

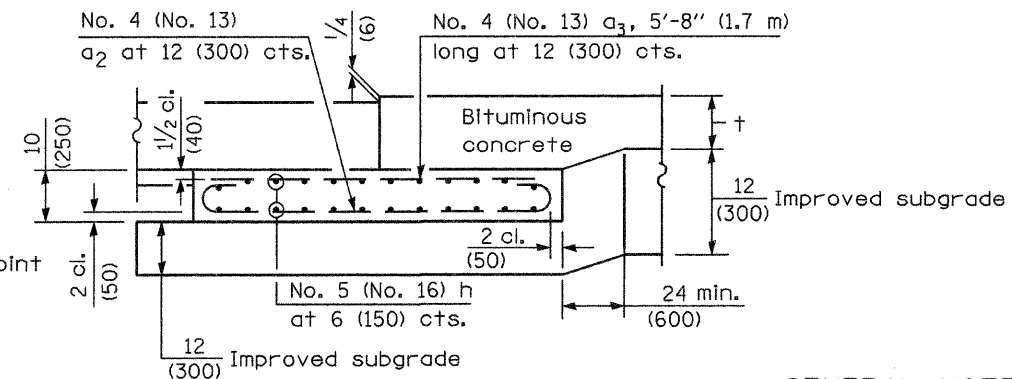


SECTION G-G - RIGID PAVEMENT

(Showing reinforcement)

Rigid Pavement only:

Wide Flange Beam Terminal Joint (See DETAIL AT BEAM - Standard 421101 or 421106) or 2 (50) Trans. Exp. Joint as detailed on Standard 420001.



SECTION G-G - FLEXIBLE PAVEMENT

(Showing reinforcement)

GENERAL NOTES

THICKNESS-"t"=Thickness of Pavement.
 See Standard 421001 for reinforcement details not shown.
 See Standard 420001 for joint details not shown.
 All dimensions are in inches (millimeters) unless otherwise shown.

Illinois Department of Transportation
 APPROVED January 1, 2008
Ralph E. Anderson
 ENGINEER OF BRIDGES AND STRUCTURES
 APPROVED January 1, 2008
Ken E. Han
 ENGINEER OF DESIGN AND ENVIRONMENT

ISSUED 1-1-97

DATE	REVISIONS
1-1-08	Switched units to English (metric). Moved rebar epoxy coat note to Standard Spec.
1-1-04	Rev. size of Trans. Exp. Jt. and soft converted metric reinf.

BRIDGE APPROACH PAVEMENT

(Sheet 1 of 4)

Contract 76301

Sheet 62a.