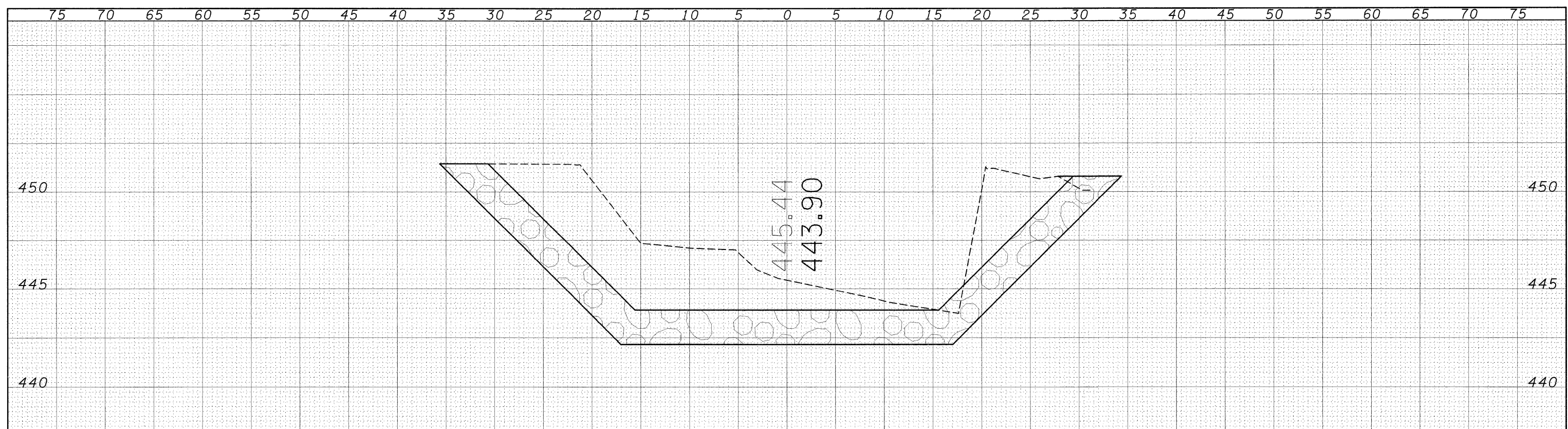


DATE	
BY	
SURVEY	
PLOTTED	
NOTE BOOK	
AREAS CHECKED	
NO.	

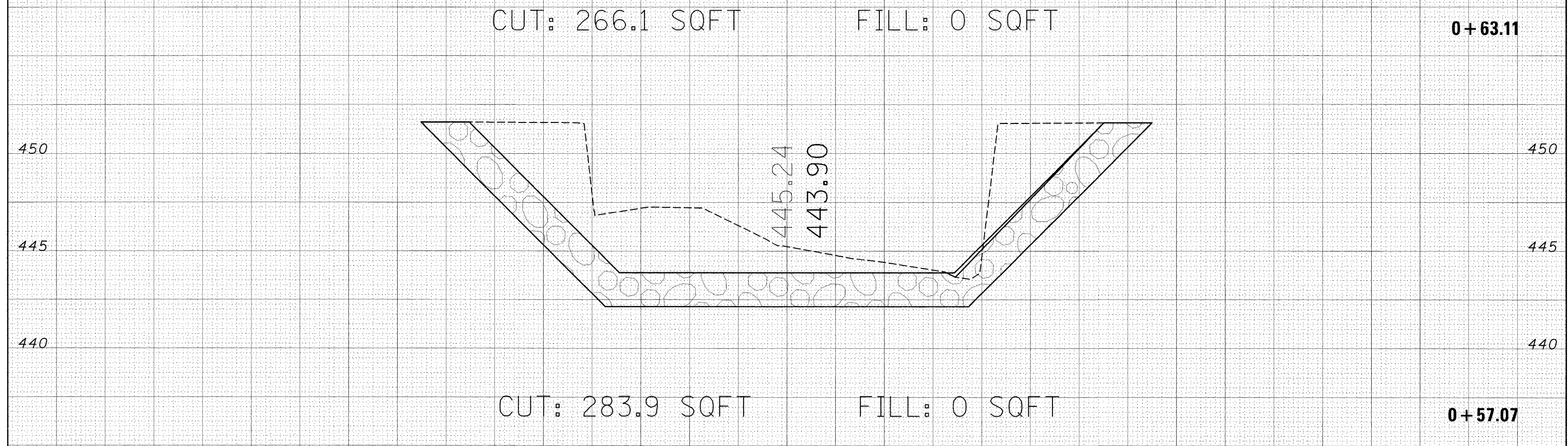


CUT: 266.1 SQFT

FILL: 0 SQFT

0+63.11

DATE	
BY	
SURVEY	
PLOTTED	
NOTE BOOK	
AREAS CHECKED	
NO.	



CUT: 283.9 SQFT

FILL: 0 SQFT

0+57.07