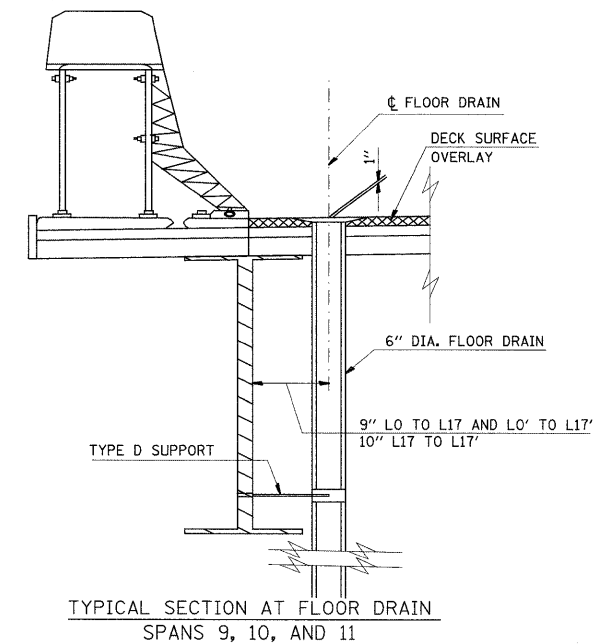
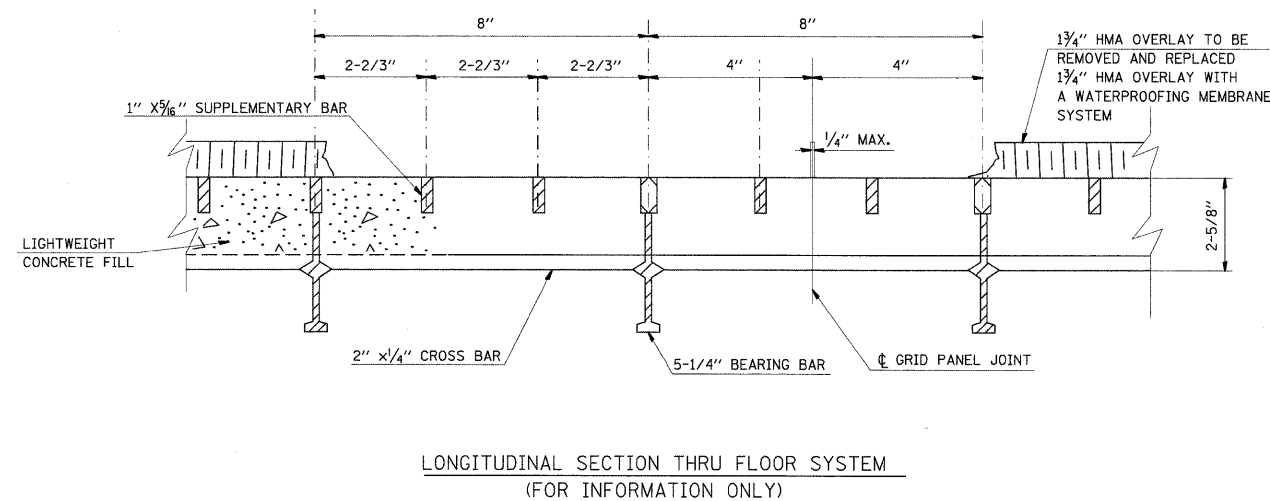


LEGEND

- ① PROPOSED BITUMINOUS CONCRETE REMOVAL (DECK), 1 3/4"
- ② PROPOSED POLYMERIZED BITUMINOUS CONCRETE SURFACE COURSE, SUPERPAVE, MIX D, N50 WITH WATERPROOFING MEMBRANE SYSTEM, 1 3/4" TOTAL DEPTH



FILE NAME = c:\pw_work\pwwdot\gelinh\d0141408\087601	USER NAME = gelinh -sht-details.dgn	DESIGNED - DRAWN -	REVISED - REVISED -	<b>STATE OF ILLINOIS DEPARTMENT OF TRANSPORTATION</b>	<b>STEEL GRID FLOOR SPAN 10 PANEL POINTS L17 THRU L17'</b>	F.A.P. RTE. 799	SECTION 1-I	COUNTY ST CLAIR	TOTAL SHEETS 15	SHEET NO. 6	
PLOT SCALE = 50.0000' / IN.						SCALE: _____ SHEET NO. ____ OF ____ SHEETS STA. _____ TO STA. _____		CONTRACT NO. 76D14			
PLOT DATE = 5/28/2009								ILLINOIS FED. AID PROJECT			
CHECKED - DATE -											