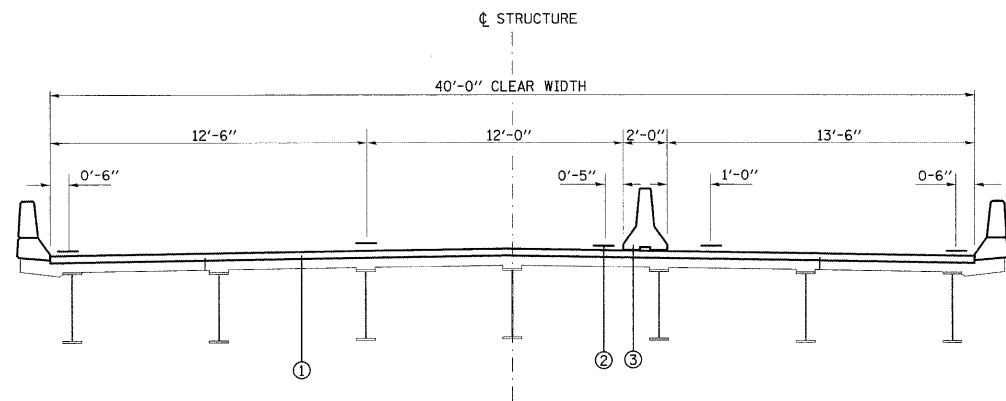


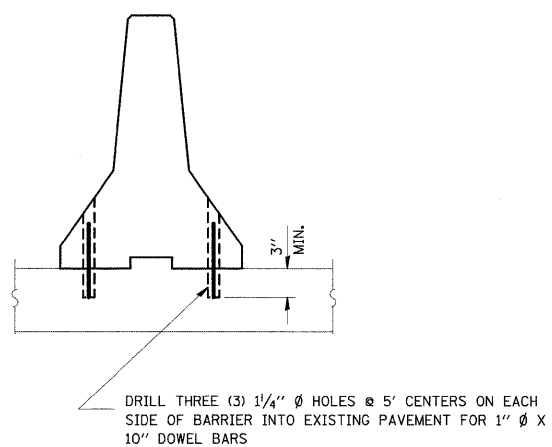
BARRIER AND PAVEMENT MARKING LOCATIONS



LEGEND

- ① PROPOSED POLYMERIZED HMA SURFACE COURSE
 - ② PROPOSED PREFORMED PLASTIC PAVEMENT MARKING
 - ③ CONCRETE SAFETY BARRIER, SPECIAL
- ALL PAVEMENT MARKINGS DIMENSIONS TO CENTER OF STRIPES

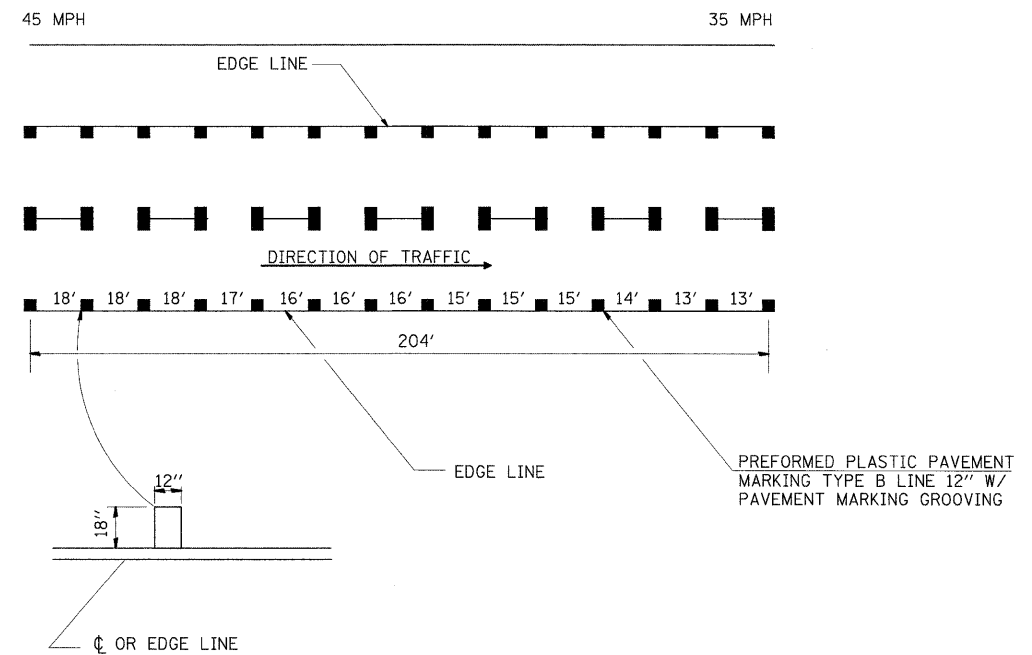
ANCHOR DETAIL



NOTE:
THE LAST UNIT OF CONCRETE SAFETY BARRIER SPECIAL ON THE ILLINOIS SIDE SHALL BE ANCHORED, AS SHOWN ABOVE, TO THE PAVEMENT. THE COST OF ANCHORAGE IS INCLUDED WITH CONCRETE SAFETY BARRIER, SPECIAL

DOWEL BARS SHALL BE IN ACCORDANCE WITH ARTICAL 1006.11

SPEED REDUCTION PAVEMENT MARKING DETAIL
(SEE PLAN SHEETS FOR LOCATIONS)



FILE NAME =	USER NAME = challandeske	DESIGNED -	REVISED -	STATE OF ILLINOIS DEPARTMENT OF TRANSPORTATION	MISCELLANEOUS DETAILS				F.A.P. RTE.	SECTION	COUNTY	TOTAL SHEETS	SHEET NO.
et:\pw_work\XPWIDOT\CHALLANDESKE\08141408	D876014-sht-pmk.dgn	DRAWN -	REVISED -						799	1-I	ST CLAIR	15	13
	PLOT SCALE = 50,0000' / IN.	CHECKED -	REVISED -		CONTRACT NO. 76D14								
	PLOT DATE = 6/19/2009	DATE -	REVISED -		ILLINOIS FED. AID PROJECT								
				SCALE:	SHEET NO.	OF SHEETS	STA.	TO STA.					