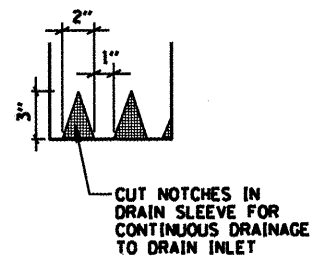
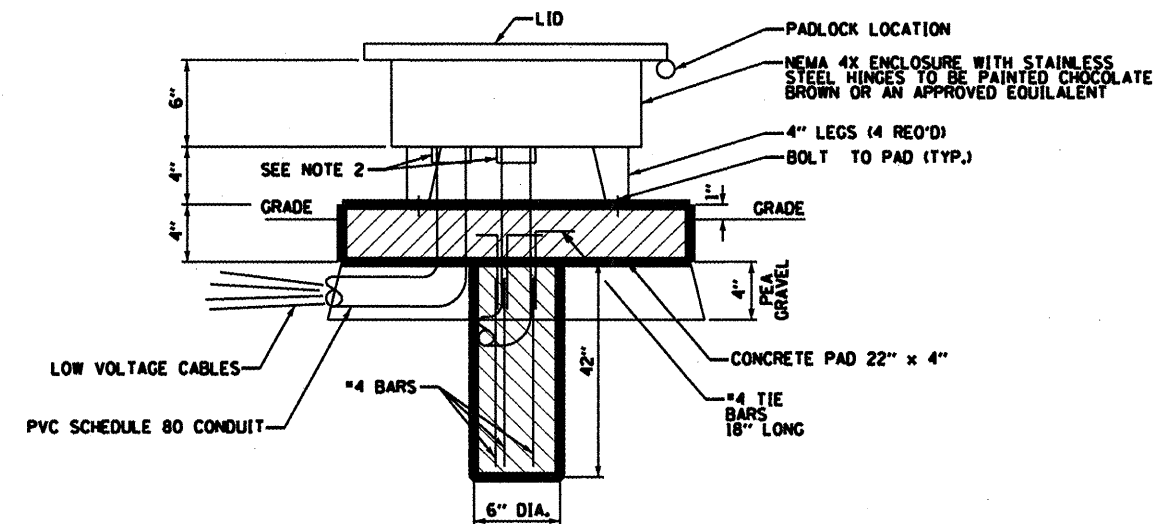


**INSPECTION PIPE DETAIL**



**DRAIN SLEEVE ELEVATION**



**NOTES:**

1. ALL ITEMS SHOWN IN THIS DETAIL SHALL BE INCLUDED IN THE CONTRACT UNIT PRICE FOR IRRIGATION SYSTEM UNLESSWISE NOTED.
2. PROVIDE NEMA 4 CONDUIT HUBS FOR ALL CONDUITS ENTERING NEMA 4X ENCLOSURE.

**MASTER IRRIGATION CONTROLLER ENCLOSURE DETAIL**

FILE NAME =	USER NAME = colemm	DESIGNED -	REVISED -
ca\pwwork\PIWIDOT\COLEMM\0138303\0978836.sht.mso.dgn		DRAWN -	REVISED -
PLOT SCALE = 41.4703' / 1" IN.		CHECKED -	REVISED -
PLOT DATE = 4/30/2009		DATE -	REVISED -

**STATE OF ILLINOIS  
DEPARTMENT OF TRANSPORTATION**

**LOCATION #1 OLD IL 13 INSPECTION PIPE & MASTER  
IRRIGATION CONTROLLER ENCLOSURE DETAILS**

SCALE: NONE SHEET NO. OF SHEETS STA. TO STA.

F.A.J. RTE.	SECTION	COUNTY	TOTAL SHEETS	SHEET NO.
57	(X1-6XLS-2	WILLIAMSON	10	8
CONTRACT NO. 78096			ILLINOIS FED. AID PROJECT	