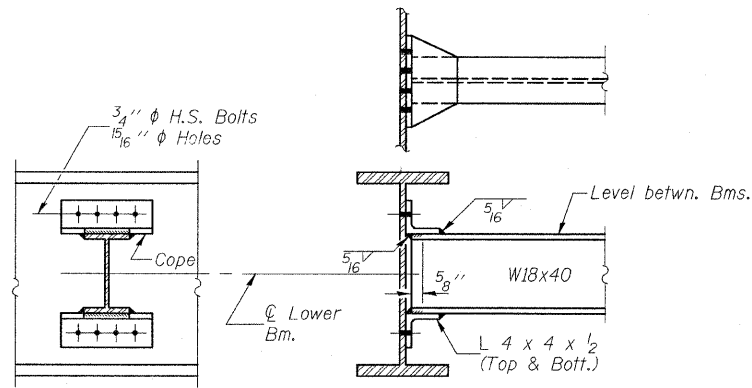


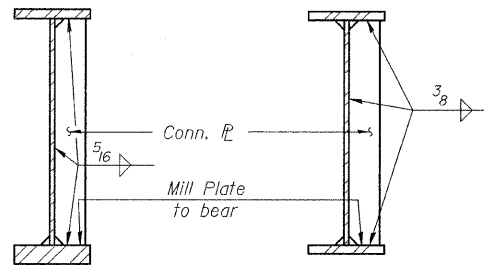
FISCAL YEAR	COUNTY	COUNTY HIGHWAY	TOTAL SHEETS	SHEET NO.
2007	DUPAGE	*	241	117
CONTRACT NUMBER 83908				
SECTION 97-00084-00-BR				
• FAU 3549/ FAU 1432				



DIAPHRAGM D

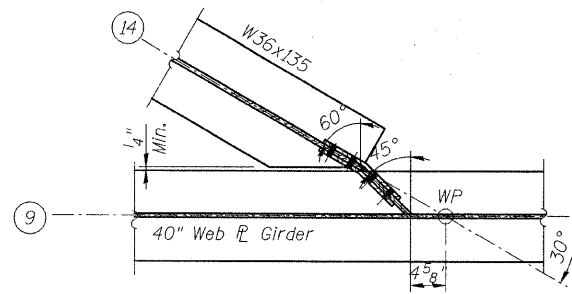
(40 Required)
(M 270 Gr. 36)

Note: Two hardened washers shall be required over all oversize holes for diaphragms.

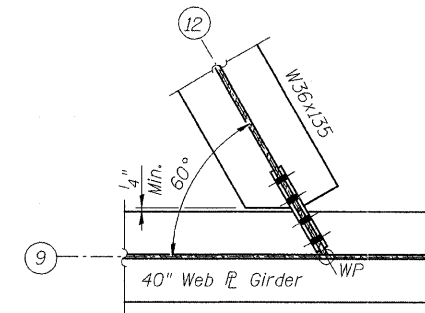


Conn. Type 1 thru 5 and Type 9 Conn. Type 6 thru 8

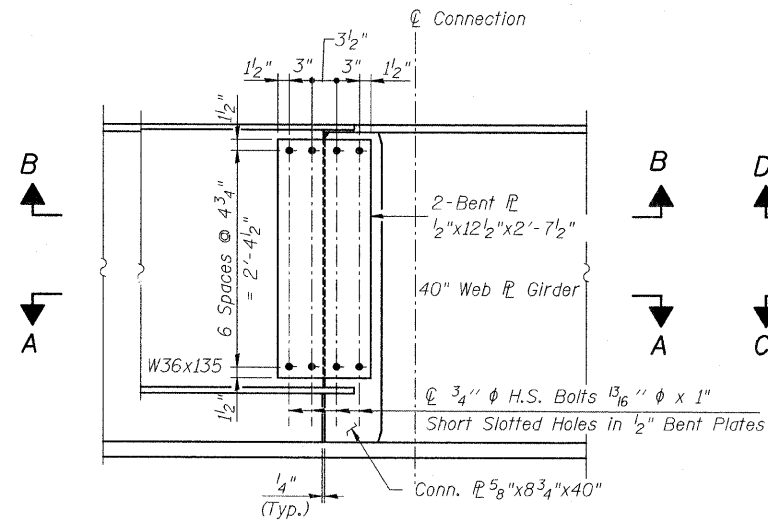
SECTION AT WELDED CONNECTION PLATE



SECTION B-B

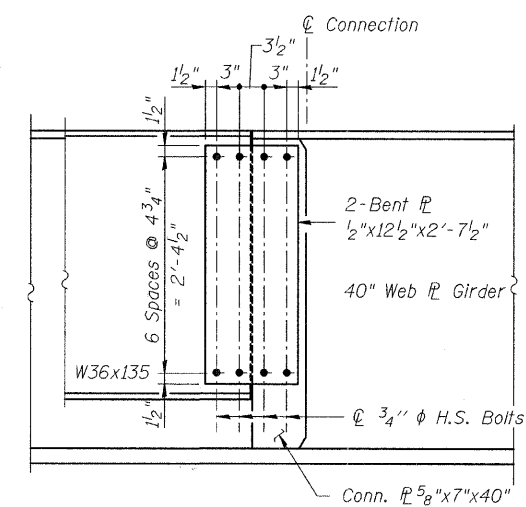


SECTION D-D

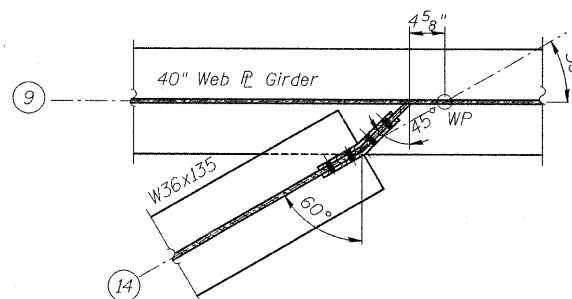


CONNECTION TYPE 1

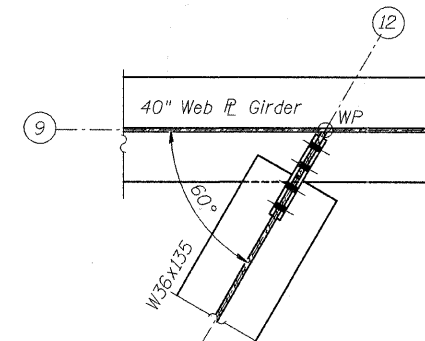
Girder (9) at Beam (14) shown
Girder (1) at Beam (0) similar



CONNECTION TYPE 2



SECTION A-A



SECTION C-C

Notes:

1. For Connection Details Type 3 thru 6, see Sht. S-15.
2. For Connection Details Type 7 thru 9, see Sht. S-16.
3. Connection Plates shall be M270 Gr. 50 (NTR).

CITY OF WHEATON	
MANCHESTER ROAD/ WESLEY STREET OVER UNION PACIFIC RAILROAD	
STEEL DETAILS	
DRAWN	JM
CHECKED	VEVS
APPROVED	BSK
DATE	06/04/2008
SCALE	NONE
SHEET NO.	
S-14	

HDR
HDR Engineering, Inc.