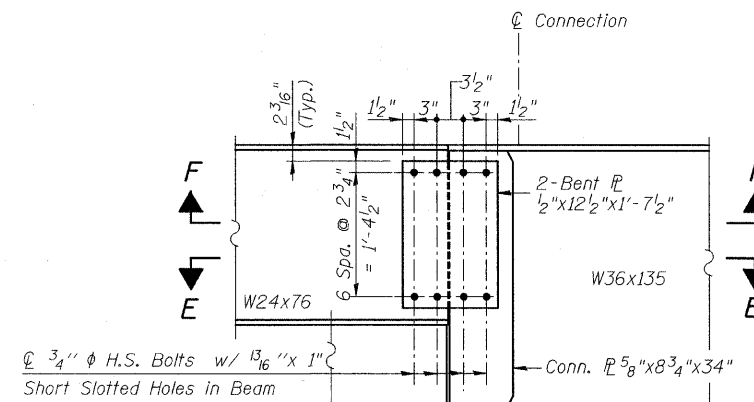
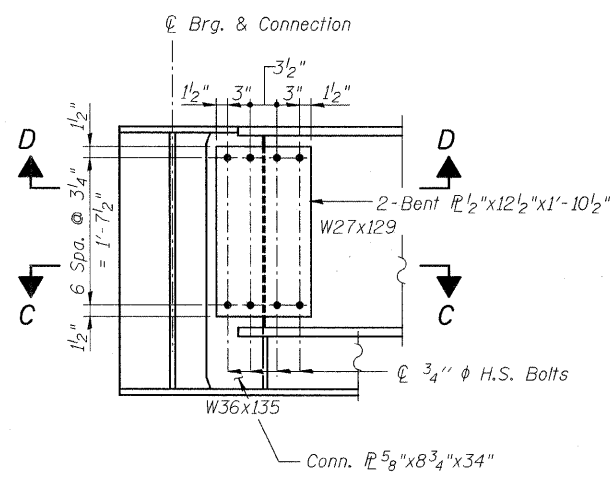
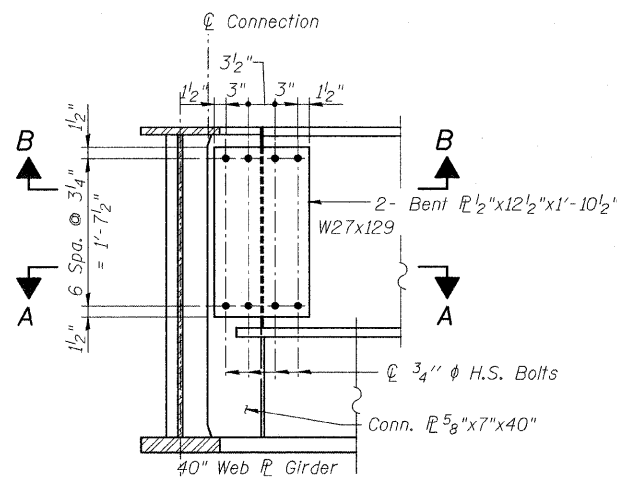
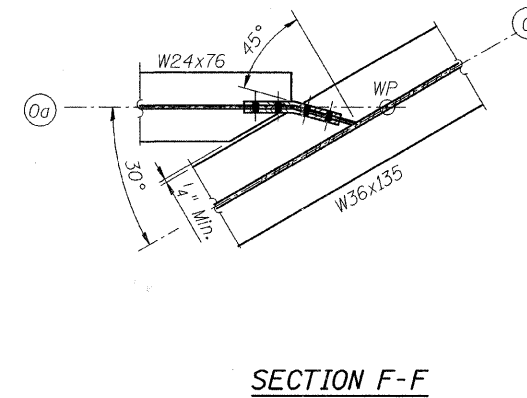
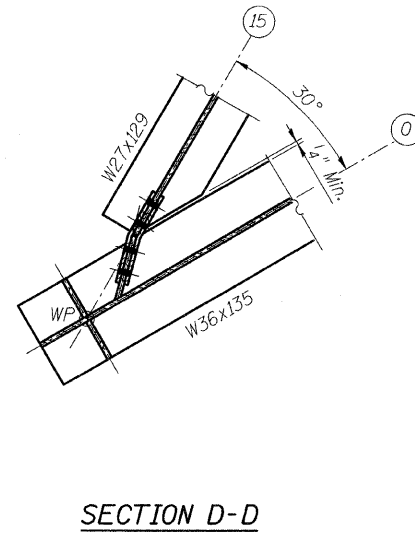
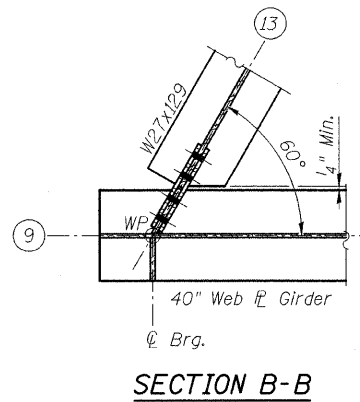


FISCAL YEAR	COUNTY	COUNTY HIGHWAY	TOTAL SHEETS	SHEET NO.
2007	DUPAGE	*	241	119
CONTRACT NUMBER 83908				
SECTION 97-00084-00-BR				
* FAU 3549/ FAU 1432				

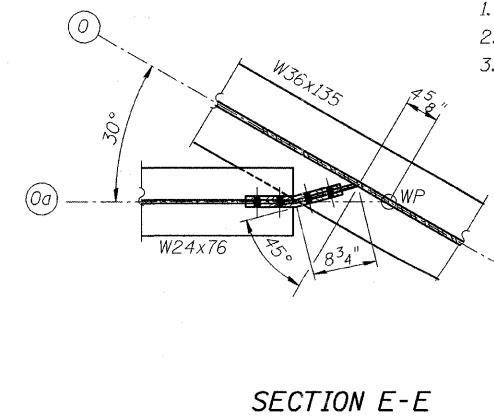
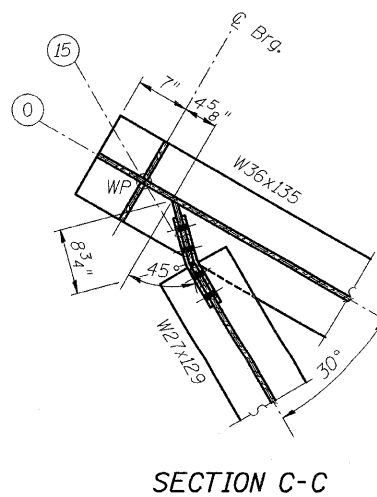
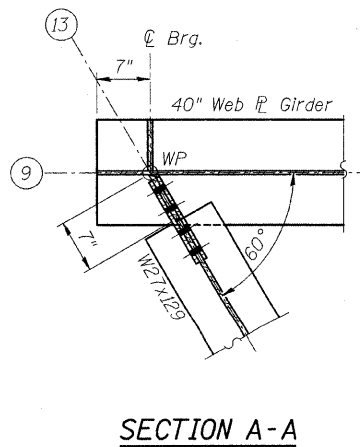


CONNECTION TYPE 7

Girder (9) at Beam (13) shown
Girder (1) at Beam (15) similar, opposite

CONNECTION TYPE 8

CONNECTION TYPE 9



- Notes:
1. For Connection Details Type 1 and 2, see Sht. S-14.
 2. For Connection Details Type 3 thru 6, see Sht. S-15.
 3. All Connection Plates shall be M270 Gr. 50 (NTR).

CITY OF WHEATON		
MANCHESTER ROAD/ WESLEY STREET OVER UNION PACIFIC RAILROAD		
STEEL DETAILS		
DRAWN	JM	SHEET NO.
CHECKED	VEVS	S-16
APPROVED	BSK	
DATE	06/04/2008	
SCALE	NONE	

HDR
HDR Engineering, Inc.