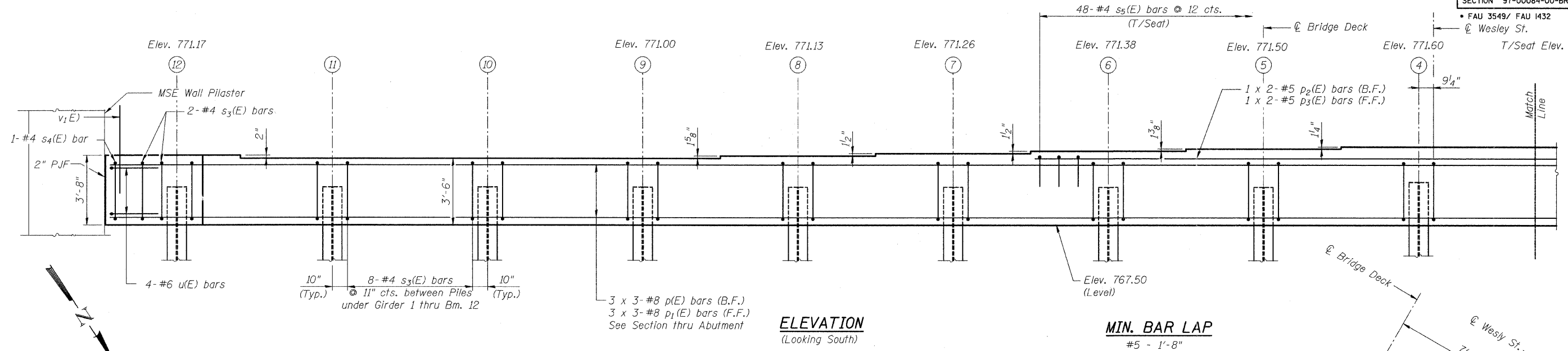


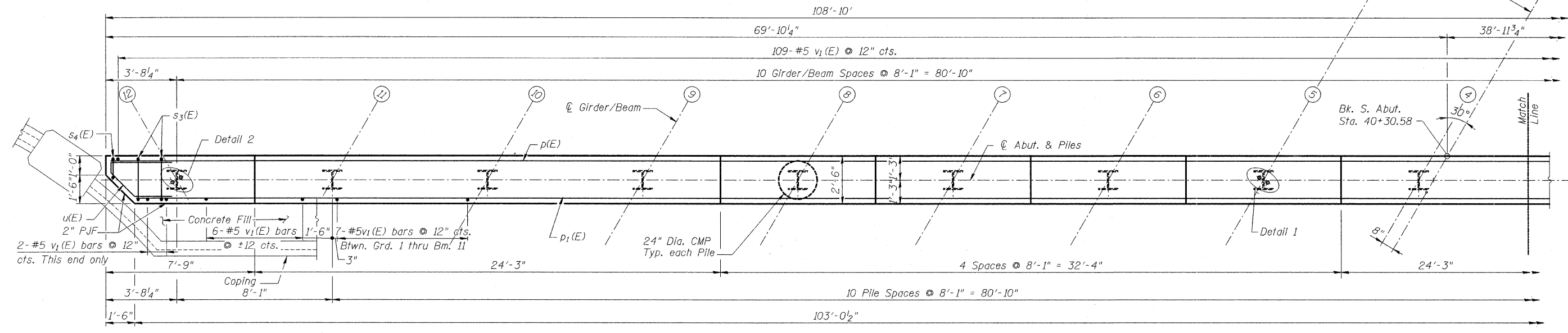
FISCAL YEAR	COUNTY	COUNTY HIGHWAY	TOTAL SHEETS	SHEET NO.
2007	DUPAGE	•	241	122
CONTRACT NUMBER 83908				
SECTION 97-00084-00-BR				

• FAU 3549/ FAU 1432  
 • Wesley St.  
 T/Seat Elev.

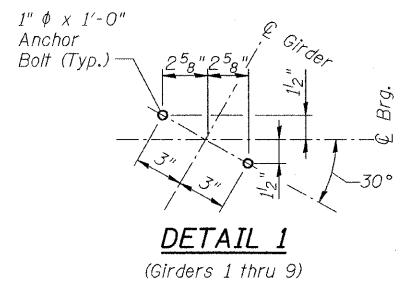


**ELEVATION**  
(Looking South)

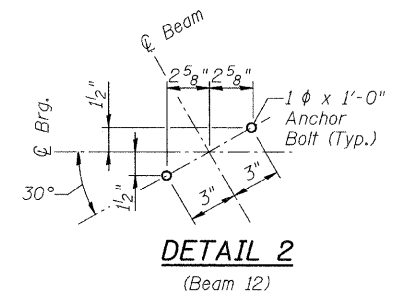
**MIN. BAR LAP**  
 #5 - 1'-8"  
 #8 - 3'-5"



**PLAN**



**DETAIL 1**  
(Girders 1 thru 9)



**DETAIL 2**  
(Beam 12)

- Notes:
1. See Sht. S-20 for Abutment continuation, sections and details not shown here and Bill of Material.
  2. Bars indicated thus 10 x 3-#5 etc. indicates 20 lines of bars with 3 lengths per line.
  3. Four steps monolithic with cap.

<b>CITY OF WHEATON</b>		
MANCHESTER ROAD/ WESLEY STREET OVER UNION PACIFIC RAILROAD		
<b>S. ABUTMENT DETAILS</b>		
DRAWN	JM	SHEET NO.
CHECKED	VEVS	<b>S-19</b>
APPROVED	BSK	
DATE	06/04/2008	
SCALE	NONE	

**HDR**  
 HDR Engineering, Inc.