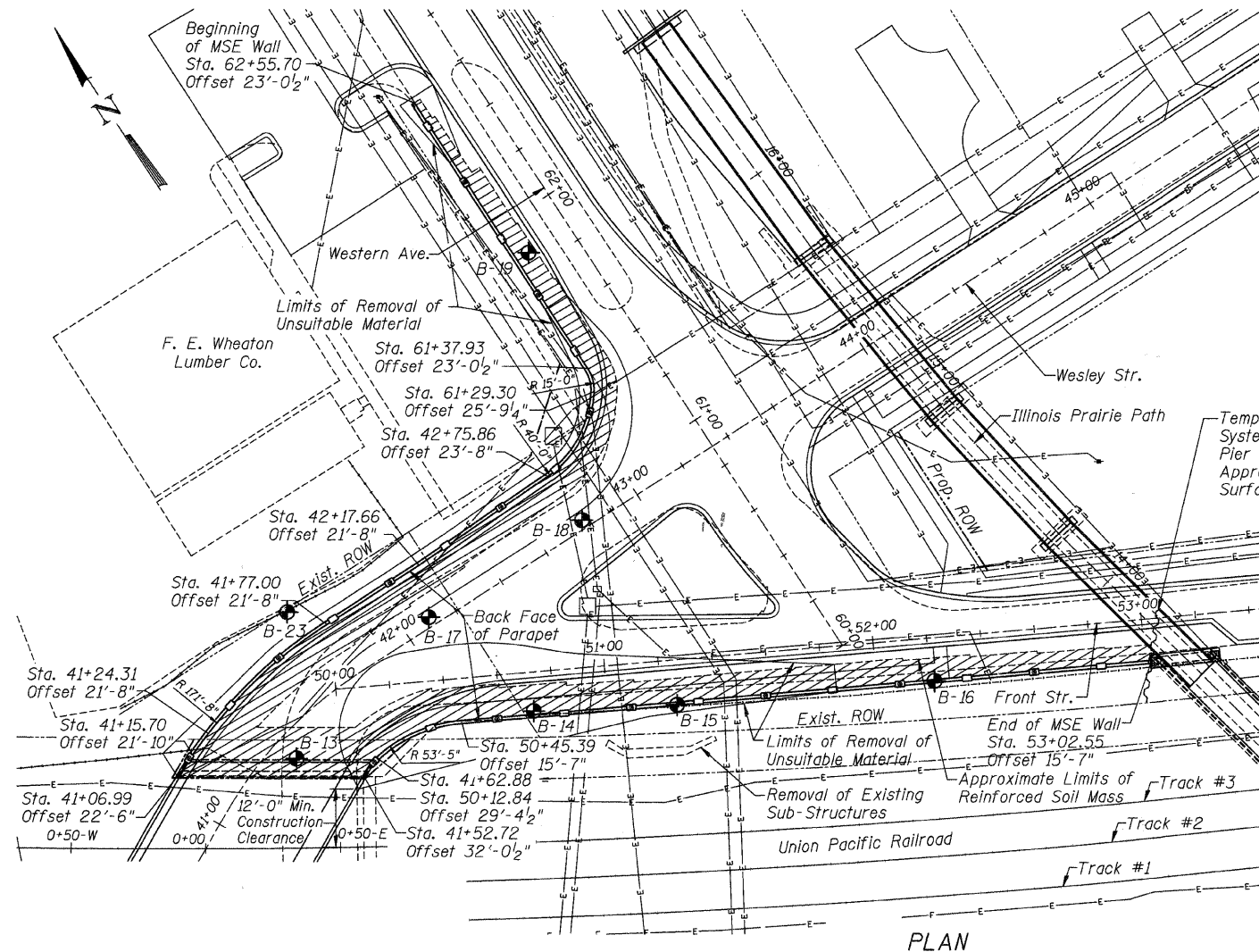
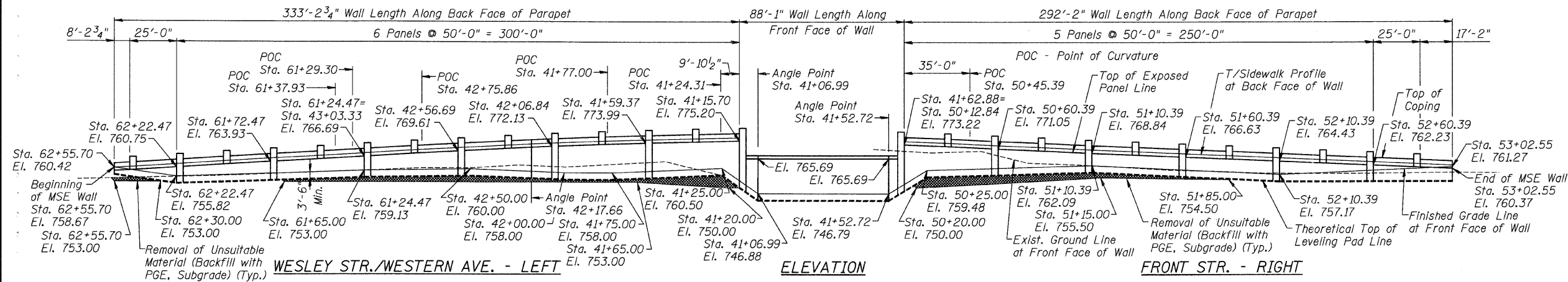


FISCAL YEAR	COUNTY	COUNTY HIGHWAY	TOTAL SHEETS	SHEET NO.
2007	DUPAGE	•	241	129
CONTRACT NUMBER 83908				
SECTION 97-00084-00-BR				
• FAU 3549/ FAU 1432				



BILL OF MATERIAL

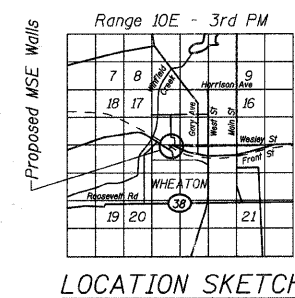
Item	Unit	Quantity
Mechanically Stabilized Earth Retaining Wall	Sq. Ft.	9,688
Removal and Disposal of Unsuitable Material	Cu. Yd.	1,034
Porous Granular Embankment, Subgrade	Cu. Yd.	1,034
Temporary Soil Retention System	Sq. Ft.	80

Existing Structure: none
 Salvage: none

LEGEND

- Reinforced Soil Mass
- Removal of Unsuitable Material
- Soil Boring

Note:
 Internal Wall Stability has not been consider for this drawing.
 The Supplier/ Designer shall be responsible for all internal stability aspects of the wall design.



CITY OF WHEATON

MANCHESTER ROAD/ WESLEY STREET
 OVER UNION PACIFIC RAILROAD

MSE RETAINING WALL

WESLEY ST. AND FRONT ST.

DRAWN	JM	SHEET NO.
CHECKED	VEVS	
APPROVED	BSK	
DATE	06/04/2008	
SCALE	NONE	

S-26

HDR
 HDR Engineering, Inc.