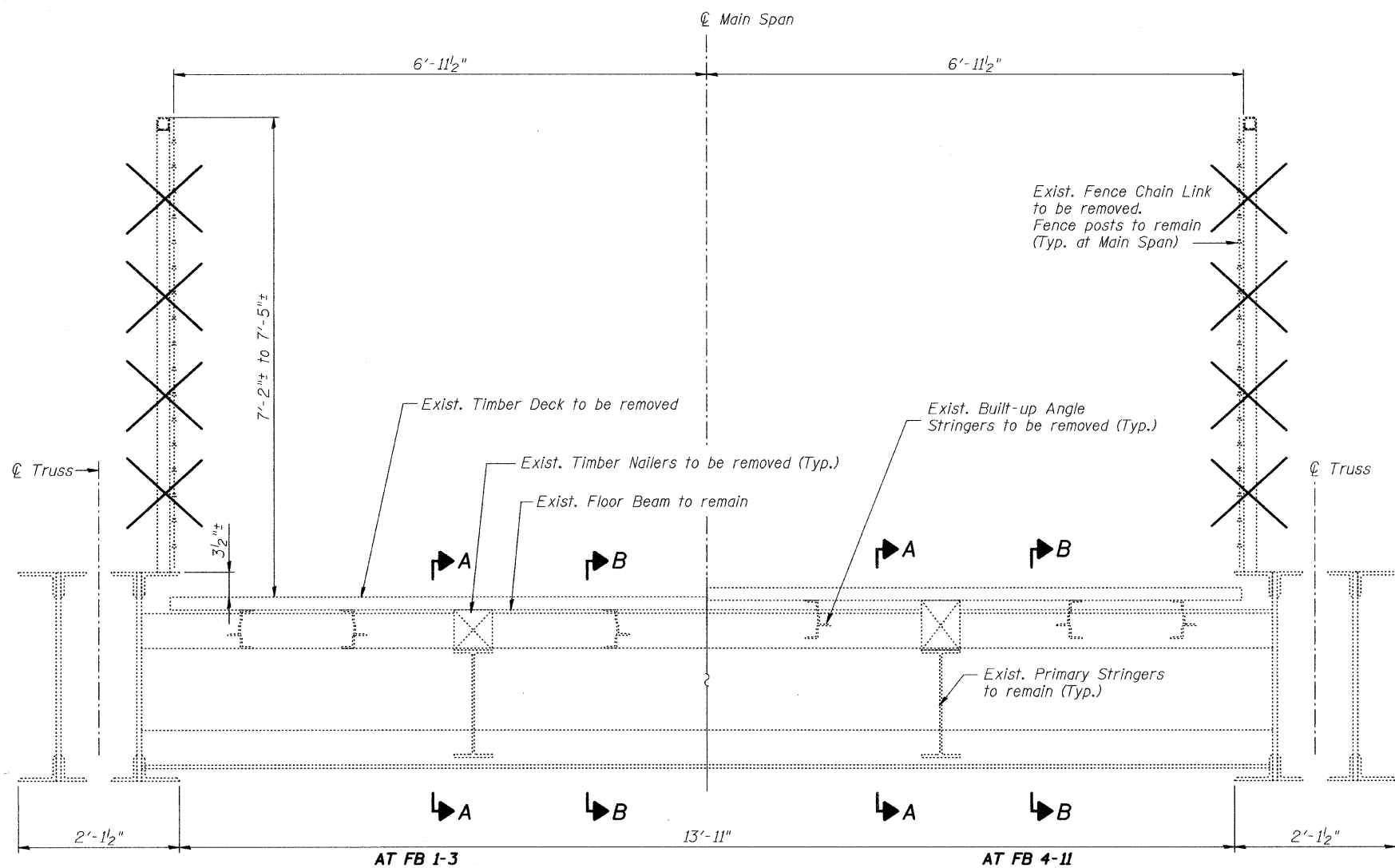


FISCAL YEAR	COUNTY	COUNTY HIGHWAY	TOTAL SHEETS	SHEET NO.
2007	DUPAGE	*	241	141

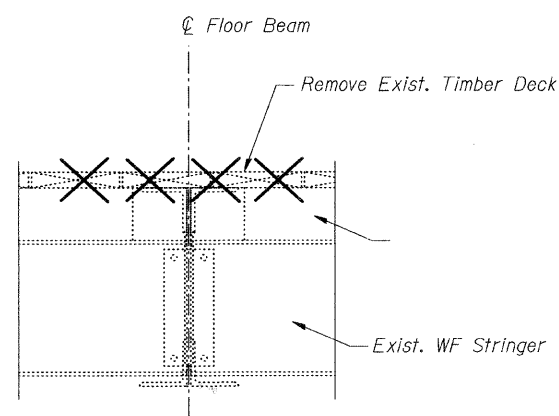
CONTRACT NUMBER 83908

SECTION 97-00084-00-BR

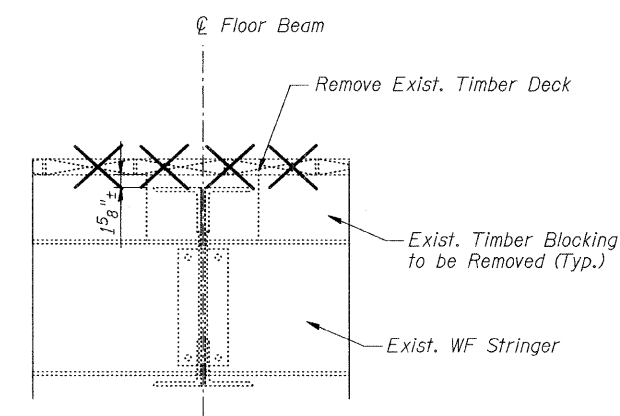
• FAU 3549/ FAU 1432



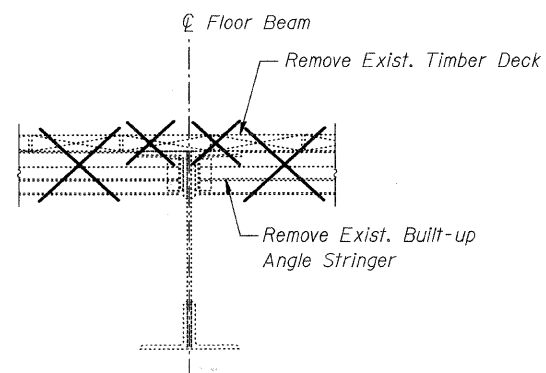
TYP. MAIN SPAN CROSS SECTION (Exist.)
(Looking South)



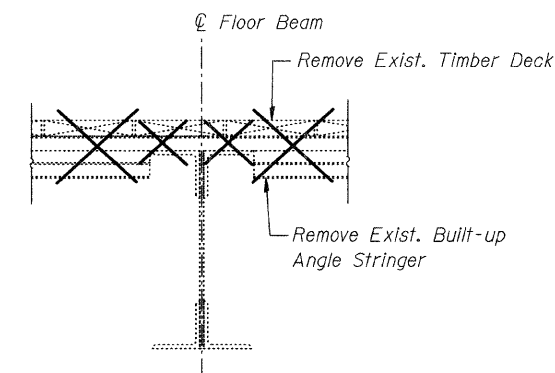
SECTION A-A
FB 1-3



SECTION A-A
FB 4-11



SECTION B-B
FB 1-3



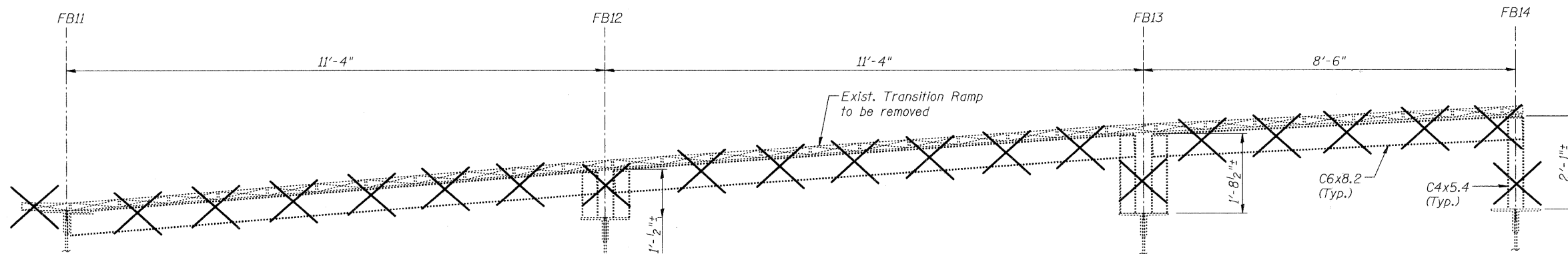
SECTION B-B
FB 4-11

LEGEND

✕ Demolition

NOTES:

1. Demolition of existing main span timber deck, nailers, secondary built-up stringers, transition ramp and supports, and fencing shall be paid for as Removal of Existing Structures No. 2.



MAIN SPAN - EXIST. TRANSITION RAMP
(Looking East)

CITY OF WHEATON	
ILLINOIS PRAIRIE PATH BRIDGE OVER UNION PACIFIC RAILROAD, FRONT STREET AND WESLEY STREET	
DEMOLITION DETAILS EXISTING MAIN SPAN	
DRAWN	JM/PES/TV
CHECKED	VEYS
APPROVED	BSK
DATE	06/04/2008
SCALE	NONE
SHEET NO. IPP-4	

HDR
HDR Engineering, Inc.