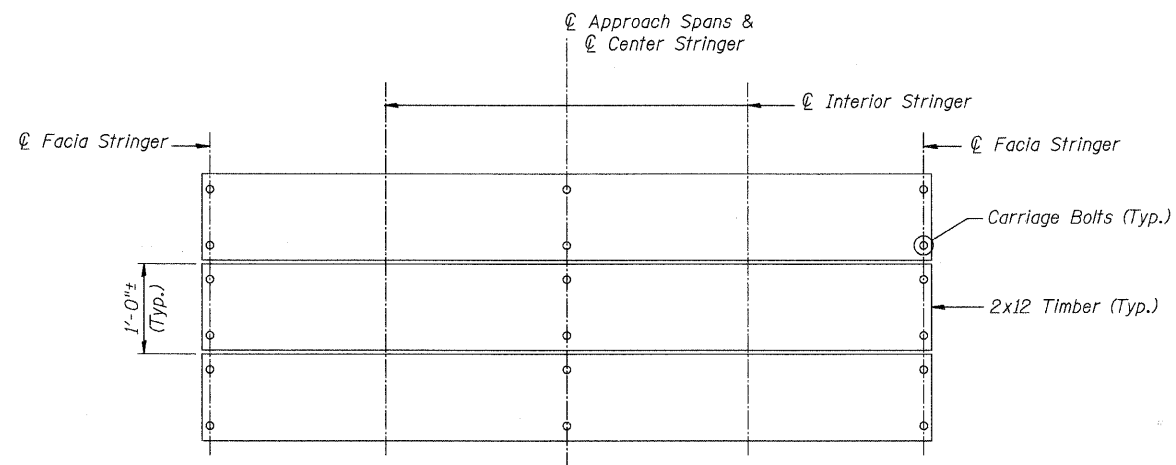
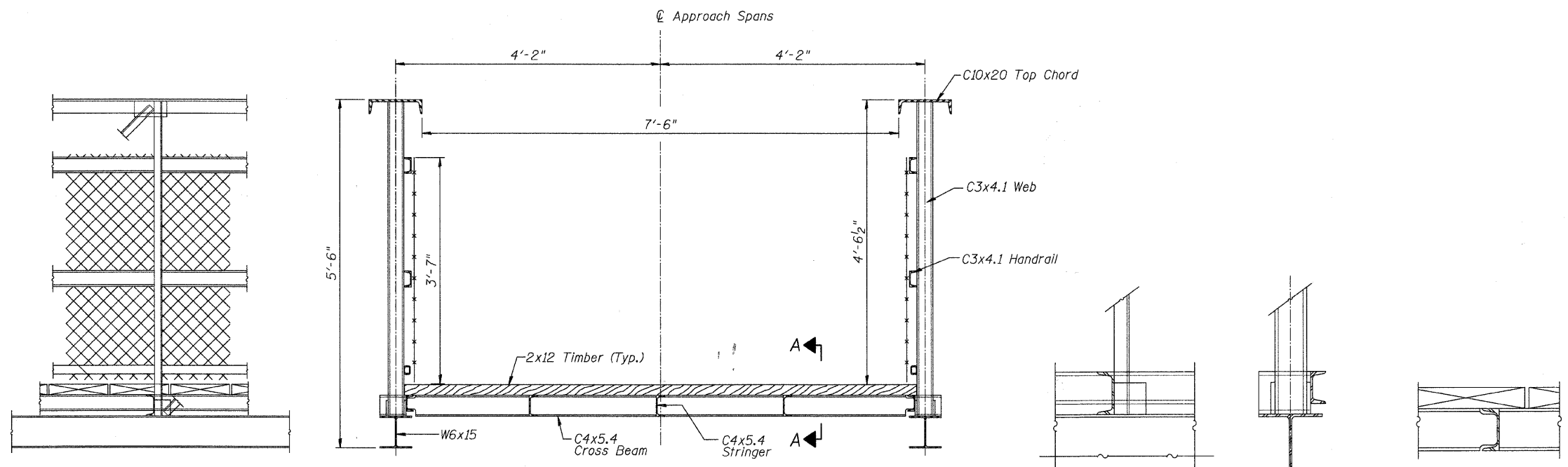


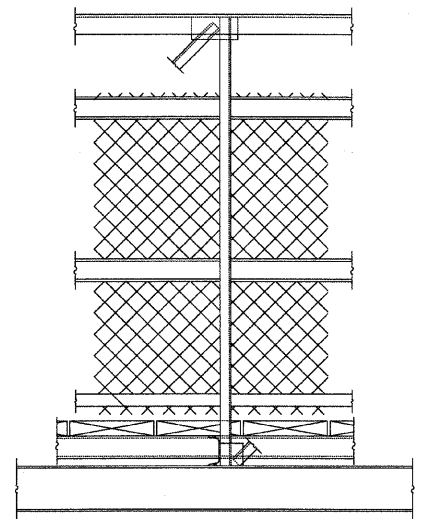
FISCAL YEAR	COUNTY	COUNTY HIGHWAY	TOTAL SHEETS	SHEET NO.
2007	DUPAGE	•	241	142
CONTRACT NUMBER 83908				
SECTION 97-00084-00-BR				
• FAU 3549/ FAU 1432				



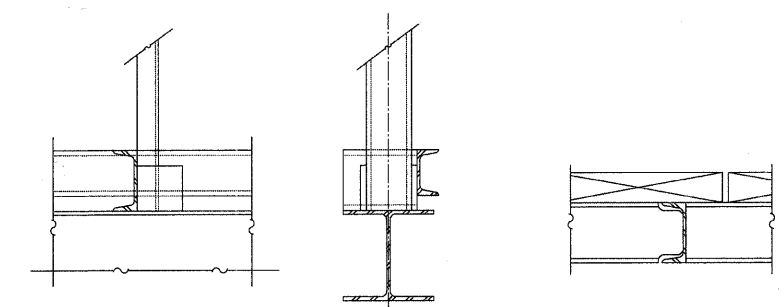
PLAN - TYPICAL TIMBER ATTACHMENT



TYP. FLOOR SYSTEM SECTION



HANDRAIL DETAIL



HANDRAIL ATTACHMENT DETAILS

SECTION A-A

TYP. APPROACH SPANS CROSS SECTION (Exist.)

- FOR INFORMATION ONLY -



CITY OF WHEATON		
ILLINOIS PRAIRIE PATH BRIDGE OVER UNION PACIFIC RAILROAD, FRONT STREET AND WESLEY STREET		
DEMOLITION DETAILS EXISTING APPROACH SPANS		
DRAWN	JM/PES/TV	SHEET NO.
CHECKED	VEYS	IPP-5
APPROVED	BSK	
DATE	06/04/2008	
SCALE	NONE	