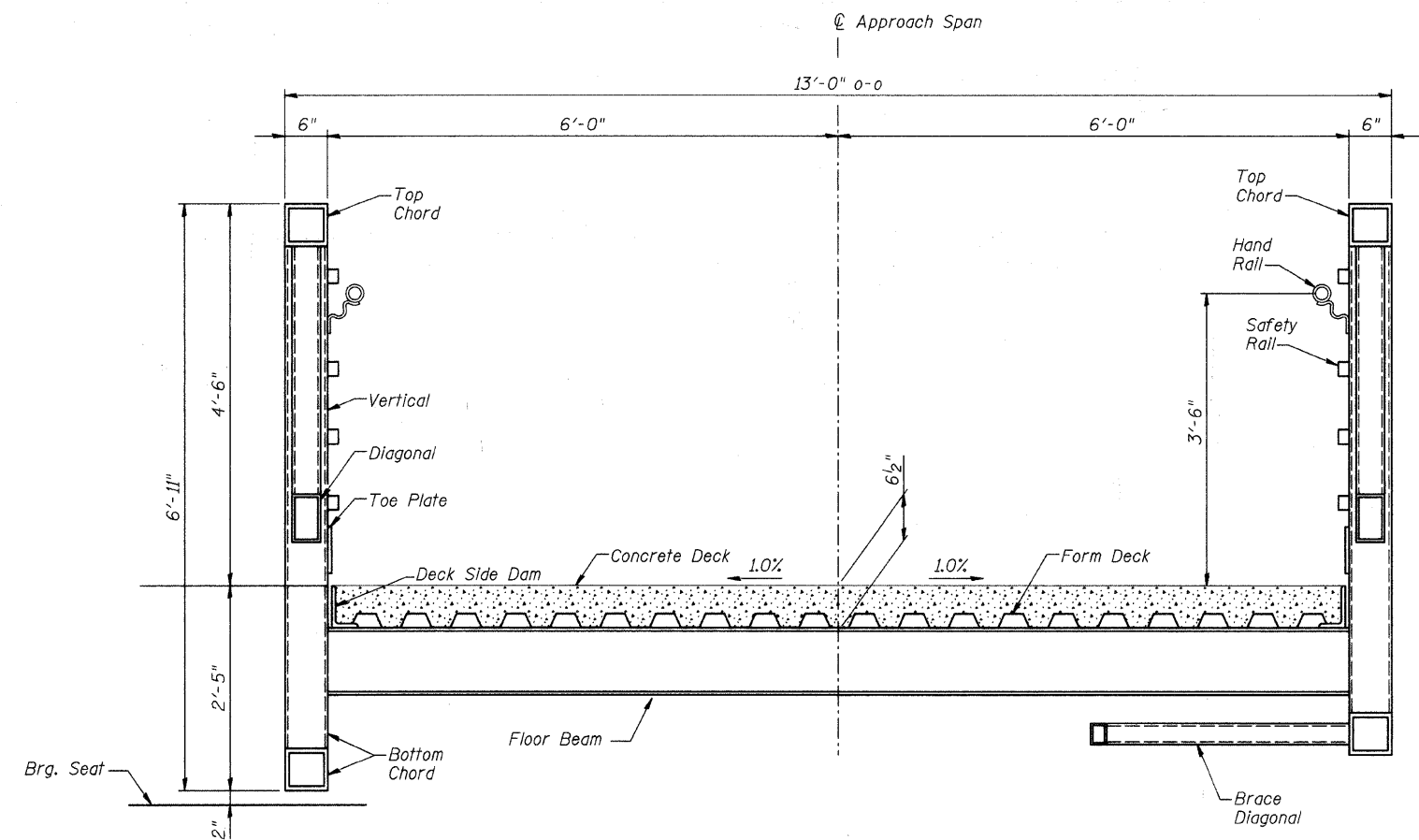
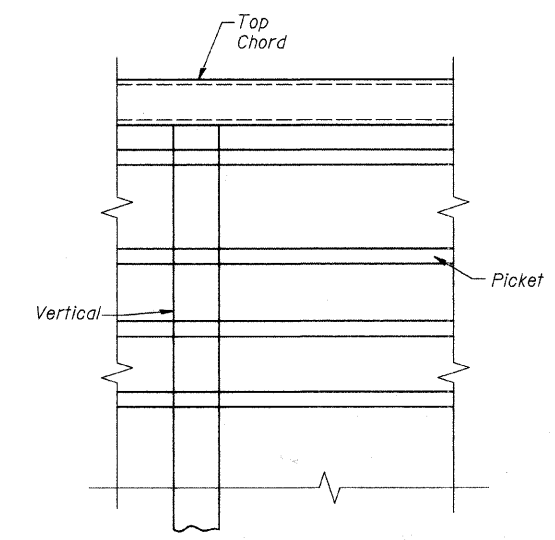


FISCAL YEAR	COUNTY	COUNTY HIGHWAY	TOTAL SHEETS	SHEET NO.
2007	DUPAGE	*	241	148
CONTRACT NUMBER 83908				
SECTION 97-00084-00-BR				
• FAU 3549/ FAU 1432				



CROSS SECTION - PROPOSED APPROACH SPANS (TYP.)
(Looking North)



TYPICAL PICKET LAYOUT



CITY OF WHEATON		
ILLINOIS PRAIRIE PATH BRIDGE OVER UNION PACIFIC RAILROAD, FRONT STREET AND WESLEY STREET		
APPROACH SPANS TYP. SECTION		
DRAWN	JM/PES/TV	SHEET NO.
CHECKED	VEVS	IPP-11
APPROVED	BSK	
DATE	06/04/2008	
SCALE	NONE	

IPP-11-00084-00-BR.dwg 6/2/2008 3:28:56 PM