

Index of Sheets:

1. Title Sheet
2. Summary of Quantities
3. Typical Section
4. Overall Plan
5. FAU 5500 West Main Street Sta 80+16.62-84+50
6. FAU 5500 West Main Street Sta 84+50-91+00
7. FAU 5500 West Main Street Sta 91+00-97+00
8. FAU 5500 West Main Street Sta 97+00-102+04.78
9. Oak Street and Spring Street
10. B Street
11. A Street
12. FAU 5502 First Street
13. Pavement Marking Plan
14. Detail Sheet

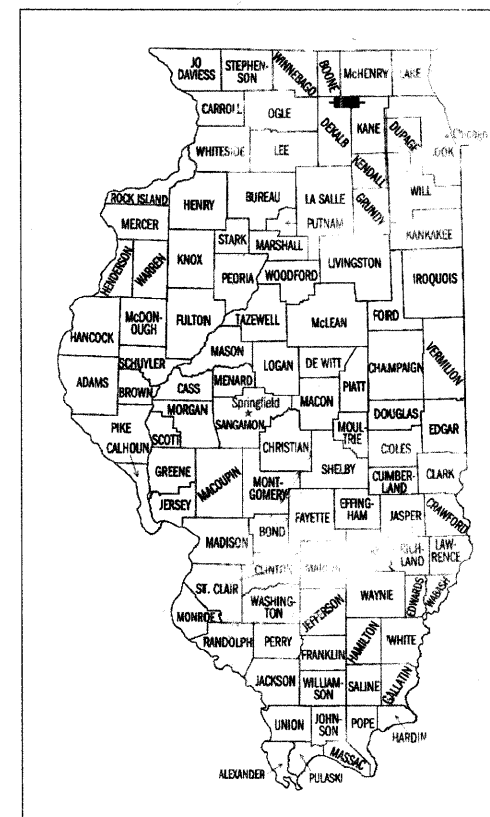
State Standards:

- 000001-05 STANDARD SYMBOLS, ABBREVIATIONS AND PATTERNS
- 424001-05 CURB RAMPS FOR SIDEWALKS
- 606001-04 CONCRETE CURB TYPE B AND COMBINATION CONCRETE CURB AND GUTTER
- 701301-03 LANE CLOSURE, 2L, 2W, SHORT TIME OPERATIONS
- 701901-01 TRAFFIC CONTROL DEVICES
- 780001-02 TYPICAL PAVEMENT MARKINGS

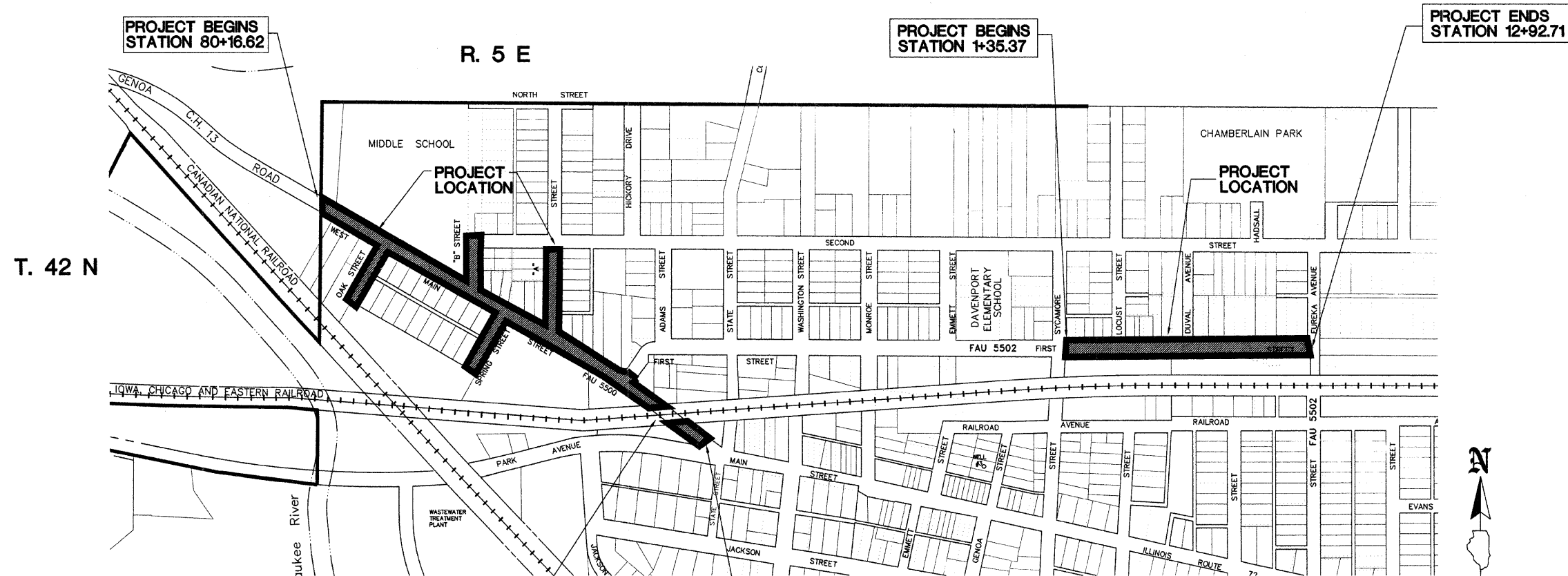
**State Of Illinois
Department Of Transportation
Division Of Highways
American Recovery and Reinvestment Act of 2009
FAU 5500 WEST MAIN STREET
FAU 5502 FIRST STREET
RESURFACING PROJECT
City Of Genoa**

LOCAL AGENCY PAVEMENT PRESERVATION
SECTION NUMBER: 09-00031-01-RS
PROJECT NUMBER: ARA-5094(001)
JOB NUMBER: C-93-121-09

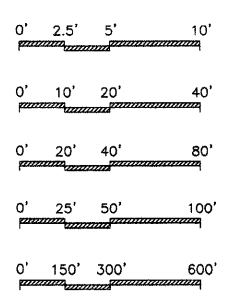
ROUTE NO.	LOCAL AGENCY	COUNTY	SECTION	TOTAL SHEETS	SHEET NO.
FAU 5500 FAU 5502	Genoa	DeKalb	19	14	1
LOCAL AGENCY PAVEMENT PRESERVATION					
CONTRACT: 87405			SECTION: 09-00031-01-RS		



LOCATION OF SECTION, INDICATED THUS: ■



Graphic Scales:



AREA OF OMISSION
AROUND RAILROAD TRACKS
STATION 99+94.37 TO STATION 100+05.63

PROJECT ENDS
STATION 102+04.78

LOCATION MAP

SCALE: 1"=300'
GROSS LENGTH = 4094.12' = 0.775 Miles
OMISSION LENGTH = 1126' = 0.002 Miles
NET LENGTH = 4082.86' = 0.773 Miles

CLASS II
AVERAGE DAILY TRAFFIC (ADT) = 4450
POSTED SPEED LIMIT = 25 MPH

SITE BENCHMARK:
ELEVATION 805.36 - DISC IN SOUTHEAST CORNER OF
BRIDGE WALL SOUTHSIDE OF ROUTE 72

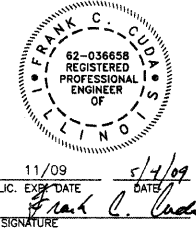


**STATE OF ILLINOIS
DEPARTMENT OF TRANSPORTATION
DIVISION OF HIGHWAYS**

SUBMITTED May 4 2009
Bill A. Hall
MAYOR OF GENOA

APPROVED May 26 2009
Harold B. Long
DISTRICT ENGINEER OF LOCAL ROADS AND STREETS

APPROVED May 26 2009
George F. Ryan
DEPUTY DIRECTOR OF HIGHWAYS, REGION 2 ENGINEER

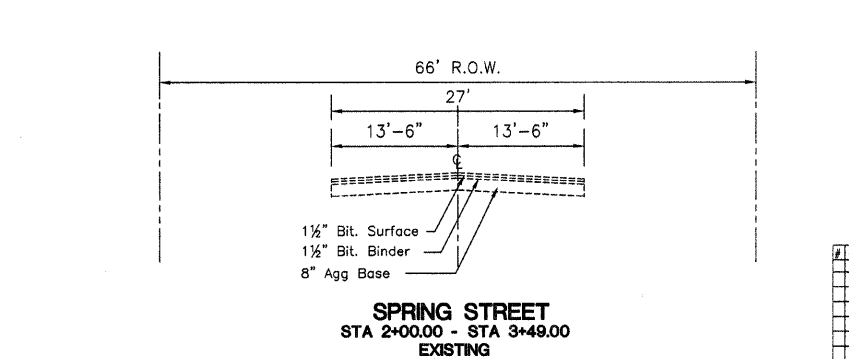
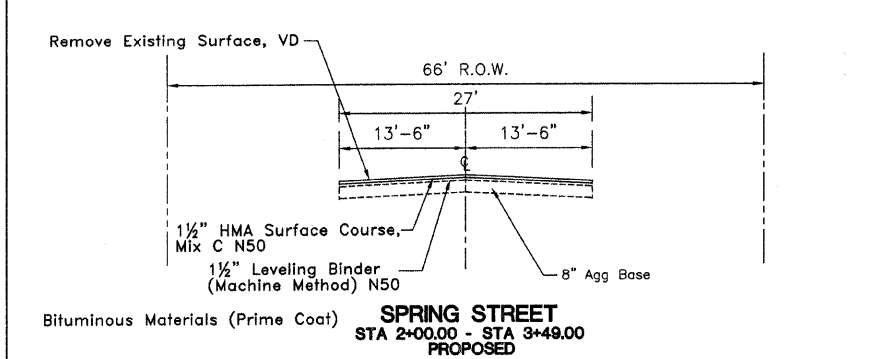
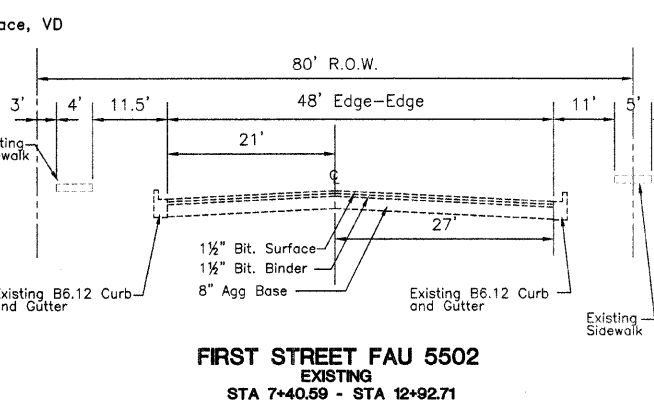
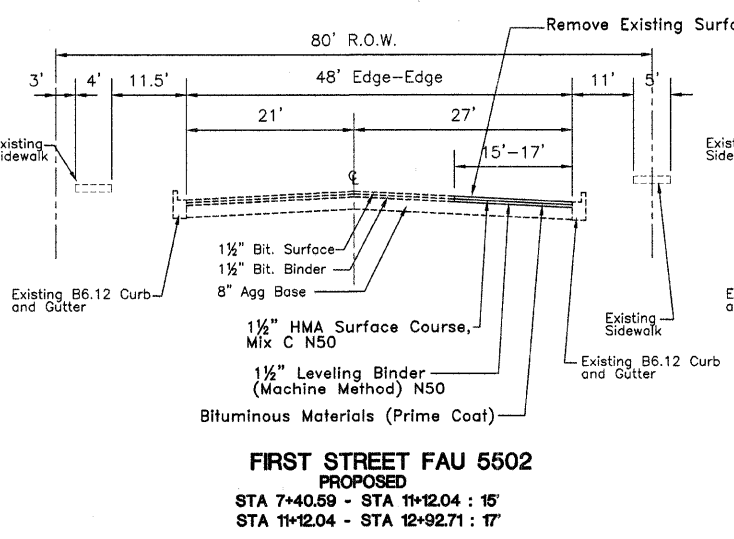
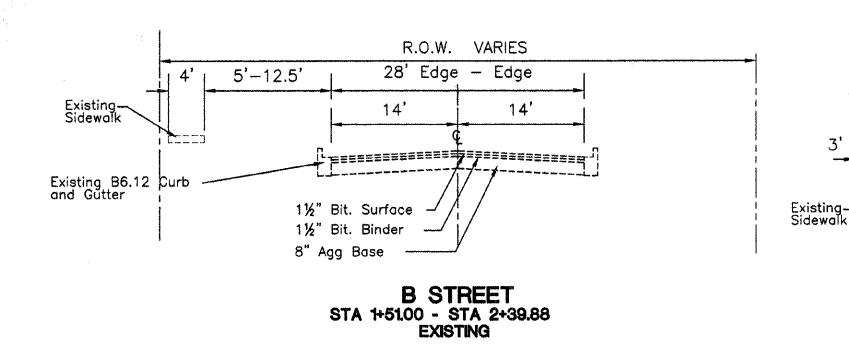
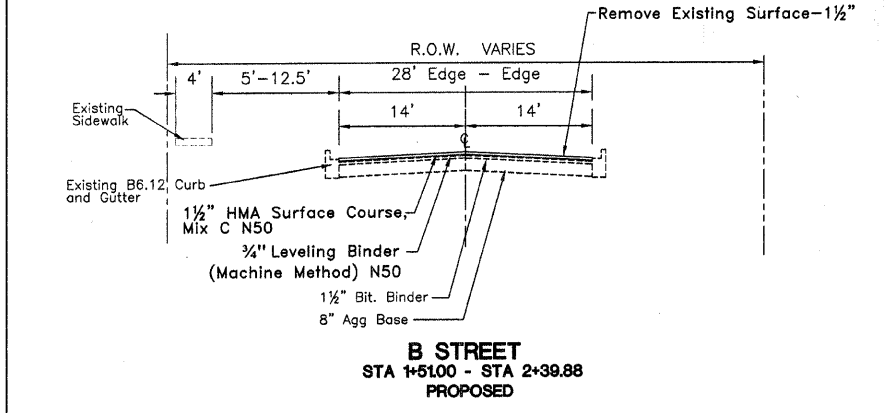
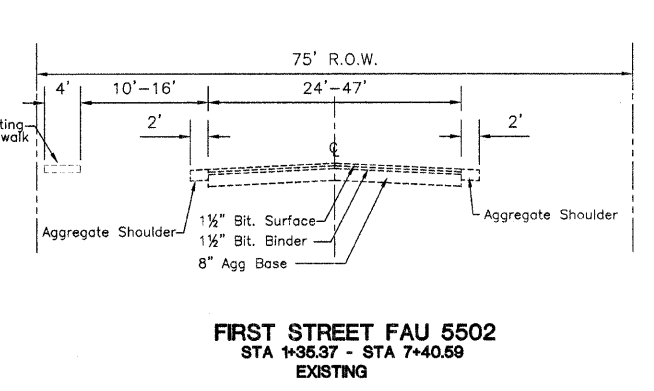
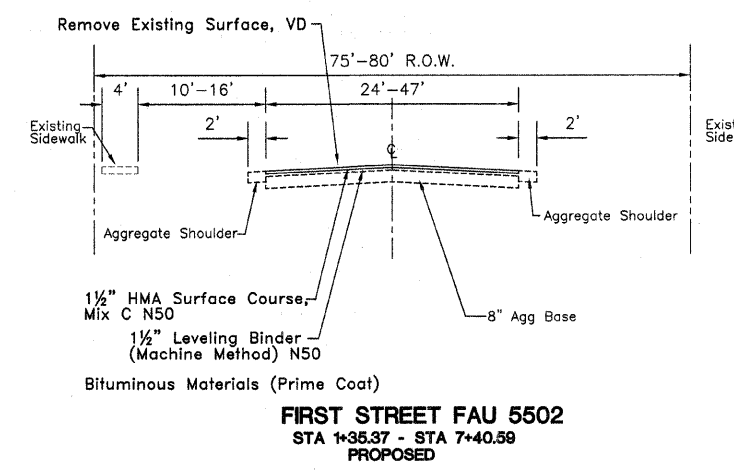
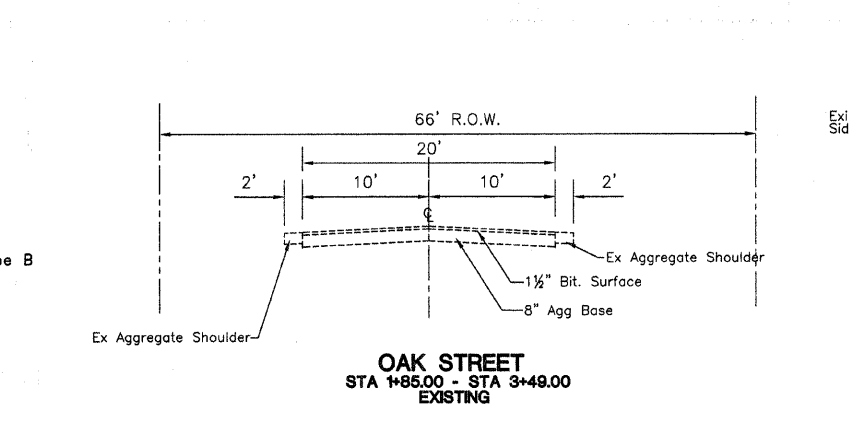
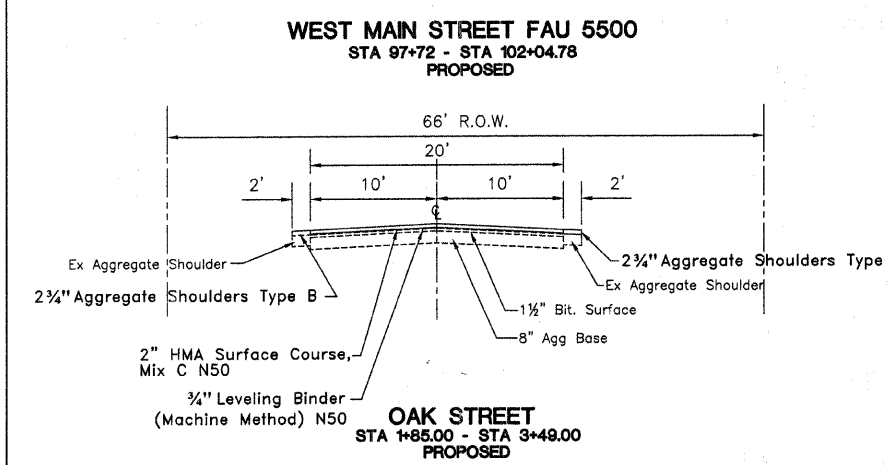
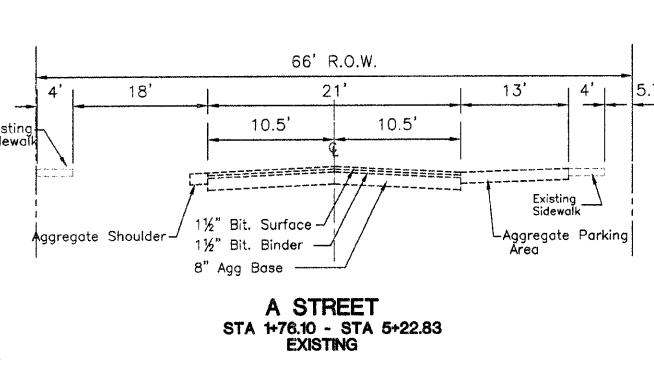
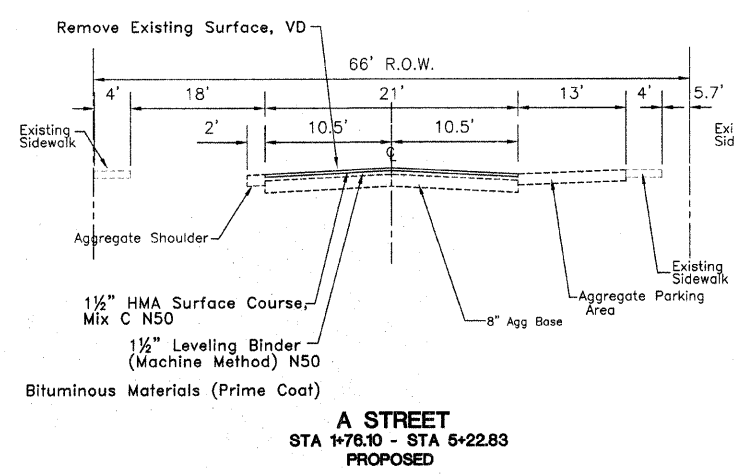
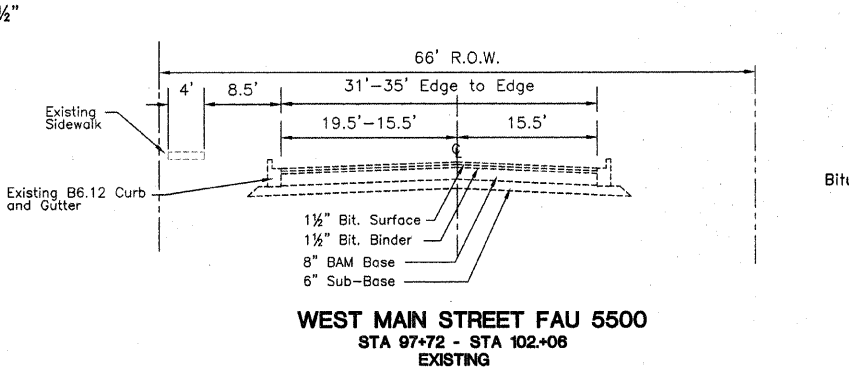
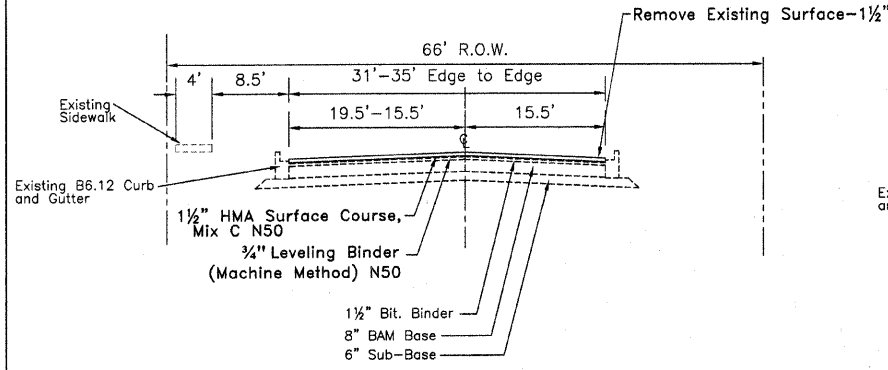
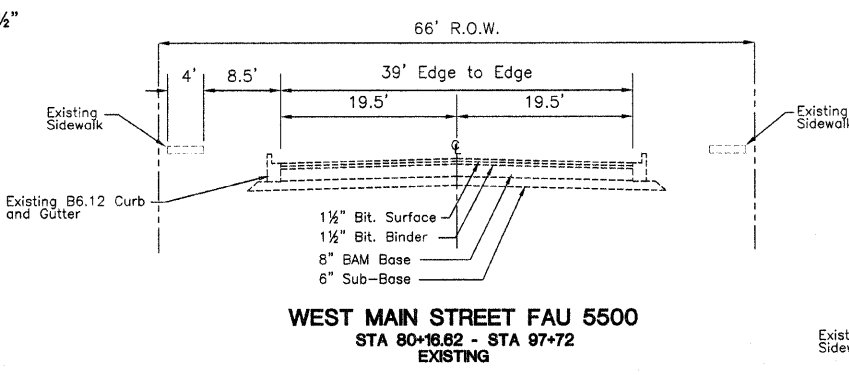
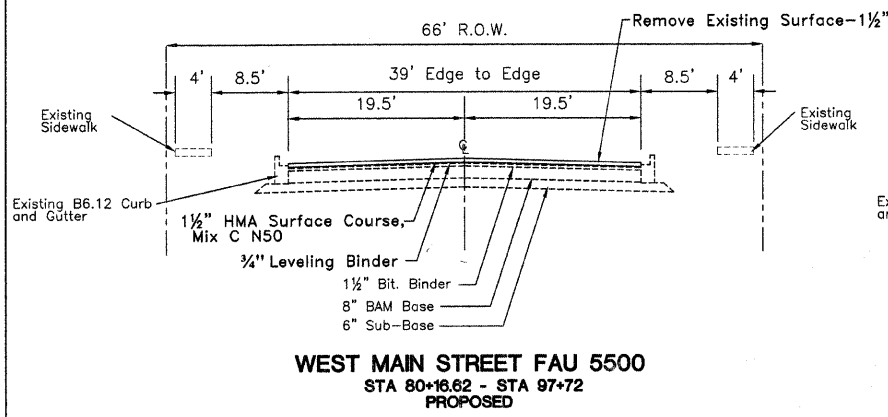


FULL SIZE PLANS HAVE BEEN PREPARED USING STANDARD ENGINEERING SCALES, REDUCED SIZED PLANS WILL NOT CONFORM TO STANDARD SCALES. IN MAKING MEASUREMENTS ON REDUCED PLANS, THE ABOVE SCALES MAY BE USED.

CONTRACT NUMBER: 87405

DATE	REMARKS	SCHEFLOW ENGINEERS 1814 GRANDSTAND PLACE ELGIN, ILLINOIS 60123 (847) 697-7095 Firm License No. 184-001104	City of Genoa LAPP 09-00031-01 RS West Main Street Resurfacing		SCALE	DATE
			Title Sheet		None	3-31-09
14-29-09	PER IDOT REVIEW		DRAWN BY E.K.M.	FILE NO. 4434	CHECKED BY F.C.C.	SHEET NO. 1 of 14

ROUTE NO.	LOCAL AGENCY	COUNTY	SECTION	TOTAL SHEETS	SHEET NO.
FAU 5500	Genoa	DeKalb	19	14	3
FAU 5502					
LOCAL AGENCY PAVEMENT PRESERVATION					
CONTRACT: 87405			SECTION: 09-00031-01-RS		



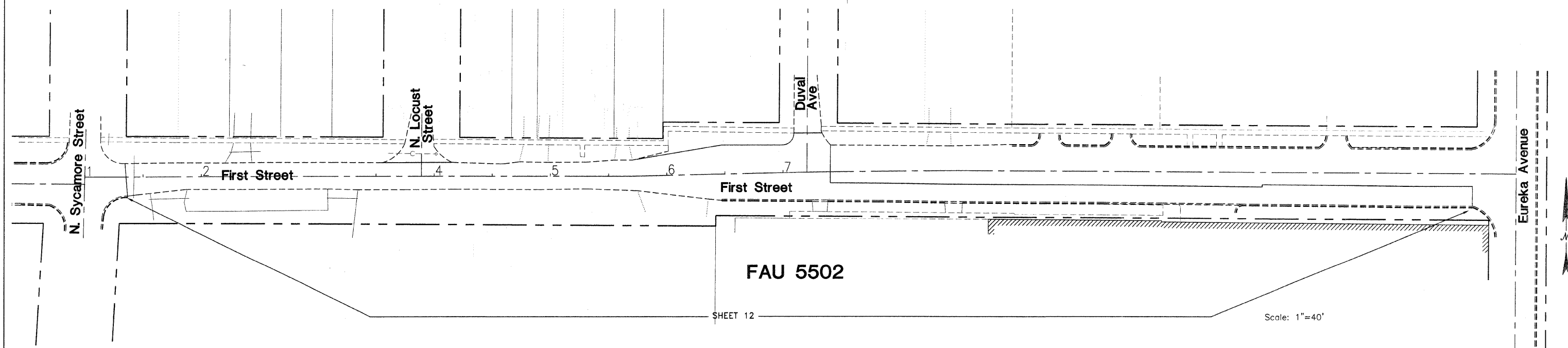
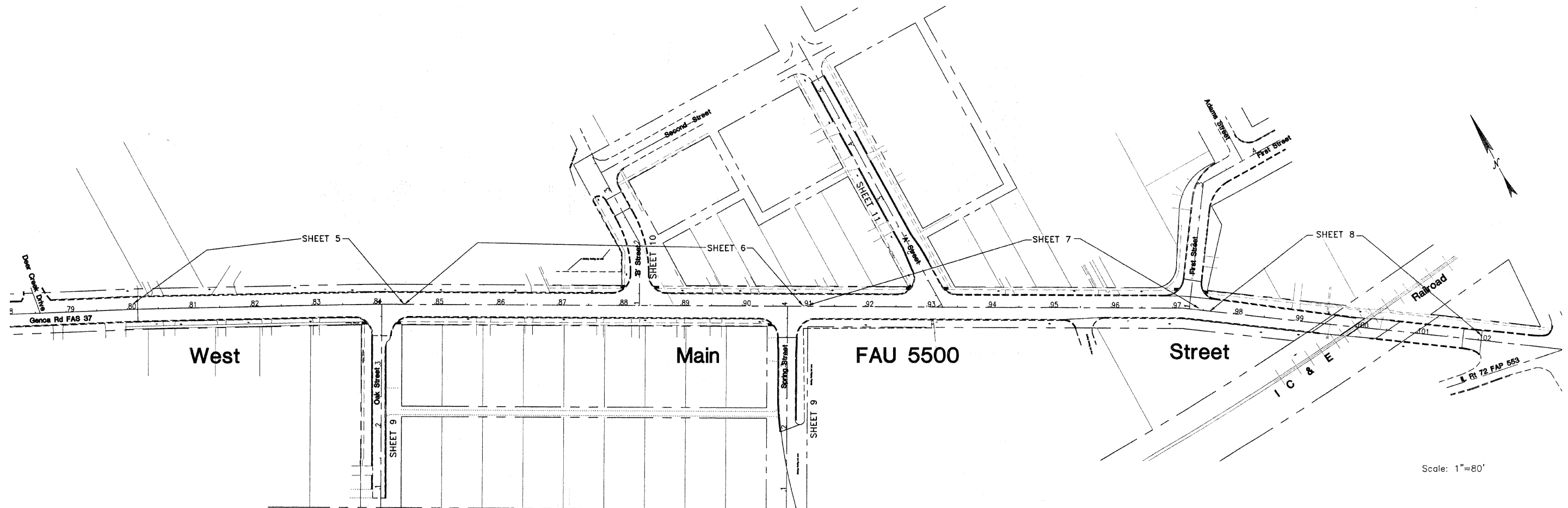
#	DATE	REMARKS

SCHEFLOW ENGINEERS
1814 GRANDSTAND PLACE
ELGIN, ILLINOIS 60123
(847) 697-7095
Firm License No. 184-001104

City of Genoa
LAPP 09-00031-01 RS
West Main Street Resurfacing
Typical Sections

SCALE	DATE
None	3-31-09
DRAWN BY	FILE NO.
E.K.M.	4434
CHECKED BY	SHEET NO.
F.C.C.	3 of 14

ROUTE NO.	LOCAL AGENCY	COUNTY	SECTION	TOTAL SHEETS	SHEET NO.
FAU 5500 FAU 5502	Genoa	DeKalb	19	14	4
LOCAL AGENCY PAVEMENT PRESERVATION					
CONTRACT: 87405			SECTION: 09-00031-01-RS		

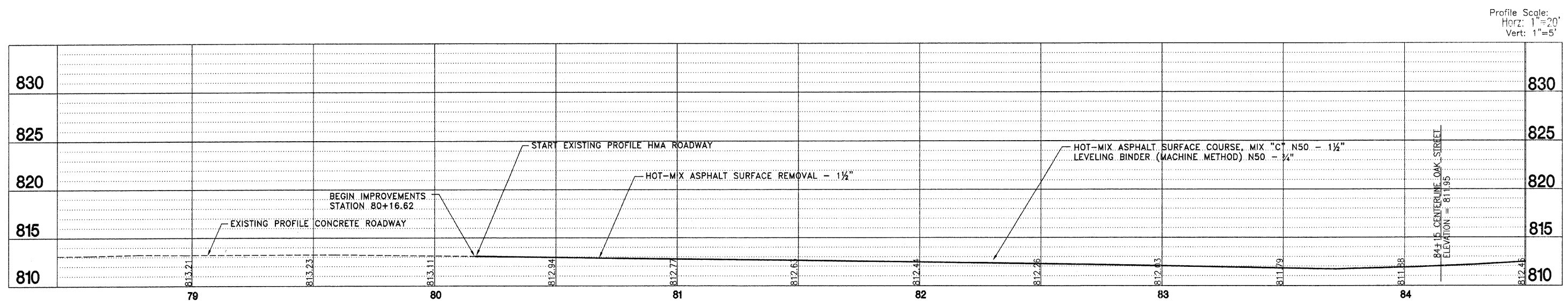
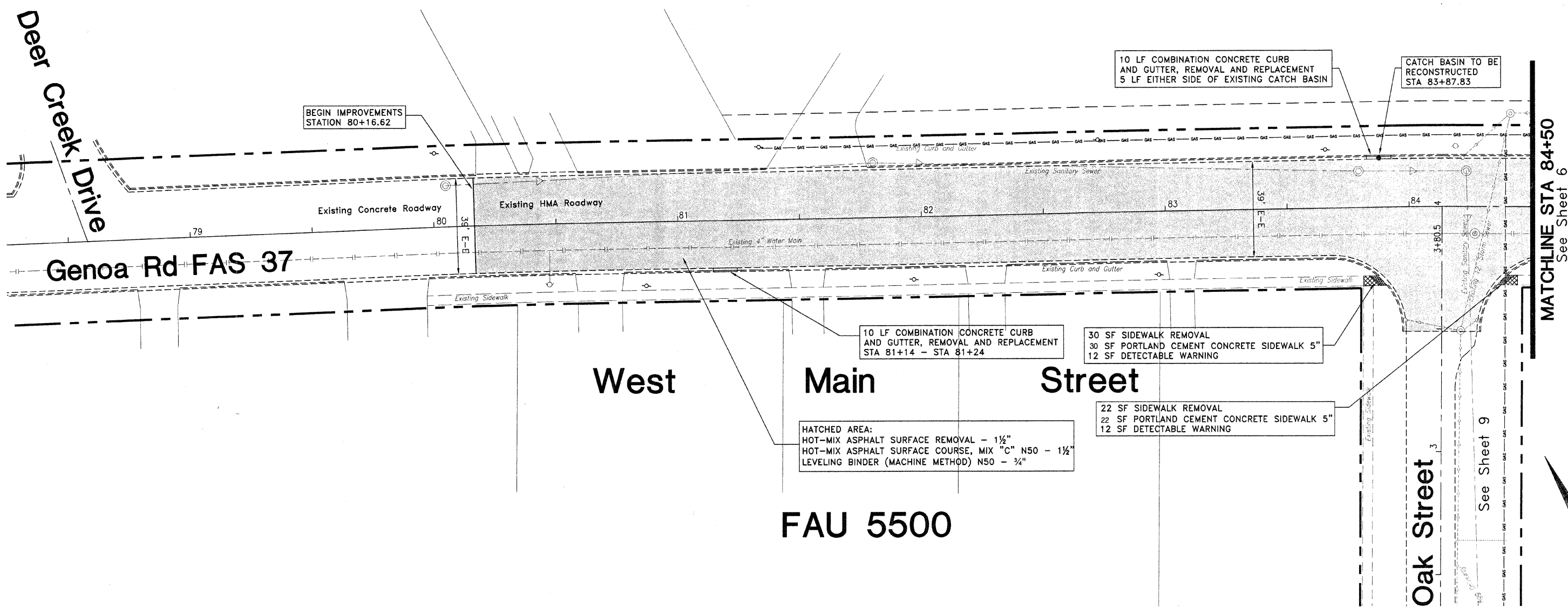


#	DATE	REMARKS	SCALE	DATE
			VARIES	3-31-09
			DRAWN BY	FILE NO.
			E.K.M.	4434
			CHECKED BY	SHEET NO.
			F.C.C.	4 of 14

SCHEFLOW ENGINEERS
 1814 GRANDSTAND PLACE
 ELGIN, ILLINOIS 60123
 (847) 697-7095
 Firm License No. 184-001104

City of Genoa
LAPP 09-00031-01 RS
 West Main Street Recurfacing
Overall Plan

ROUTE NO.	LOCAL AGENCY	COUNTY	SECTION	TOTAL SHEETS	SHEET NO.
FAU 5500	Genoa	DeKalb	19	14	5
LOCAL AGENCY PAVEMENT PRESERVATION					
CONTRACT: 87405			SECTION: 09-00031-01-RS		



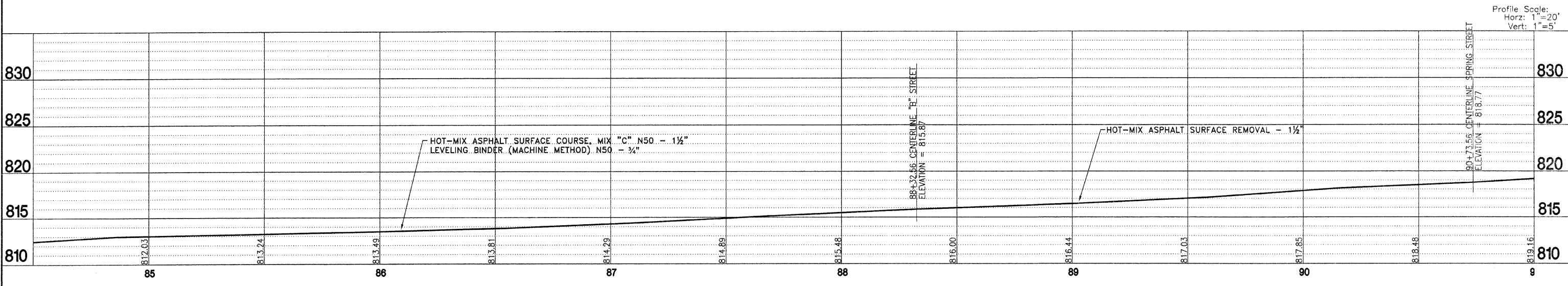
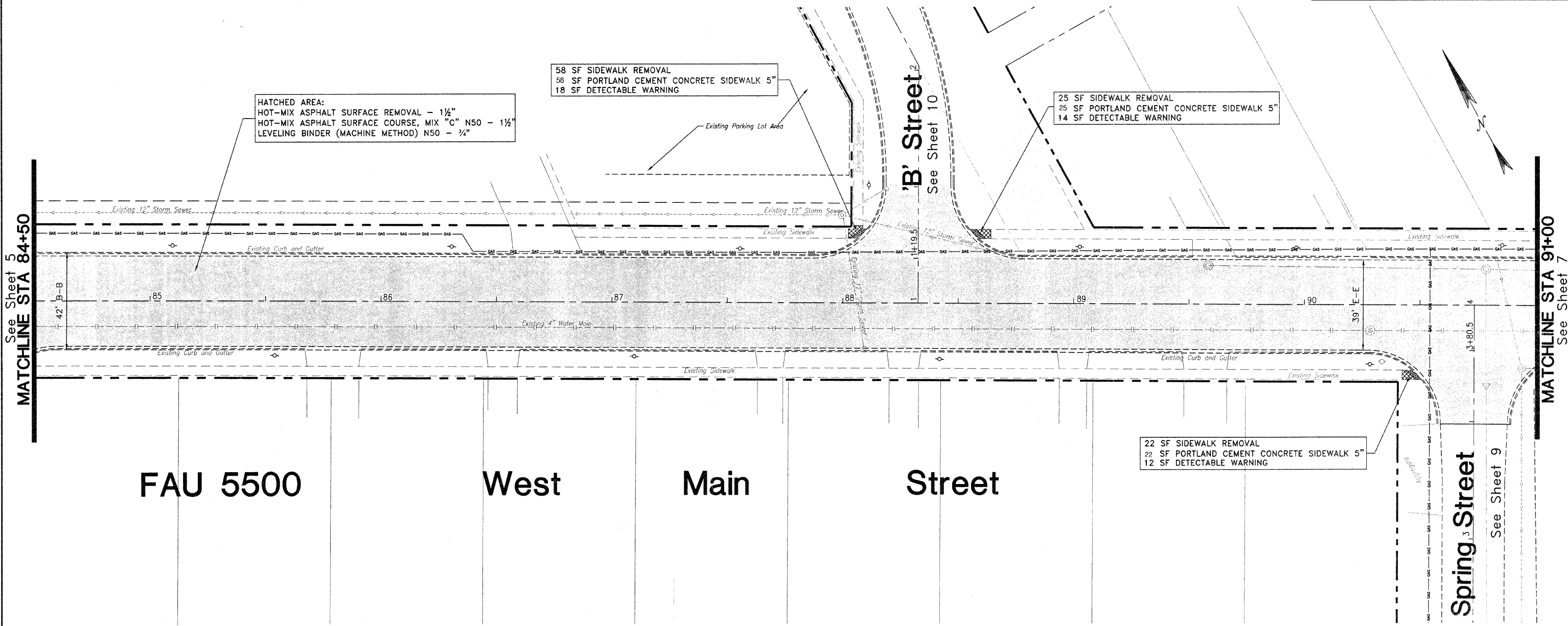
#	DATE	REMARKS

SCHEFLOW ENGINEERS
1814 GRANDSTAND PLACE
ELGIN, ILLINOIS 60123
(847) 697-7095
Firm License No. 184-001104

City of Genoa
LAPP 09-00031-01 RS
West Main Street Resurfacing
Station 79+00-84+50

SCALE	DATE
1"=20'	3-31-09
DRAWN BY	FILE NO.
E.K.M.	4434
CHECKED BY	SHEET NO.
F.C.C.	5 of 14

ROUTE NO.	LOCAL AGENCY	COUNTY	SECTION	TOTAL SHEETS	SHEET NO.
FAU 5500	Genoa	DeKalb	19	14	6
LOCAL AGENCY PAVEMENT PRESERVATION					
CONTRACT: 87405			SECTION: 09-00031-01-RS		



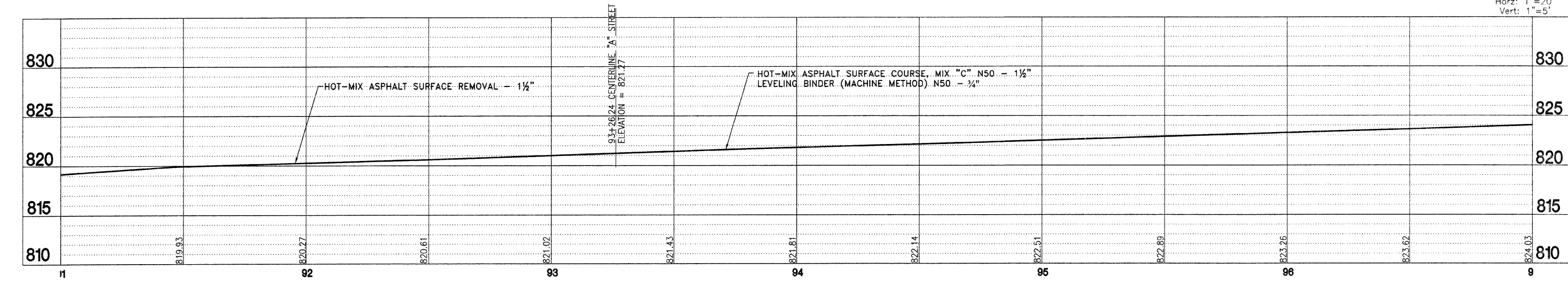
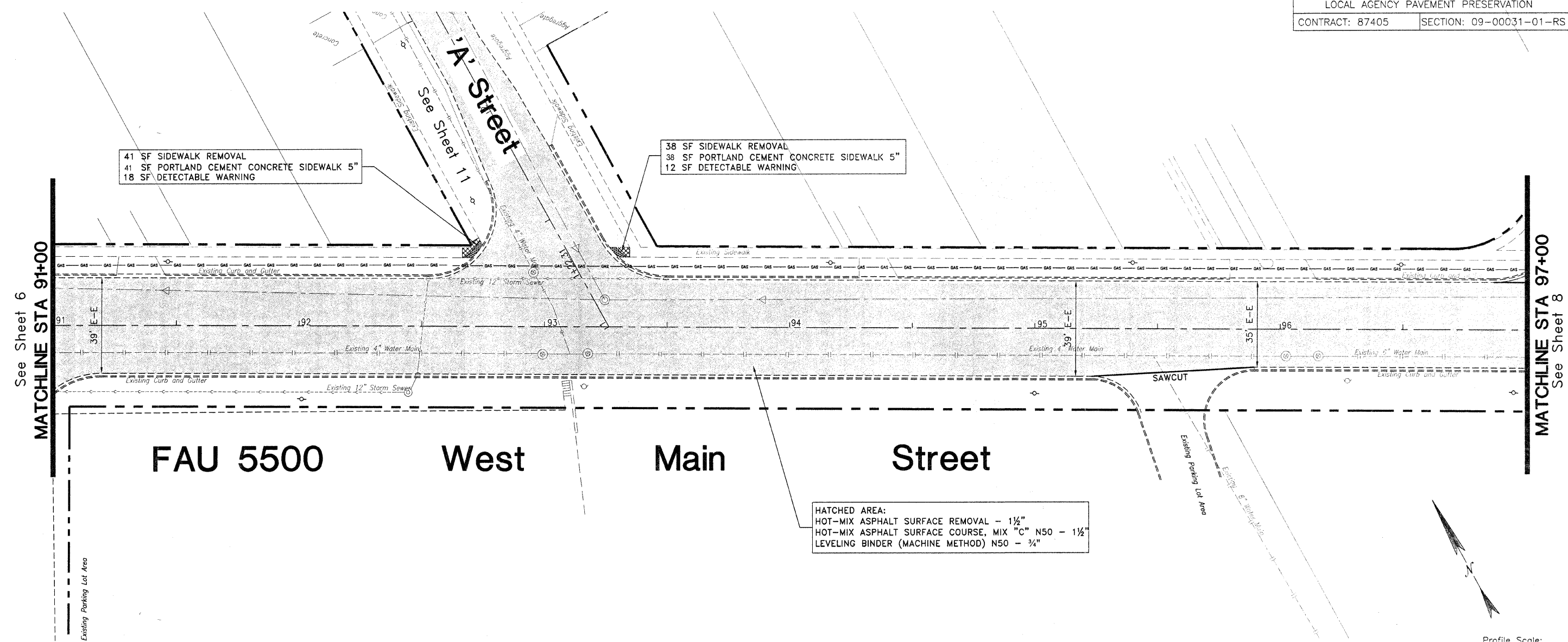
#	DATE	REMARKS

SCHEFLOW ENGINEERS
 1814 GRANDSTAND PLACE
 ELGIN, ILLINOIS 60123
 (847) 697-7095

City of Genoa
LAPP 09-00031-01 RS
West Main Street Resurfacing
Station 84+50-91+00

SCALE	DATE
1"=20'	3-31-09
DRAWN BY	FILE NO.
E.K.M.	4434
CHECKED BY	SHEET NO.
F.C.C.	6 of 14

ROUTE NO.	LOCAL AGENCY	COUNTY	SECTION	TOTAL SHEETS	SHEET NO.
FAU 5500	Genoa	DeKalb	19	14	7
LOCAL AGENCY PAVEMENT PRESERVATION					
CONTRACT: 87405			SECTION: 09-00031-01-RS		



HATCHED AREA:
HOT-MIX ASPHALT SURFACE REMOVAL - 1½"
HOT-MIX ASPHALT SURFACE COURSE, MIX "C" N50 - 1½"
LEVELING BINDER (MACHINE METHOD) N50 - ¾"

Profile Scale:
Horz: 1"=20'
Vert: 1"=5'

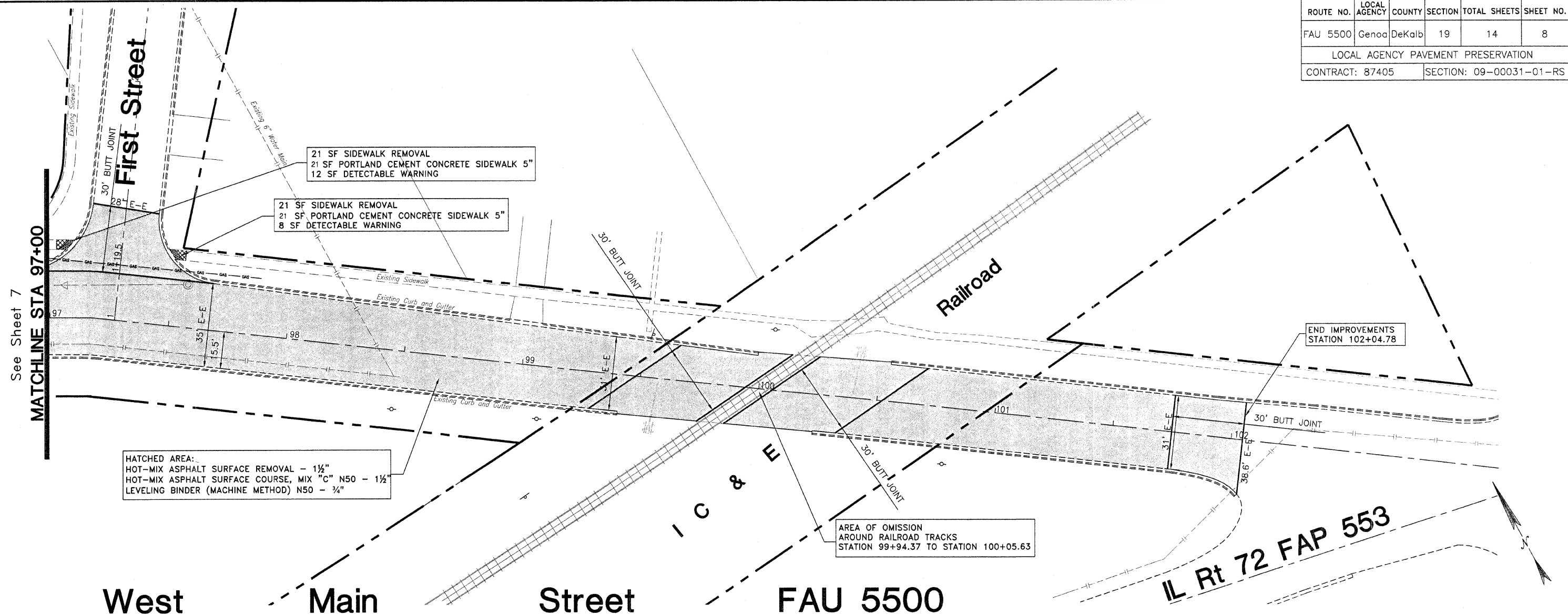
#	DATE	REMARKS

SCHEFLOW ENGINEERS
1814 GRANDSTAND PLACE
ELGIN, ILLINOIS 60123
(847) 697-7095
Firm License No. 184-001104

City of Genoa
LAPP 09-00031-01 RS
West Main Street Resurfacing
Station 91+00-97+00

SCALE	DATE
1"=20'	3-31-09
DRAWN BY	FILE NO.
E.K.M.	4434
CHECKED BY	SHEET NO.
F.C.C.	7 of 14

ROUTE NO.	LOCAL AGENCY	COUNTY	SECTION	TOTAL SHEETS	SHEET NO.
FAU 5500	Genoa	DeKalb	19	14	8
LOCAL AGENCY PAVEMENT PRESERVATION					
CONTRACT: 87405			SECTION: 09-00031-01-RS		

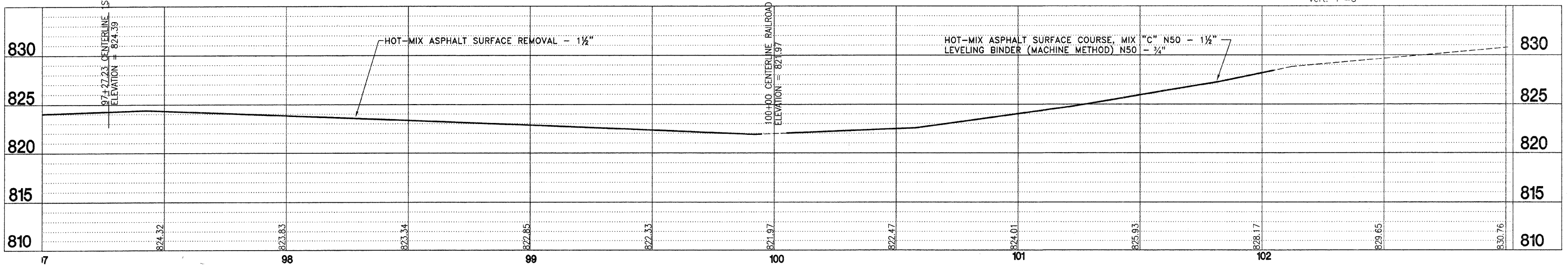


HATCHED AREA:
HOT-MIX ASPHALT SURFACE REMOVAL - 1 1/2"
HOT-MIX ASPHALT SURFACE COURSE, MIX "C" N50 - 1 1/2"
LEVELING BINDER (MACHINE METHOD) N50 - 3/4"

AREA OF OMISSION
AROUND RAILROAD TRACKS
STATION 99+94.37 TO STATION 100+05.63

NOTE: CONTRACTOR TO NOTIFY LOCAL I.C.&E. RAILROAD
FIELD REPRESENTATIVE 48 HOURS PRIOR TO WORKING WITHIN
RAILROAD R.O.W.

Profile Scale:
Horz: 1"=20'
Vert: 1"=5'



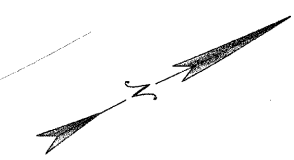
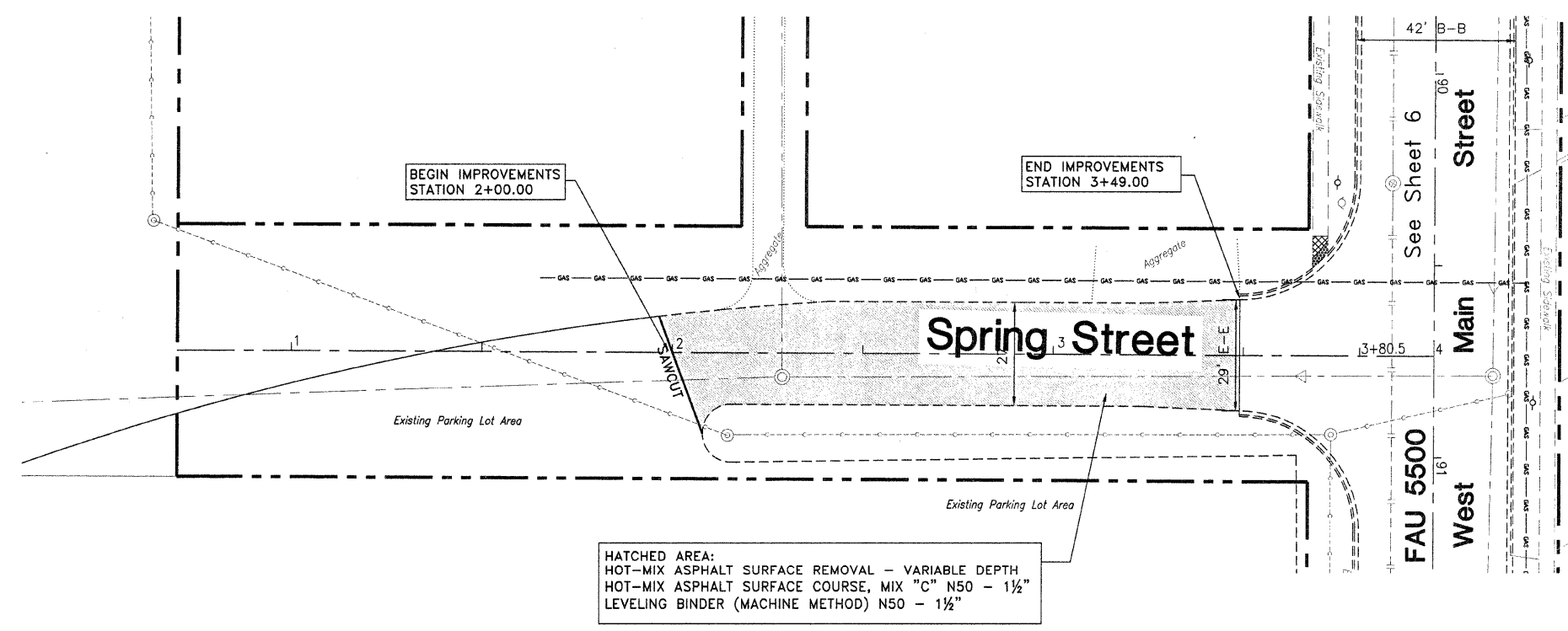
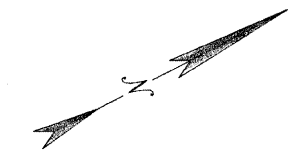
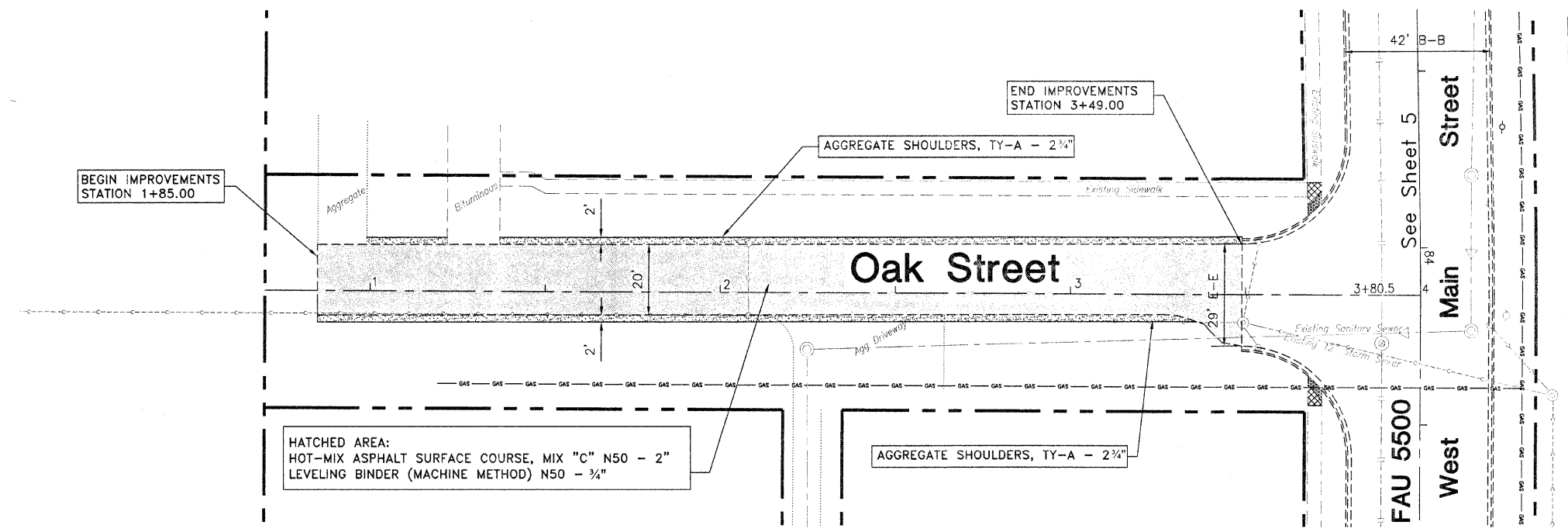
#	DATE	REMARKS

SCHEFLOW ENGINEERS
1814 GRANDSTAND PLACE
ELGIN, ILLINOIS 60123
(847) 697-7095
Firm License No. 184-001104

City of Genoa
LAPP 09-00031-01 RS
West Main Street Resurfacing
Station 97+00-102+04.78

SCALE	DATE
1"=20'	3-31-09
DRAWN BY	FILE NO.
E.K.M.	4434
CHECKED BY	SHEET NO.
F.C.C.	8 of 14

ROUTE NO.	LOCAL AGENCY	COUNTY	SECTION	TOTAL SHEETS	SHEET NO.
FAU 5500	Genoa	DeKalb	19	14	9
LOCAL AGENCY PAVEMENT PRESERVATION					
CONTRACT: 87405			SECTION: 09-00031-01-RS		



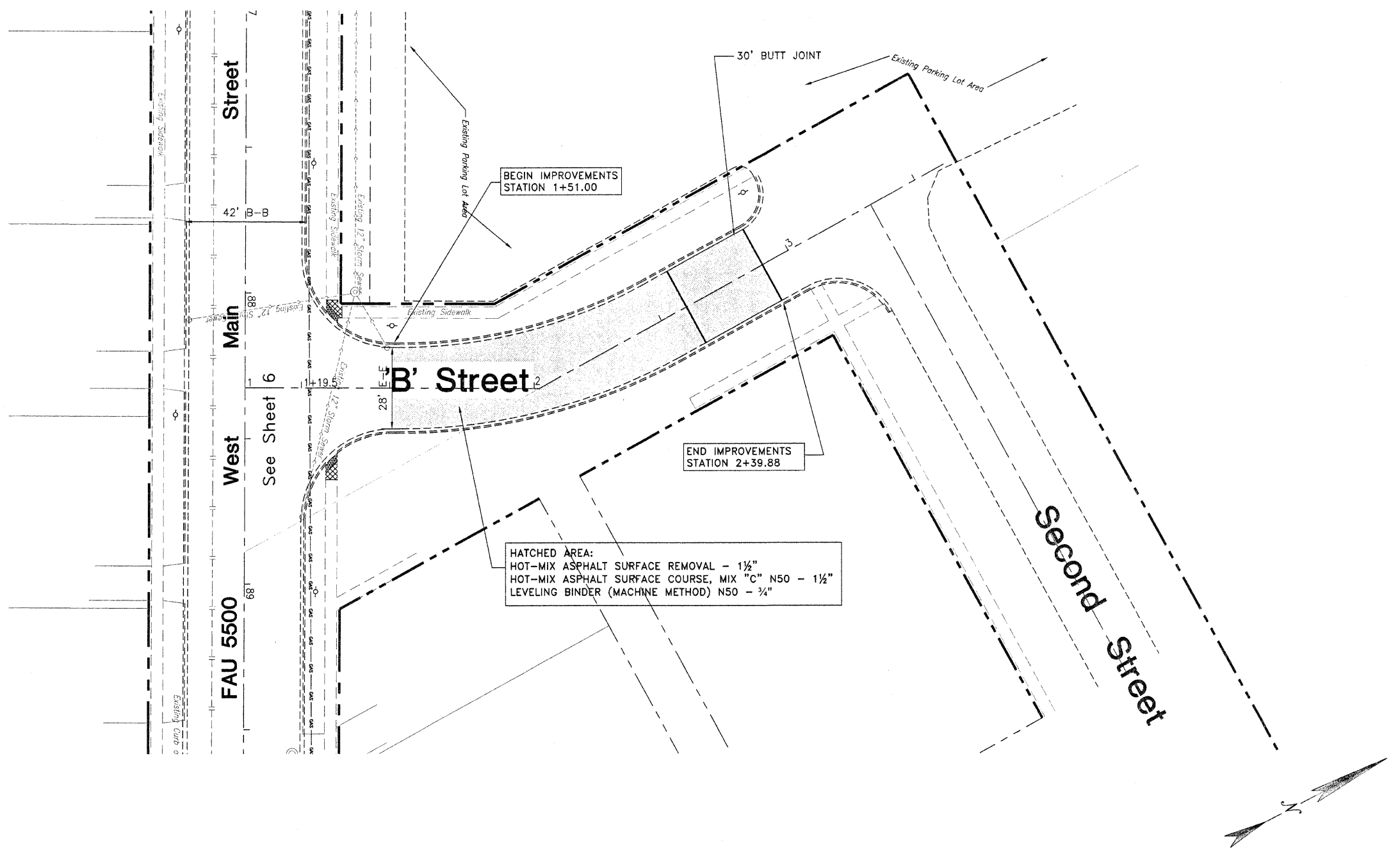
#	DATE	REMARKS

SCHEFLOW ENGINEERS
 1814 GRANDSTAND PLACE
 ELGIN, ILLINOIS 60123
 (847) 697-7095
 Firm License No. 184-001104

City of Genoa
LAPP 09-00031-01 RS
 West Main Street Resurfacing
Oak & Spring Streets

SCALE	DATE
1"=20'	3-31-09
DRAWN BY	FILE NO.
E.K.M.	4434
CHECKED BY	SHEET NO.
F.C.C.	9 of 14

ROUTE NO.	LOCAL AGENCY	COUNTY	SECTION	TOTAL SHEETS	SHEET NO.
FAU 5500	Genoa	DeKalb	19	14	10
LOCAL AGENCY PAVEMENT PRESERVATION					
CONTRACT: 87405			SECTION: 09-00031-01-RS		



BEGIN IMPROVEMENTS
STATION 1+51.00

END IMPROVEMENTS
STATION 2+39.88

HATCHED AREA:
HOT-MIX ASPHALT SURFACE REMOVAL - 1½"
HOT-MIX ASPHALT SURFACE COURSE, MIX "C" N50 - 1½"
LEVELING BINDER (MACHINE METHOD) N50 - ¾"

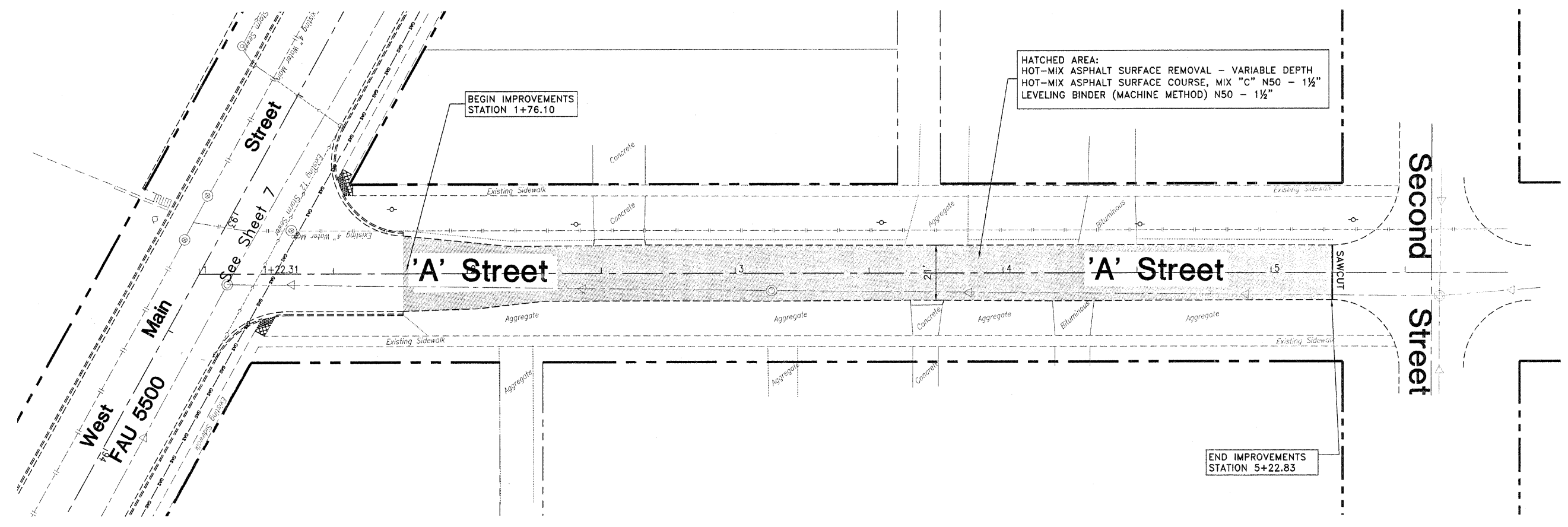
#	DATE	REMARKS

SCHEFLOW ENGINEERS
1814 GRANDSTAND PLACE
ELGIN, ILLINOIS 60123
(847) 697-7095
Firm License No. 184-001104

City of Genoa
LAPP 09-00031-01 RS
West Main Street Resurfacing
B Street

SCALE	DATE
1"=20'	3-31-09
DRAWN BY	FILE NO.
E.K.M.	4434
CHECKED BY	SHEET NO.
F.C.C.	10 of 14

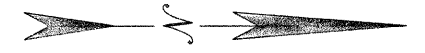
ROUTE NO.	LOCAL AGENCY	COUNTY	SECTION	TOTAL SHEETS	SHEET NO.
FAU 5500	Genoa	DeKalb	19	14	11
LOCAL AGENCY PAVEMENT PRESERVATION					
CONTRACT: 87405		SECTION: 09-00031-01-RS			



HATCHED AREA:
HOT-MIX ASPHALT SURFACE REMOVAL - VARIABLE DEPTH
HOT-MIX ASPHALT SURFACE COURSE, MIX "C" N50 - 1 1/2"
LEVELING BINDER (MACHINE METHOD) N50 - 1 1/2"

BEGIN IMPROVEMENTS
STATION 1+76.10

END IMPROVEMENTS
STATION 5+22.83



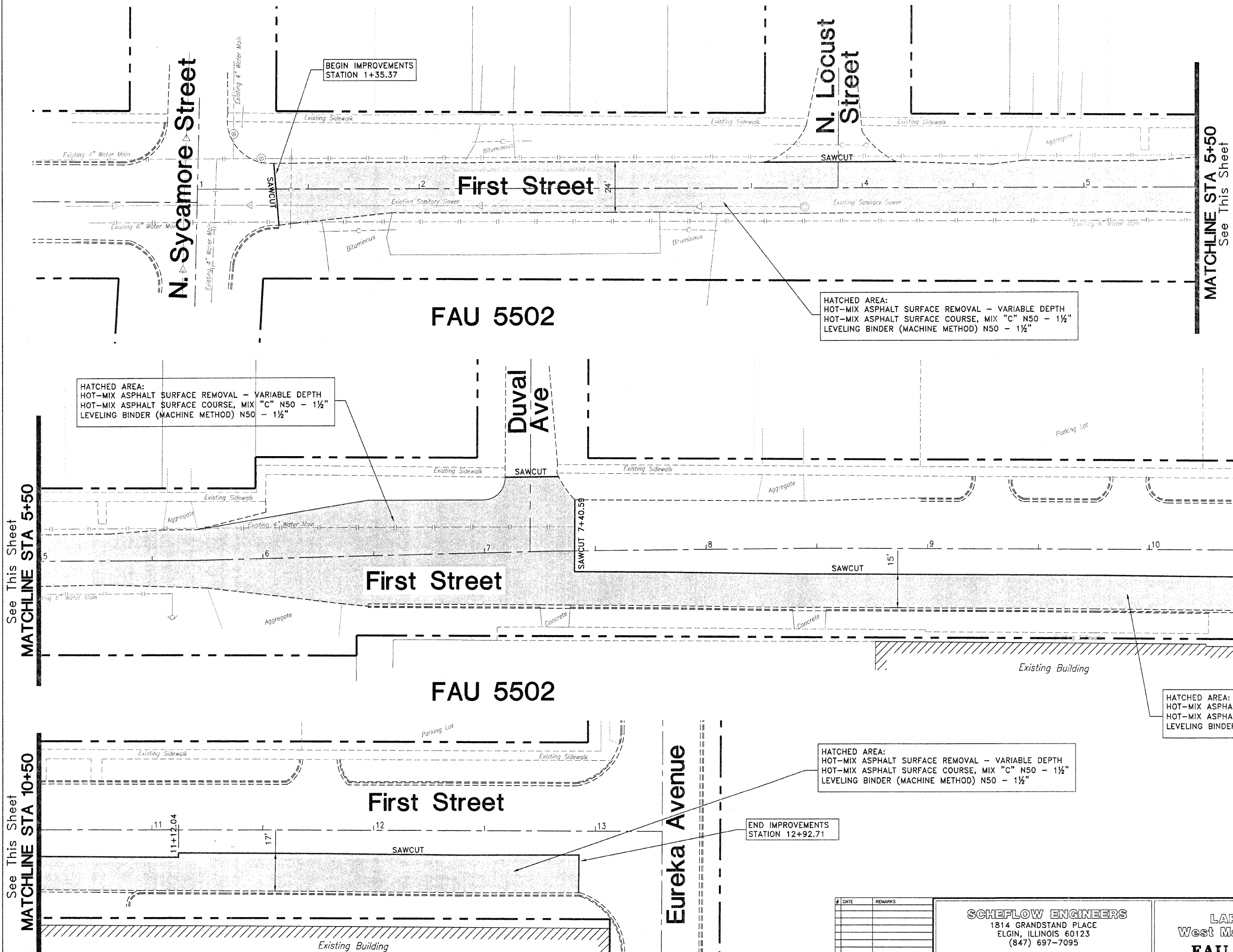
#	DATE	REMARKS

SCHEFLOW ENGINEERS
1814 GRANDSTAND PLACE
ELGIN, ILLINOIS 60123
(847) 697-7095
Firm License No. 124-001104

City of Genoa
LAPP 09-00031-01 RS
West Main Street Resurfacing
A Street

SCALE	DATE
1"=20'	3-31-09
DRAWN BY	FILE NO.
E.K.M.	4434
CHECKED BY	SHEET NO.
F.C.C.	11 of 14

ROUTE NO. FAU 5502	LOCAL AGENCY Genoa	COUNTY DeKalb	SECTION 19	TOTAL SHEETS 14	SHEET NO. 12
LOCAL AGENCY PAVEMENT PRESERVATION					SECTION: 09-00031-01-RS



BEGIN IMPROVEMENTS
STATION 1+35.37

HATCHED AREA:
HOT-MIX ASPHALT SURFACE REMOVAL - VARIABLE DEPTH
HOT-MIX ASPHALT SURFACE COURSE, MIX "C" N50 - 1 1/2"
LEVELING BINDER (MACHINE METHOD) N50 - 1 1/2"

HATCHED AREA:
HOT-MIX ASPHALT SURFACE REMOVAL - VARIABLE DEPTH
HOT-MIX ASPHALT SURFACE COURSE, MIX "C" N50 - 1 1/2"
LEVELING BINDER (MACHINE METHOD) N50 - 1 1/2"

HATCHED AREA:
HOT-MIX ASPHALT SURFACE REMOVAL - VARIABLE DEPTH
HOT-MIX ASPHALT SURFACE COURSE, MIX "C" N50 - 1 1/2"
LEVELING BINDER (MACHINE METHOD) N50 - 1 1/2"

HATCHED AREA:
HOT-MIX ASPHALT SURFACE REMOVAL - VARIABLE DEPTH
HOT-MIX ASPHALT SURFACE COURSE, MIX "C" N50 - 1 1/2"
LEVELING BINDER (MACHINE METHOD) N50 - 1 1/2"

END IMPROVEMENTS
STATION 12+92.71

See This Sheet
MATCHLINE STA 5+50

See This Sheet
MATCHLINE STA 10+50

See This Sheet
MATCHLINE STA 10+50

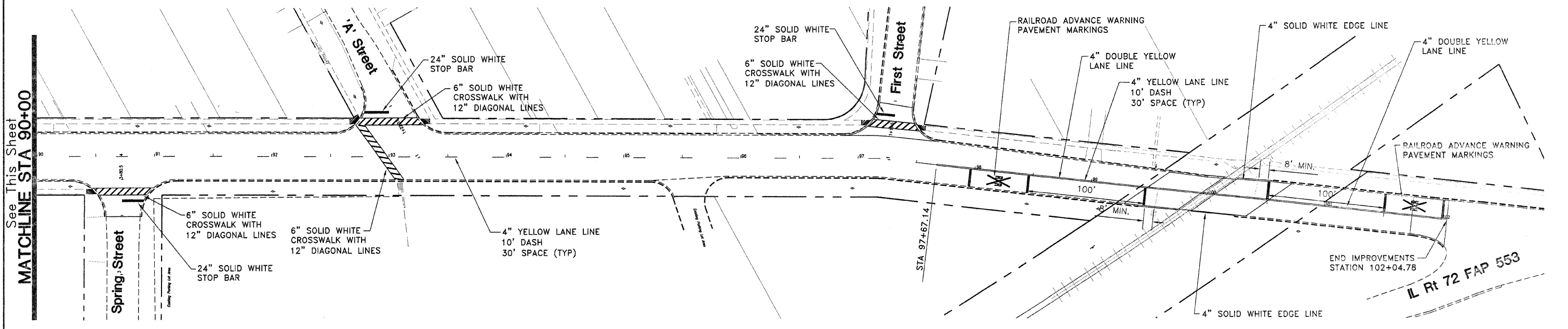
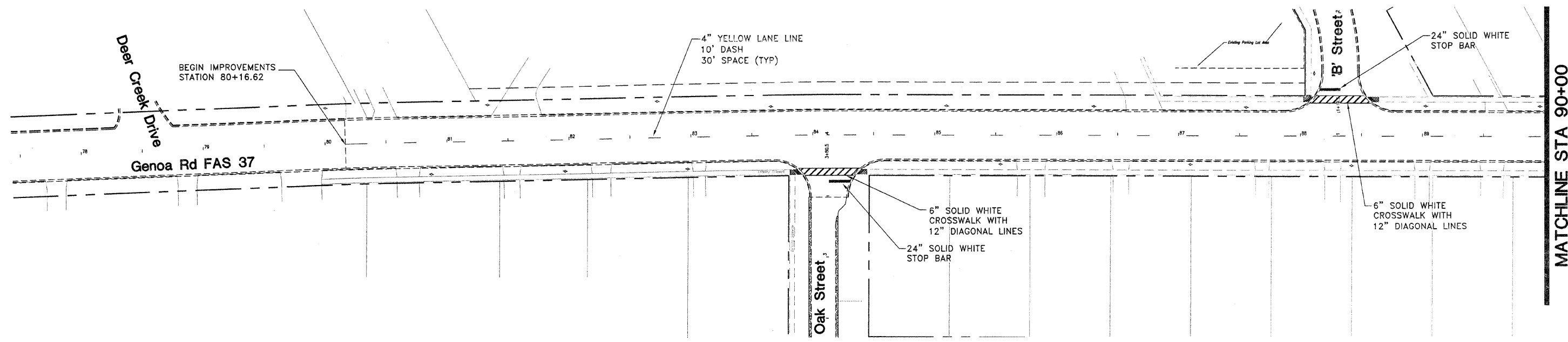
#	DATE	REMARKS
1	14-29-09	PER IDOT REVIEW

SCHEFLOW ENGINEERS
1814 GRANDSTAND PLACE
ELGIN, ILLINOIS 60123
(847) 697-7095
Firm License No. 184-001104

City of Genoa
LAPP 09-00031-01 RS
West Main Street Resurfacing
FAU 5502 First Street

SCALE 1"=20'	DATE 3-31-09
DRAWN BY E.K.M.	FILE NO. 4434
CHECKED BY F.C.C.	SHEET NO. 12 of 14

ROUTE NO.	LOCAL AGENCY	COUNTY	SECTION	TOTAL SHEETS	SHEET NO.
FAU 5500	Genoa	DeKalb	19	14	13
LOCAL AGENCY PAVEMENT PRESERVATION					
CONTRACT: 87405			SECTION: 09-00031-01-RS		



ALL PAVEMENT MARKING TO CONFORM TO IDOT STANDARDS AND 2003 MUTCD, REVISION 1 AND REVISION 2.

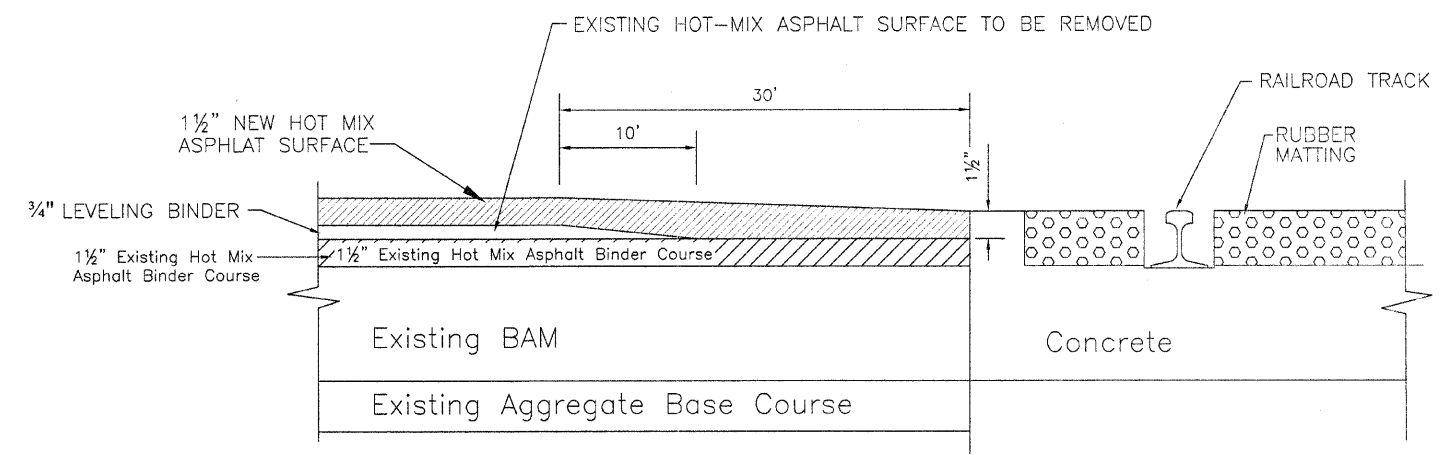
#	DATE	REMARKS

SCHEFFLOW ENGINEERS
 1814 GRANDSTAND PLACE
 ELGIN, ILLINOIS 60123
 (847) 697-7095
 Firm License No. 184-001104

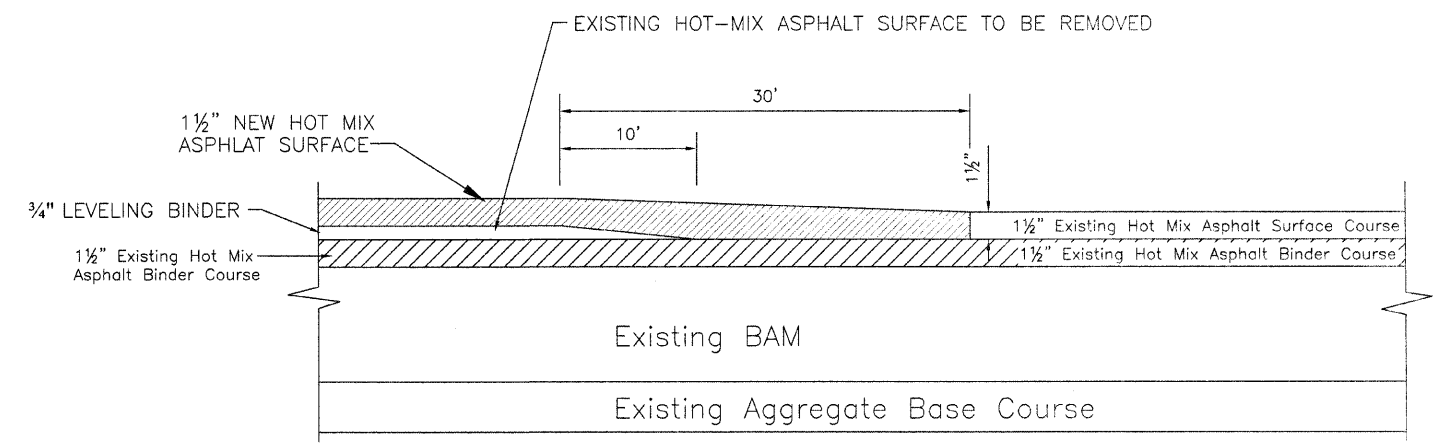
City of Genoa
LAPP 09-00031-01 RS
 West Main Street Resurfacing
Pavement Marking Plan

SCALE	DATE
1"=40'	3-31-09
DRAWN BY	FILE NO.
E.K.M.	4434
CHECKED BY	SHEET NO.
F.C.C.	13 of 14

ROUTE NO.	LOCAL AGENCY	COUNTY	SECTION	TOTAL SHEETS	SHEET NO.
FAU 5500 FAU 5502	Genoa	DeKalb	19	14	14
LOCAL AGENCY PAVEMENT PRESERVATION					
CONTRACT: 87405			SECTION: 09-00031-01-RS		



BUTT JOINT ADJACENT TO RAILROAD DETAIL



BUTT JOINT DETAIL



#	DATE	REMARKS

SCHEFLOW ENGINEERS
 1814 GRANDSTAND PLACE
 ELGIN, ILLINOIS 60123
 (847) 697-7095
 Firm License No. 182-001104

City of Genoa
 LAPP 09-00031-01 RS
 West Main Street Resurfacing
Detail Sheet

SCALE	None	DATE	3-31-09
DRAWN BY	E.K.M.	FILE NO.	4434
CHECKED BY	E.C.C.	SHEET NO.	14 of 14