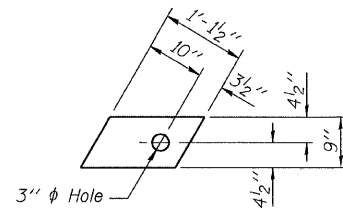


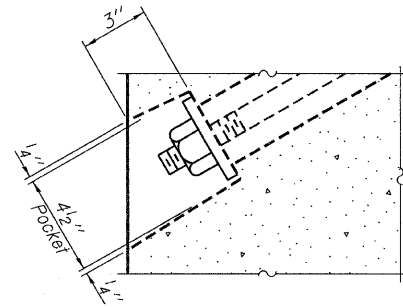
FABRIC BEARING PAD
(Interior - 16 Req'd)



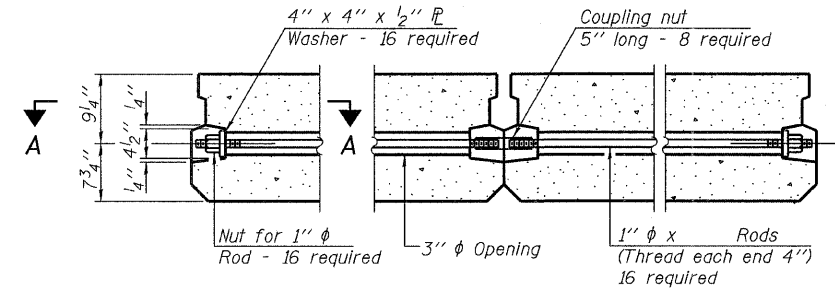
FABRIC BEARING PAD
(Exterior - 4 Req'd)

FIXED

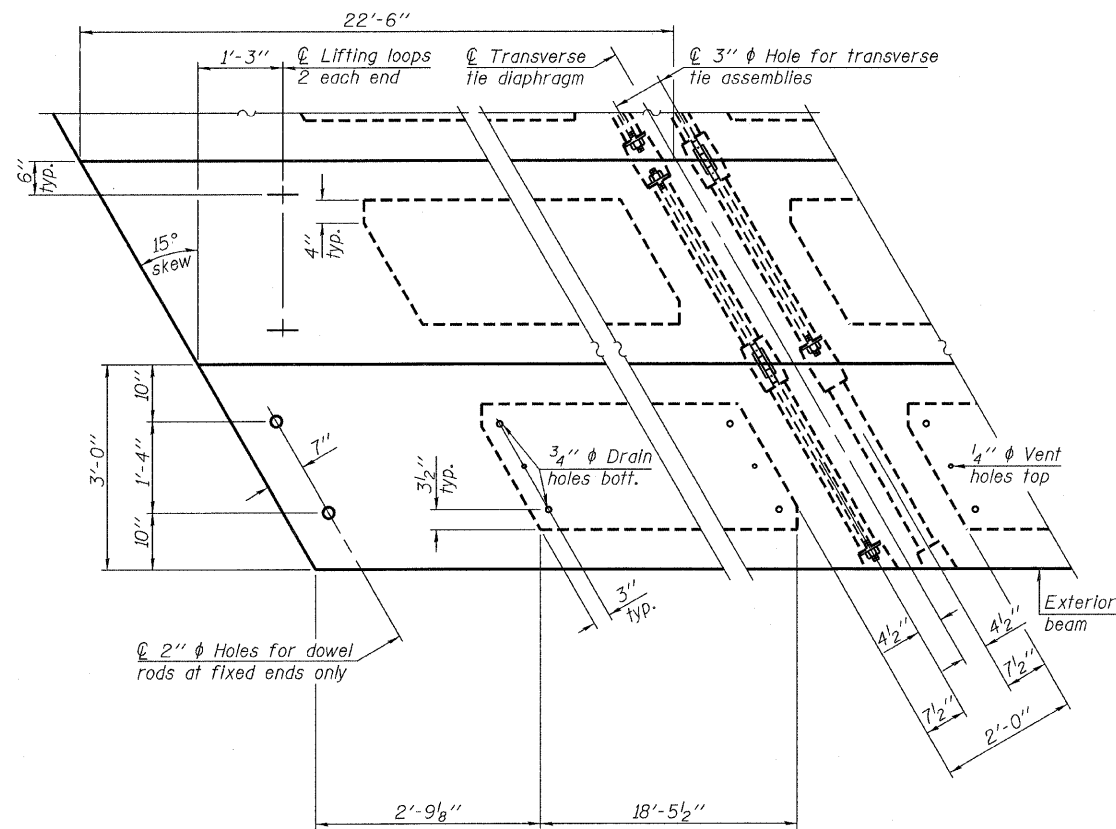
Note: Omit holes when using expansion bearings.



SECTION A-A

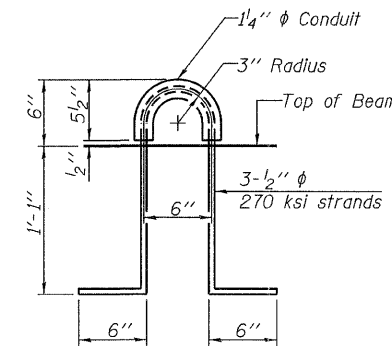


TYPICAL TRANSVERSE TIE ASSEMBLY

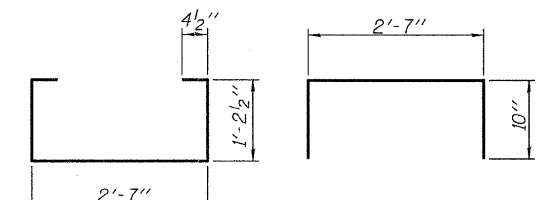


PLAN VIEW

Note: Connect beams in pairs with the transverse tie configuration shown.

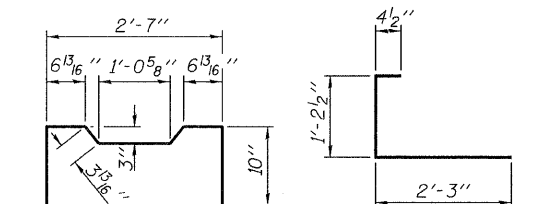


LIFTING LOOP DETAIL



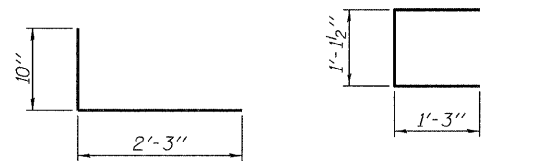
BAR S1(E)

BAR S(E)



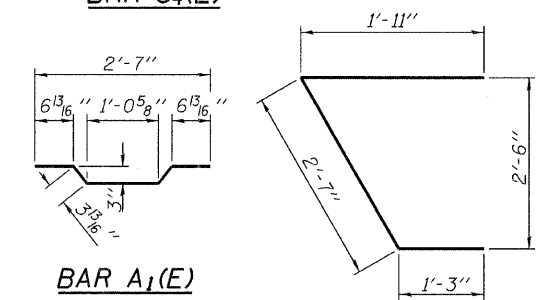
BAR S2(E)

BAR S3(E)



BAR S4(E)

BAR U(E)



BAR A1(E)

BAR U1(E)

NOTES

- Prestressing steel shall be uncoated high strength, low relaxation 7-wire strand, Grade 270. The nominal diameter shall be 1/2" and the nominal cross-sectional area shall be 0.153 sq. in.
- The 1" rods in the transverse tie assembly shall be tightened to a snug fit and the threads set. Pockets on exterior faces of bridge shall be filled with grout after transverse tie assembly is in place.
- Reinforcement bars shall conform to ASTM A 706, Grade 60. (See Special Provisions).
- Two 1/8" fabric adjusting shims of the dimensions of the exterior bearing pad shall be provided for each bearing pad location.
- A minimum 2 1/2" diameter lifting pin shall be used to engage the lifting loops during handling.
- Corrosion Inhibitor, per Article 1020.05(b)(12) and 1021.06 of the Standard Specifications, shall be used in the concrete for precast prestressed concrete deck beams.
- Compressive strength of prestressed concrete, f'c, shall be 6000 psi.
- Compressive strength of prestressed concrete at release, f'ci, shall be 5000 psi.

BILL OF MATERIAL

Precast Prestressed Conc. Deck Bms. (17" depth)	Sq. Ft.	1,215
---	---------	-------

SUPERSTRUCTURE DETAILS
17" X 36" PPC DECK BEAM DETAILS
STRUCTURE NO. 027-3439

DESIGNED - A.S.L.
CHECKED - M.G.B.
DRAWN - D.A.B.
CHECKED - D.T.M.

PD-1736-RD 5-16-08

HAMPTON, LENZINI & RENWICK, INC.
CIVIL & STRUCTURAL ENGINEERS
LAND SURVEYORS

HLR 3085 STEVENSON DRIVE, SUITE 201
SPRINGFIELD, ILLINOIS 62703
(217) 546-3400

PROJECT NUMBER: 07.0435.130 DATE: 03/31/09

F.A.S.	SECTION	COUNTY	TOTAL SHEETS	SHEET NO.
340	09-00107-00-BR	FORD	32	25
CONTRACT NO. 87411				
FED. ROAD DIST. NO. ILLINOIS FED. AID PROJECT				