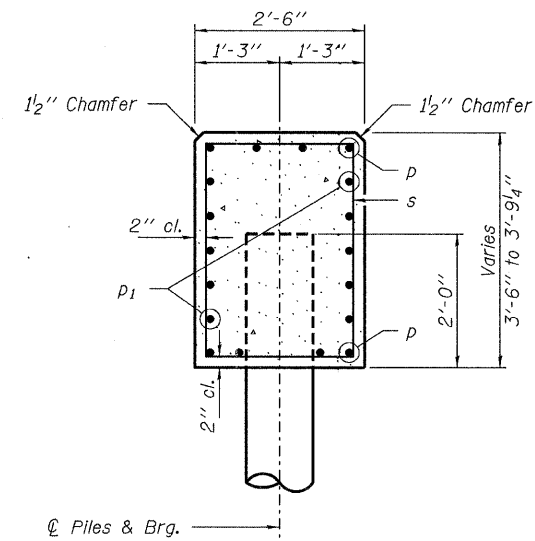
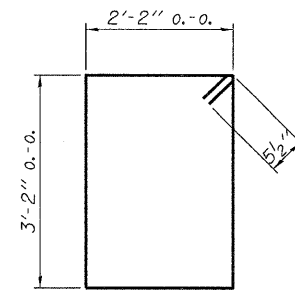


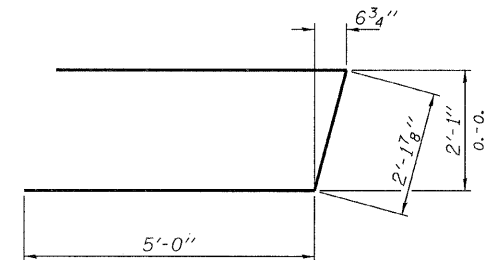
PLAN



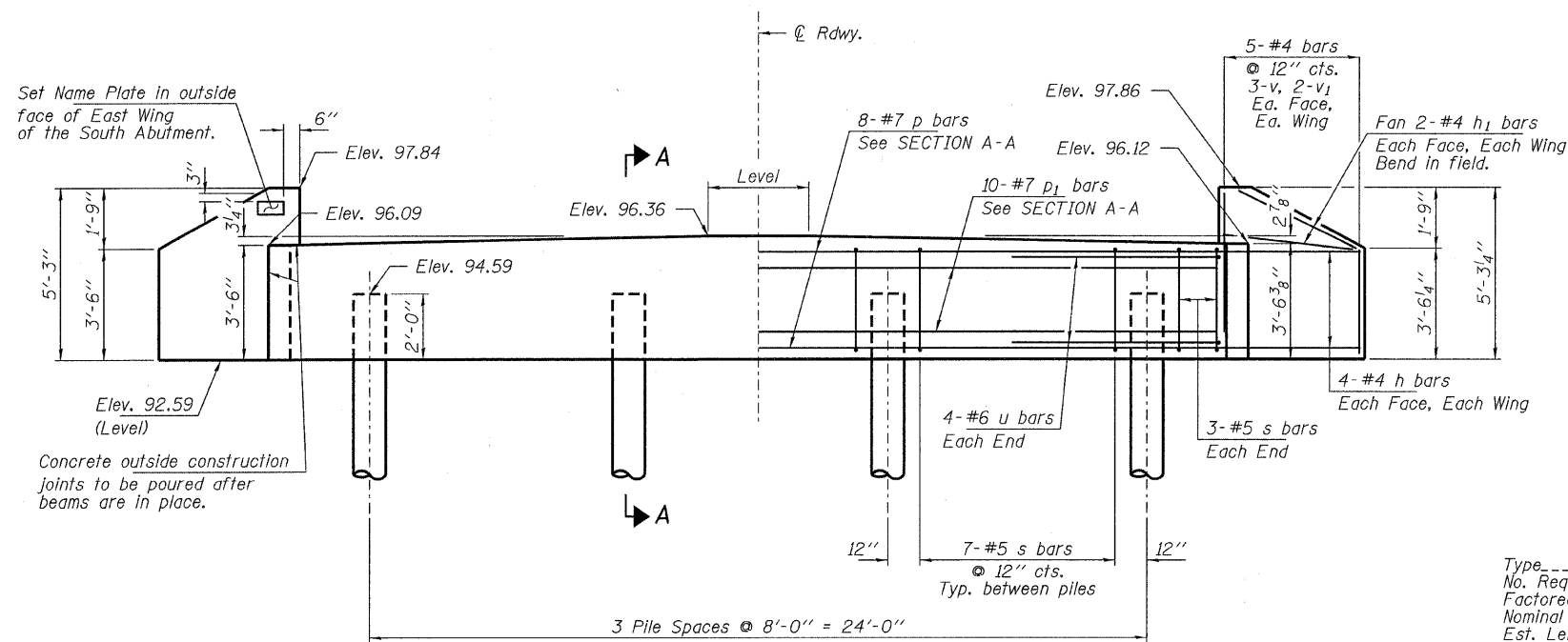
SECTION A-A



BAR s



BAR u



PILE DATA

Type: Metal Shell, 12", dia. x 0.25 in. walls
 No. Req'd. (2 Abuts.): 4
 Factored Resistance Available (Rf): 152 Kips/Pile
 Nominal Required Bearing (Rn): 304 Kips/Pile
 Est. Length: 40 Ft/Pile

Notes: The Metal Shell Piles shall be according to ASTM A 252 Grade 3.

BILL OF MATERIAL - S. ABUT.

BAR	NO.	SIZE	LENGTH	SHAPE
h	16	#4	5'-9"	—
h1	8	#4	4'-3"	—
p	8	#7	29'-3"	—
p1	10	#4	29'-3"	—
s	27	#5	11'-7"	□
u	8	#6	12'-2"	—
v	12	#4	4'-4"	—
v1	8	#4	3'-4"	—
Concrete Structures			Cu. Yd.	11.2
Reinforcement Bars			Pound	1,280
Metal Pile Shells 12"			Foot	160
Name Plates			Each	1

DESIGNED - A.S.L.
CHECKED - M.G.B.
DRAWN - D.A.B.
CHECKED - D.T.M.

**SOUTH ABUTMENT
STRUCTURE NO. 027-3439**

HAMPTON, LENZINI & RENWICK, INC.
 CIVIL & STRUCTURAL ENGINEERS
 LAND SURVEYORS
 3085 STEVENSON DRIVE, SUITE 201
 SPRINGFIELD, ILLINOIS 62703
 (217) 546-3400
 PROJECT NUMBER: 07.0435.130 DATE: 03/31/09

F.A.S.	SECTION	COUNTY	TOTAL SHEETS	SHEET NO.
340	09-00107-00-BR	FORD	32	28
CONTRACT NO. 87411				
FED. ROAD DIST. NO. ILLINOIS FED. AID PROJECT				