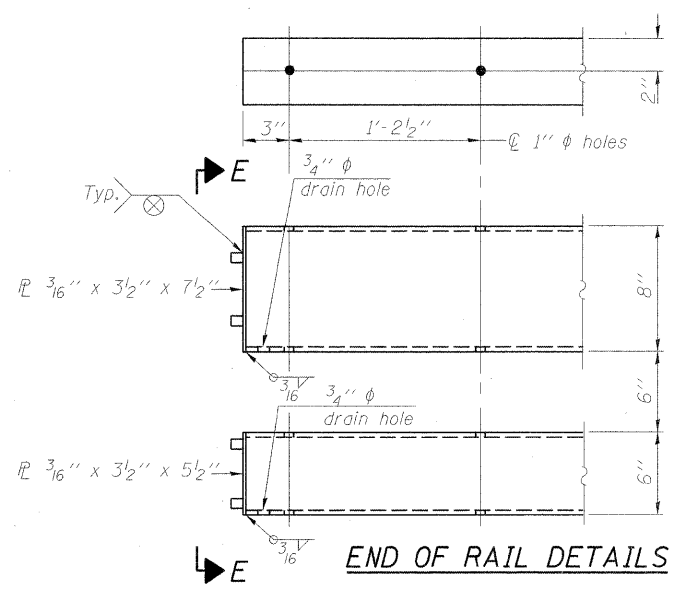
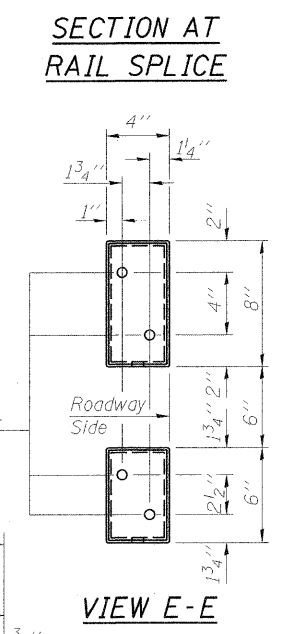
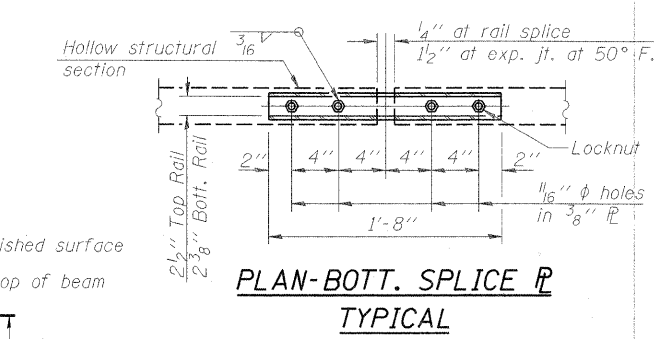
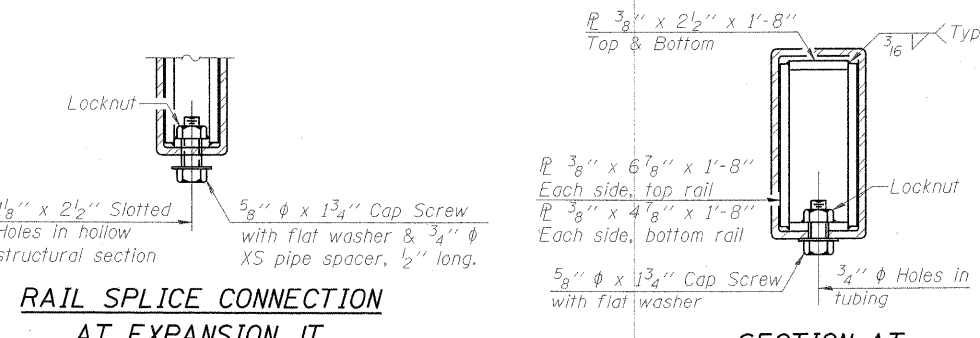
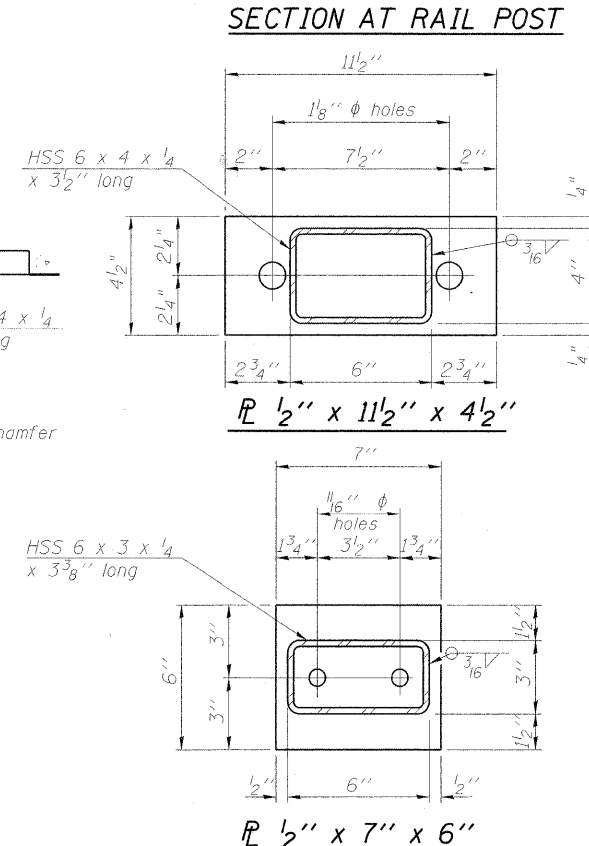
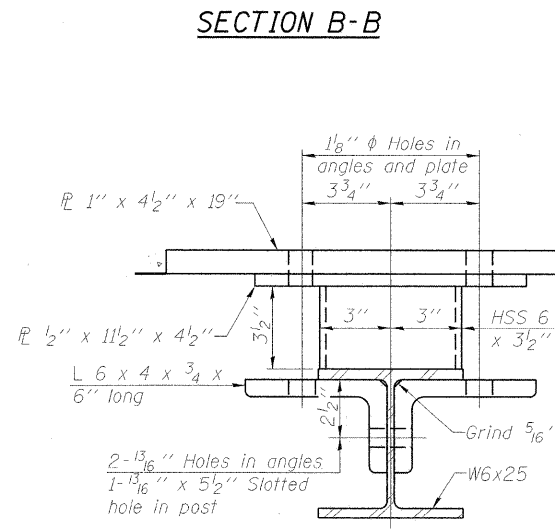
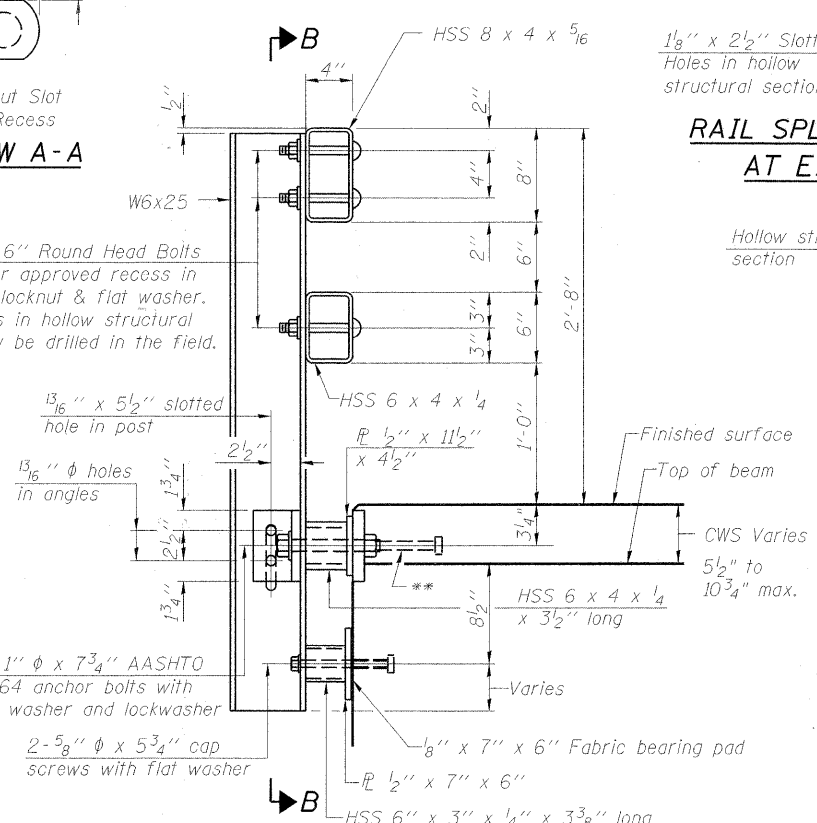


4-3/4" ϕ x 6" Round Head Bolts (With slot or approved recess in head) with locknut & flat washer. 7/8" ϕ holes in hollow structural section may be drilled in the field.



Notes:

All field drilled holes shall be coated with an approved zinc rich paint before erection.

For multi-span bridges, sufficient 1/4" x 6" x 1'-2" galvanized steel shims shall be provided to align rail between adjacent spans. Cost included with Steel Railing, Type SM Special.

Steel rail elements shall be galvanized according to Article 509.05 of the Standard Specifications.

**The studs of the anchor devices shall be placed below the top reinforcement bars and the outermost longitudinal reinforcement bar shall be placed directly above the studs of the rail post anchor device.

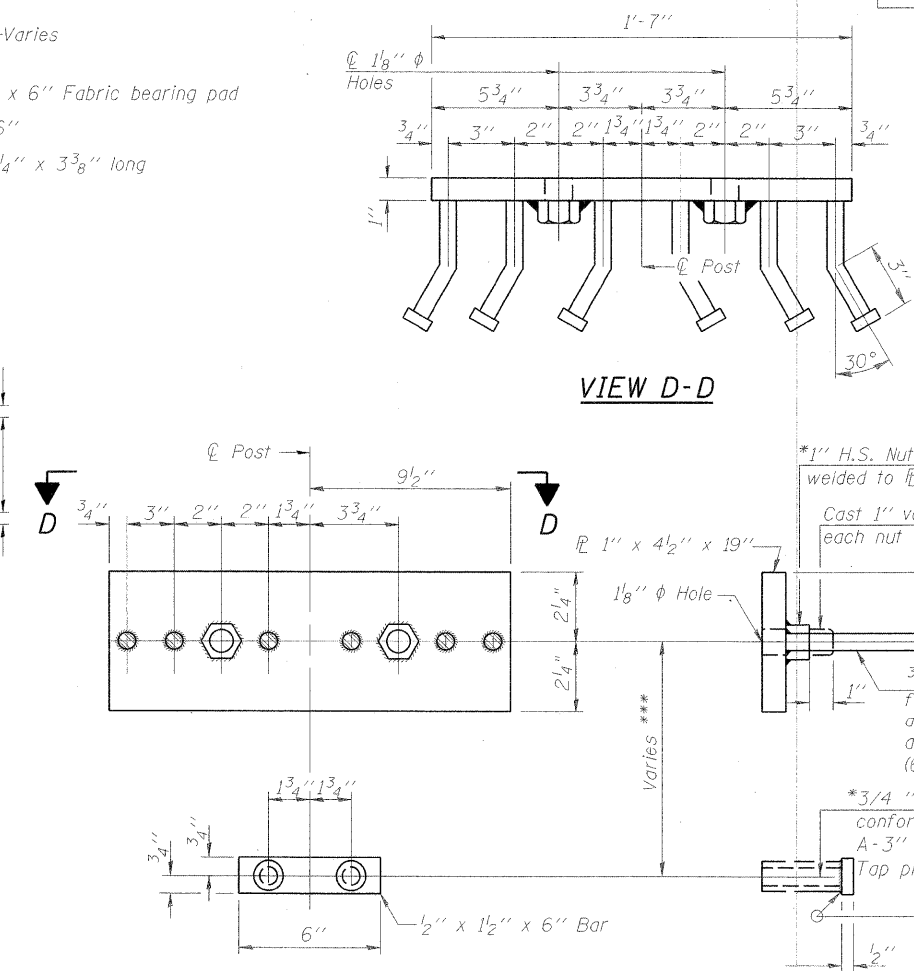
***All rail posts shall be 4'-6" long. See table below for dimension "A" from bottom of rail post to ϕ of slotted hole in flange. See Sheet 3 of 11 for rail post locations.

RAIL POST TABLE

Rail Post Location	Dimension "A"
A, BB	3"
B, C, Z, AA	5"
D, E, M, N, O, P, X, Y	6 5/8"
F, G, H, I, J, K, L, Q, R, S, T, U, V, W	8"

BILL OF MATERIAL

Item	Unit	Quantity
Steel Railing, Type SM (Special)	Foot	164



*Threaded areas shall be plugged or blocked off during casting of beam. Galvanized after fabrication.

STEEL RAILING, TYPE SM (SPECIAL) WITH CONCRETE WEARING SURFACE

TODD SCHOOL ROAD BRIDGE OVER BRANCH OF COPPERAS CREEK CH D56

SEC. 08-00041-02-BR PEORIA COUNTY, ILLINOIS STATION 37+55 STRUCTURE NO. 072-3144

Corporate License Number 184-001-084
© Copyright Hanson Professional Services Inc. 2009

HANSON

DATE: 5/21/09

CH	SECTION	COUNTY	TOTAL SHEETS	SHEET NO.
D56	08-00041-02-BR	PEORIA	25	15
11 SHEETS			CONTRACT NO. 89479	

FED. ROAD DIST. NO. 2 ILLINOIS FED. AID PROJECT

05/21/2009
 I:\06\Jobs\08\007\NC\ADD\Struc\Steel\Sheet\007-steel rail.dgn
 LAYOUT: JKR 01/14/09
 DRAWN: MGM 05/21/09
 REVIEWED: SAK 05/21/09