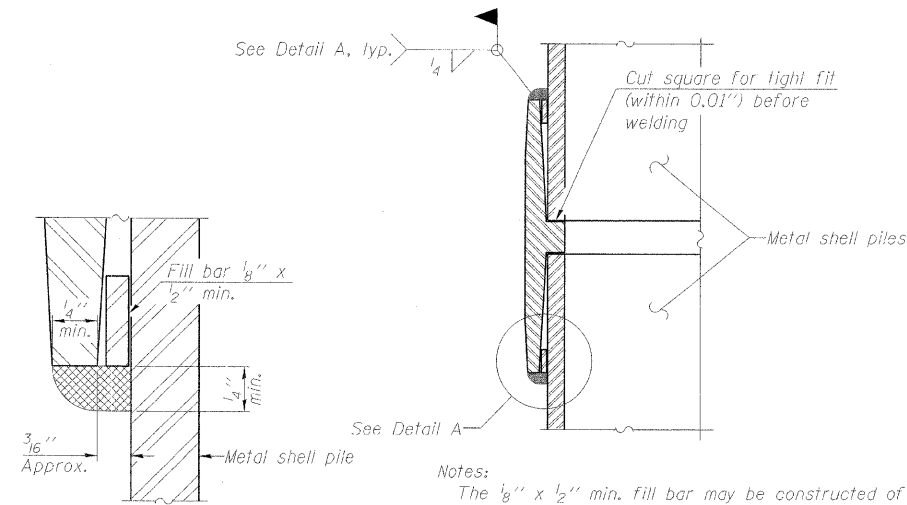


METAL SHELL PILE TABLE

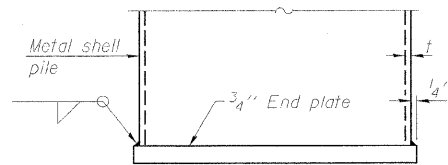
Designation and outside diameter	Wall thickness t	Weight per Foot (Lbs./ft.)	Inside volume (yd. ³ /ft.)
PP12	0.179"	22.60	0.0274
PP12	0.250"	31.37	0.0267
PP14	0.250"	36.71	0.0368
PP14	0.312"	45.61	0.0361



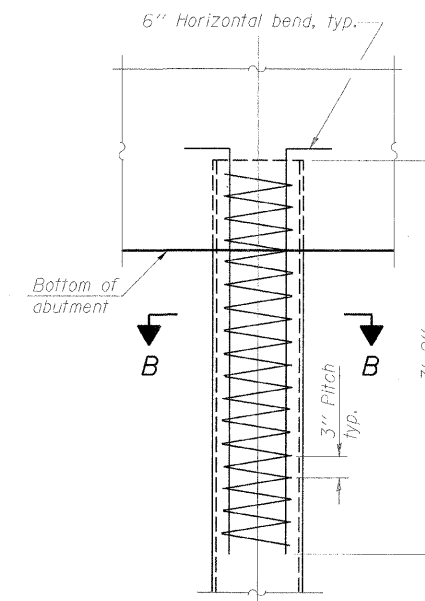
DETAIL A

Notes:
 The 1/8" x 1/2" min. fill bar may be constructed of 2 bars with a 1/8" max. gap between them.
 Pile segments shall be driven to solid contact with splicer before welding.

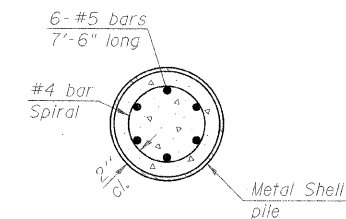
WELDED COMMERCIAL SPLICE



END PLATE ATTACHMENT



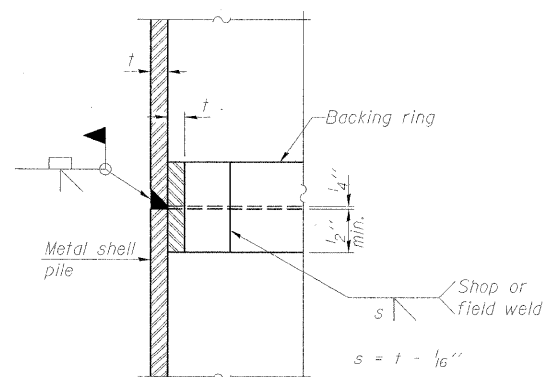
ELEVATION



SECTION B-B

METAL SHELL REINFORCEMENT AT ABUTMENTS

Cost incidental to Furnishing Metal Shell Piles.



COMPLETE PENETRATION WELD SPLICE

Backing ring made from pile shell. Remove segment to allow reducing circumference and vertically rejoin with partial joint penetration weld.

Note:
 The metal shell piles shall be according to ASTM A 252 Grade 3.

METAL SHELL PILE DETAILS

TODD SCHOOL ROAD BRIDGE
 OVER BRANCH OF COPPERAS CREEK
 CH D56

SEC. 08-00041-02-BR
 PEORIA COUNTY, ILLINOIS
 STATION 37+55
 STRUCTURE NO. 072-3144

Corporate License Number 184-001-084

08L0071

© Copyright Hanson Professional Services Inc. 2009



SHEET NO. 10 11 SHEETS	CH	SECTION	COUNTY	TOTAL SHEETS	SHEET NO.
	D56	08-00041-02-BR	PEORIA	25	18
				CONTRACT NO. 89479	

FED. ROAD DIST. NO. 2 ILLINOIS FED. AID PROJECT

05/21/2009
 I:\02\08\08\08L0071\CADD\Struct\Steel\00-metal pile.dwg
 01/14/09
 02/06/09
 02/06/09