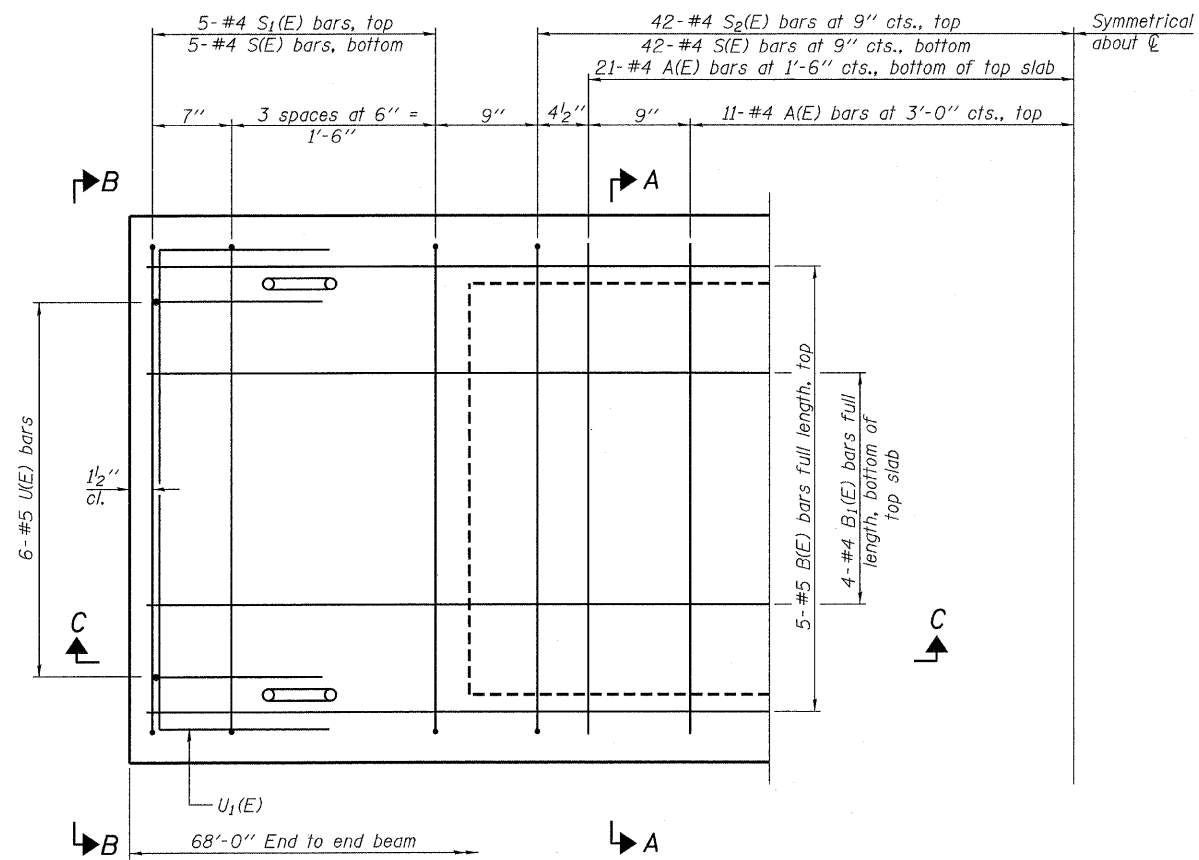
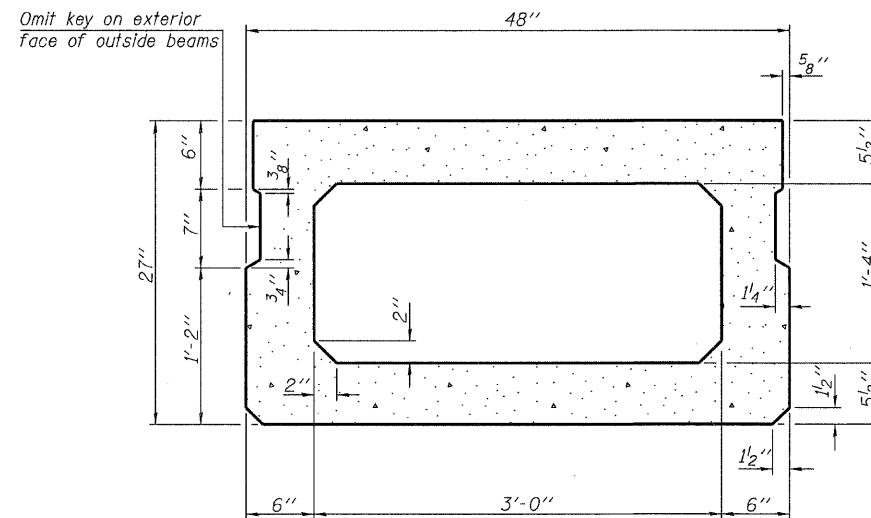


SECTION C-C

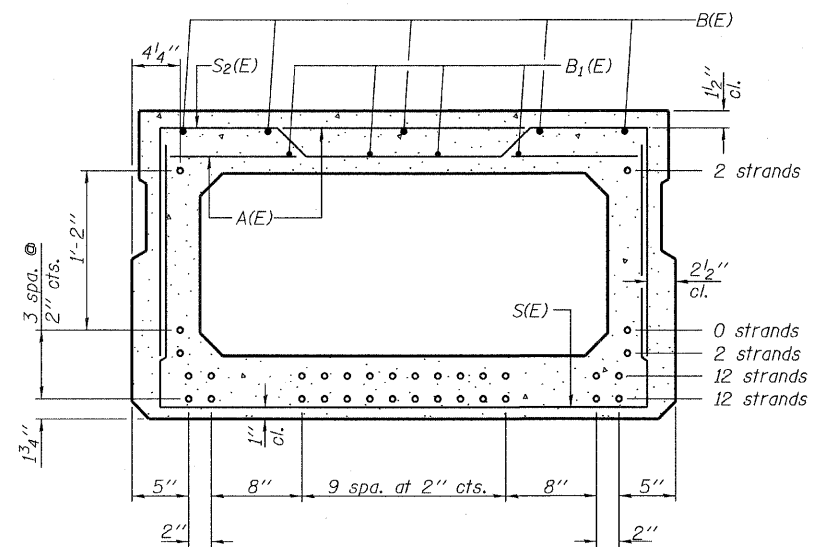


PLAN VIEW

Note: Spacing of S(E) and S₂(E) bars may be adjusted up to 4" in the immediate area of the transverse tie diaphragms to miss the block outs for the transverse ties.

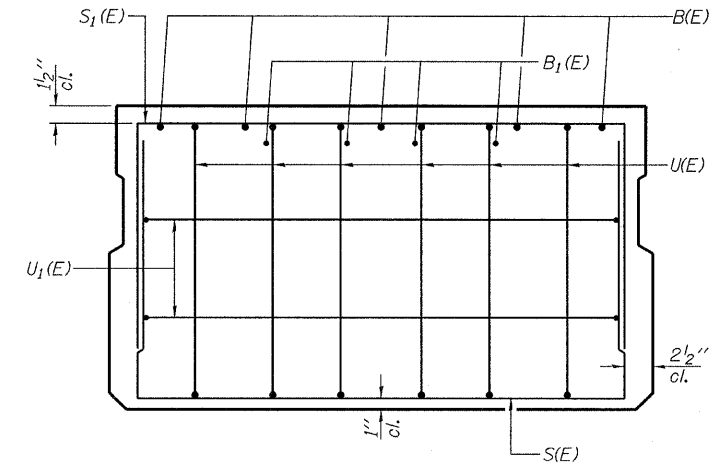


SECTION A-A
(Showing dimensions)



SECTION A-A
(Showing reinforcement and permissible strand locations)

Note: Place the number of strands specified in each row symmetrically about the centerline of beam in the permissible strand locations shown.



VIEW B-B

BAR LIST
ONE BEAM ONLY
(For information only)

Bar	No.	Size	Length	Shape
A(E)	64	#4	3'-7"	—
B(E)	5	#5	67"-8"	—
B ₁ (E)	4	#4	67"-8"	—
S(E)	94	#4	7'-5"	┌
S ₁ (E)	10	#4	6'-11"	┌
S ₂ (E)	84	#4	7'-2"	┌
U(E)	12	#5	4'-6"	┌
U ₁ (E)	4	#4	6'-0"	┌

Note: See sheets 16 & 17 for additional details and Bill of Material.

SUPERSTRUCTURE
27" x 48" PPC DECK BEAM
STRUCTURE NO. 088-3223

DESIGNED - A.S.L.
CHECKED - S.W.M.
DRAWN - D.A.B.
CHECKED - D.T.M.

PD-2748-0

10-1-08

HAMPTON, LENZINI & RENWICK, INC.
CIVIL & STRUCTURAL ENGINEERS
LAND SURVEYORS

HLR 3085 STEVENSON DRIVE, SUITE 201
SPRINGFIELD, ILLINOIS 62703
(217) 546-3400

PROJECT NUMBER: 08.0274.130 DATE: 05/13/09

C.H.	SECTION	COUNTY	TOTAL SHEETS	SHEET NO.
23	08-00158-00-BR	STARK	23	15
CONTRACT NO. 89509				
FED. ROAD DIST. NO.	ILLINOIS	FED. AID PROJECT		