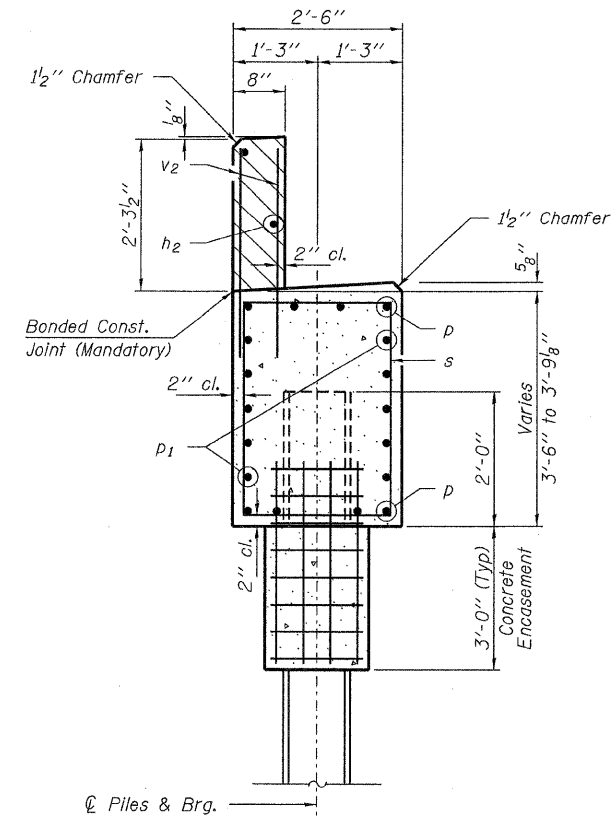
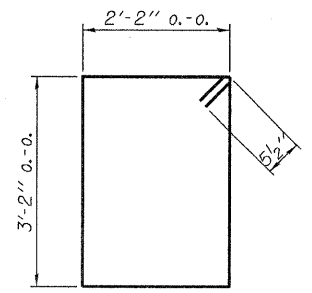


**PLAN**

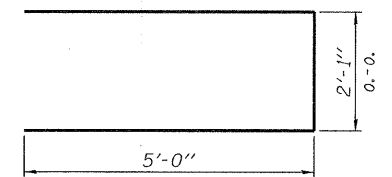


**SECTION A-A**

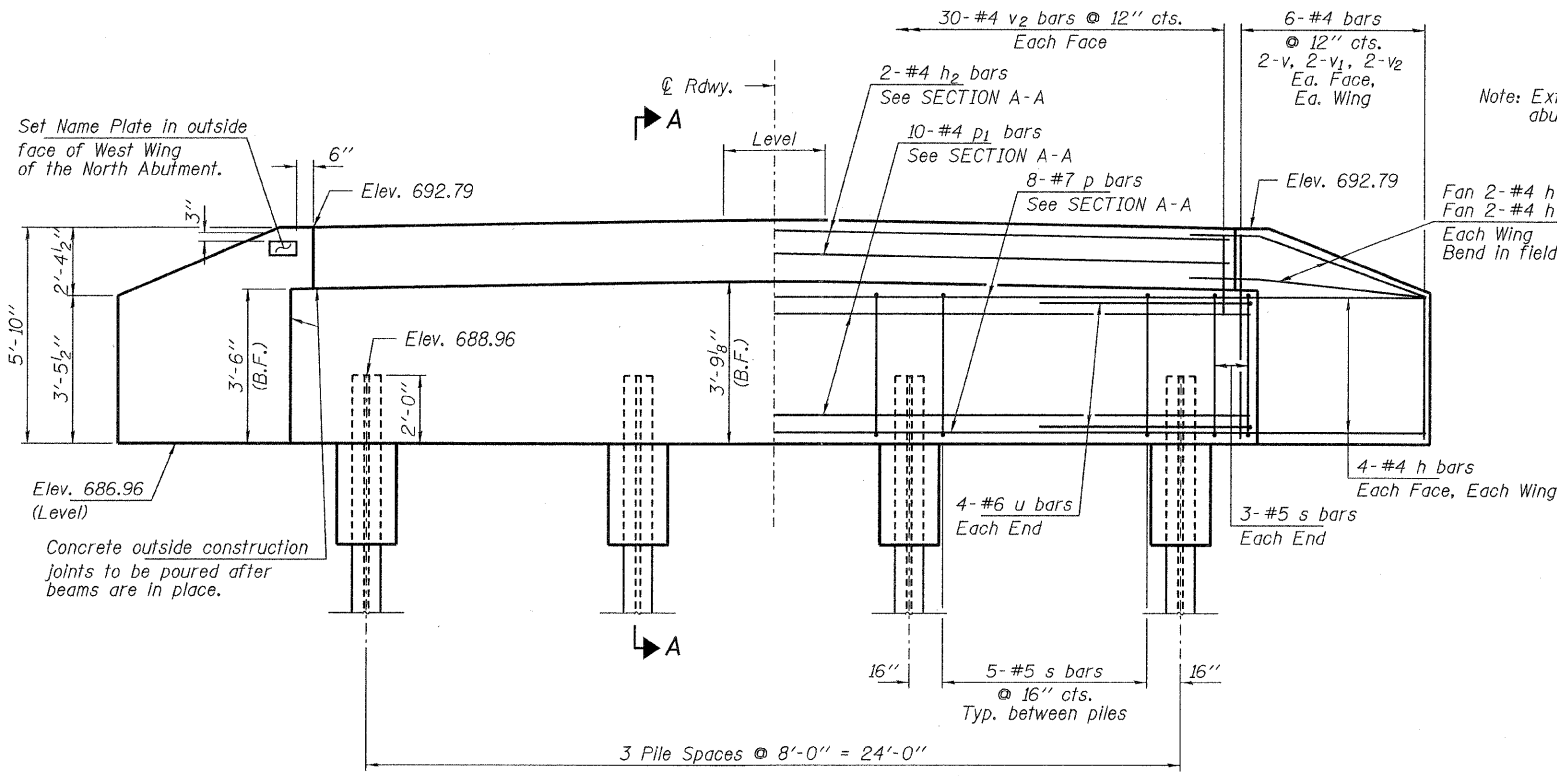
Hatched area to be poured after beams are in place.



**BAR s**



**BAR u**



**ELEVATION**

(Looking North)

Note: Extend h bars into abutment cap.

Fan 2-#4 h bars (B.F.)  
Fan 2-#4 h1 bars (F.F.)  
Each Wing  
Bend in field.

**PILE DATA**

Type: Steel HP12x53  
No. Req'd. (N Abut.): 4  
Factored Resistance Available (Rf): 209 Kips/Pile  
Nominal Required Bearing (Rn): 419 Kips/Pile  
Est. Length: 25 Ft/Pile

Notes: The Steel H-Piles shall be according to AASHTO M270 Grade 50.

**BILL OF MATERIAL - N. ABUT.**

BAR	NO.	SIZE	LENGTH	SHAPE
h	20	#4	7'-0"	—
h1	4	#4	5'-6"	—
h2	2	#4	29'-2"	—
p	8	#7	29'-2"	—
p1	10	#4	29'-2"	—
s	21	#5	11'-7"	□
u	8	#6	12'-1"	—
v	8	#4	5'-2"	—
v1	8	#4	4'-2"	—
v2	68	#4	3'-2"	—
Concrete Structures			Cu. Yd.	13.5
Concrete Encasement			Cu. Yd.	1.4
Reinforcement Bars			Pound	1,410
Steel Piles HP12x53			Foot	100
Name Plates			Each	1

DESIGNED - A.S.L.
CHECKED - S.W.M.
DRAWN - D.A.B.
CHECKED - D.T.M.

**NORTH ABUTMENT  
STRUCTURE NO. 088-3223**

**HAMPTON, LENZINI & RENWICK, INC.**  
CIVIL & STRUCTURAL ENGINEERS  
LAND SURVEYORS  
**HLR**  
3085 STEVENSON DRIVE, SUITE 201  
SPRINGFIELD, ILLINOIS 62703  
(217) 546-3400

C.H.	SECTION	COUNTY	TOTAL SHEETS	SHEET NO.
23	08-00158-00-BR	STARK	23	19
CONTRACT NO. 89509				
FED. ROAD DIST. NO.		ILLINOIS FED. AID PROJECT		

Ahead