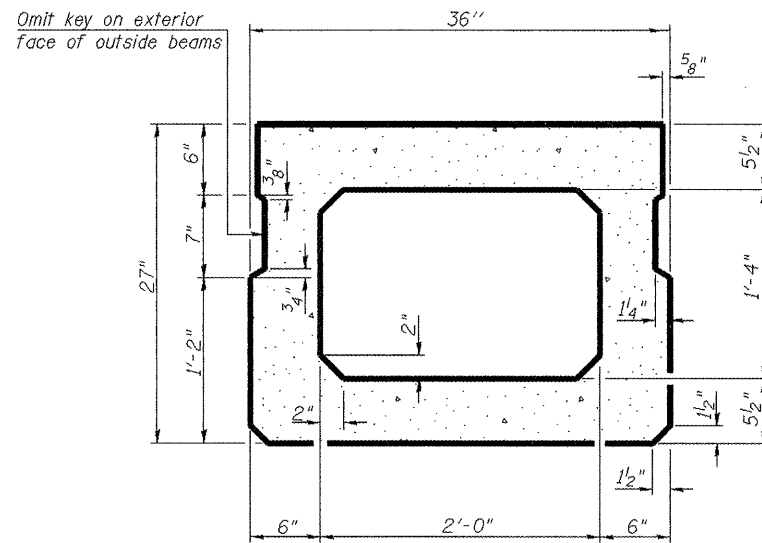
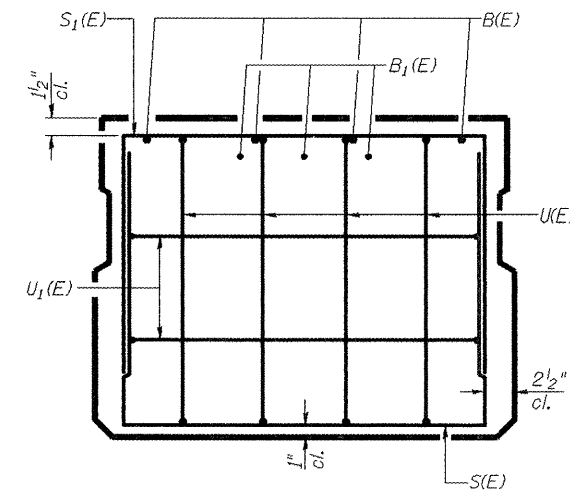


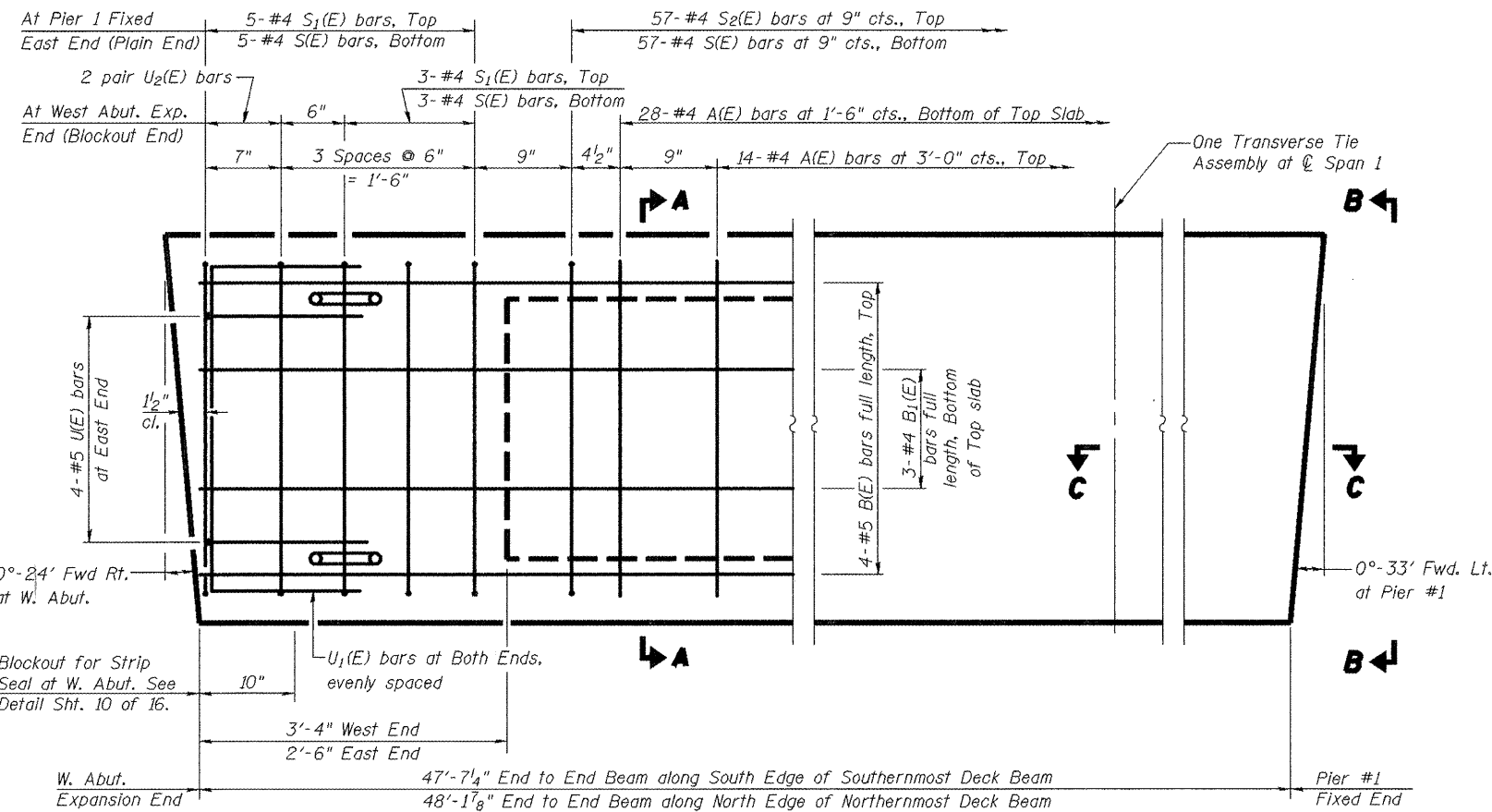
SECTION C-C
(At Pier #1 Fixed East End)



SECTION A-A
(Showing dimensions)

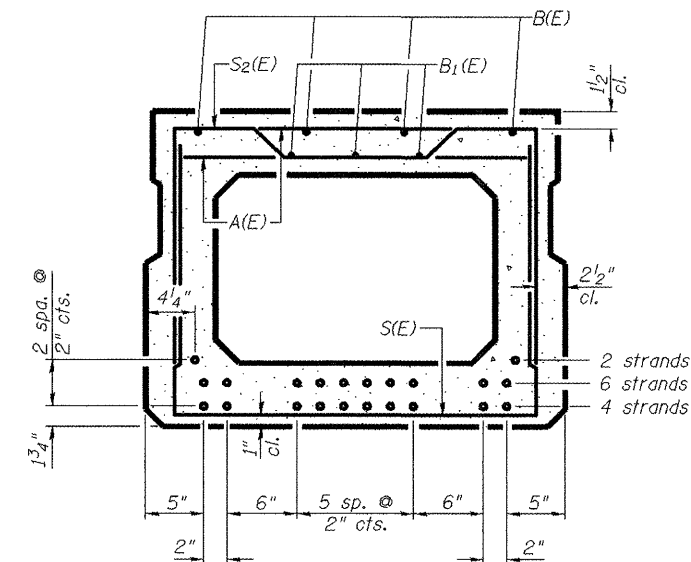


VIEW B-B
(At East End)



PLAN VIEW

Note: Spacing of S(E) and S2(E) bars may be adjusted up to 4" in the immediate area of the transverse tie diaphragms to miss the block outs for the transverse ties.



SECTION A-A
(Showing reinforcement and permissible strand locations)

Note: Place the number of strands specified in each row symmetrically about the centerline of beam in the permissible strand locations shown. 12 strands (4 @ 1 3/4" up; 6 @ 3 3/4" up; 2 @ 5 3/4" up).

Contractor shall field verify substructure layout prior to ordering beams. Cost included in Construction Layout. Center new deck on centers of existing piers and abutments.

BAR LIST
ONE BEAM ONLY
(For information only)

Bar	No.	Size	Length	Shape
A(E)	42	#4	2'-7"	
B(E)	4	#5	47'-0"	
B1(E)	3	#4	47'-0"	
B3(E)	3	#4	4'-6"	
C(E)	5	#5	2'-11 1/2"	
E(E)	3	#5	2'-6"	
S(E)	65	#4	6'-5"	
S1(E)	8	#4	5'-11"	
S2(E)	57	#4	6'-2"	
U(E)	4	#5	4'-6"	
U1(E)	4	#4	5'-0"	
U2(E)	4	#4	4'-9"	

Note: See Sht. 10 of 16 for additional details and Bill of Material.

* Maximum Length shown; shorten as required to maintain 1/2" end clearance.

SPAN 1
27" X 36" PPC
DECK BEAM DETAILS
SPOON RIVER ROAD
STATION 2+25.00

DESIGNED	PJL
CHECKED	LLV
DRAWN	MGM
CHECKED	PJL

AECOM

111 NE Jefferson Ave.
Peoria, Illinois 61602
Ph: 309.676.8464
Fax: 309.676.5445
IL Design Firm Reg.
No. 194-001518
www.aecom.com

HWY	SECTION	COUNTY	TOTAL SHEETS	SHEET NO.
CH R15	08-00092-01-BR	PEORIA	16	7
STRUCTURE NO. 072-3101				
FED. ROAD DIST. NO. ILLINOIS FED. AID PROJECT BROS-143(050)				