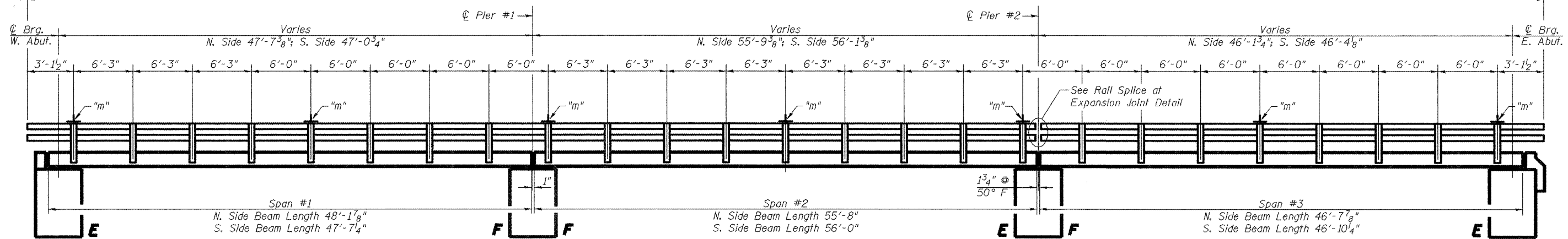


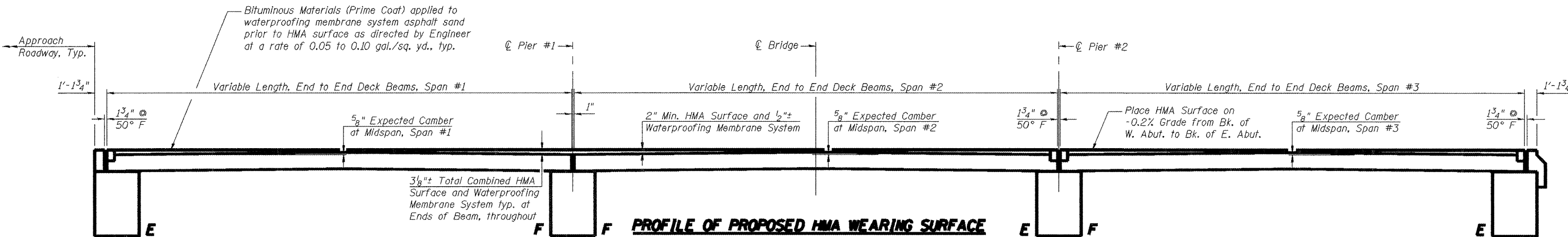
Traffic Barrier Terminal, Type 6A (Typ. Ea. End)

153'-0" Steel Bridge Rail, Type SM. See Sht. 13 of 16.

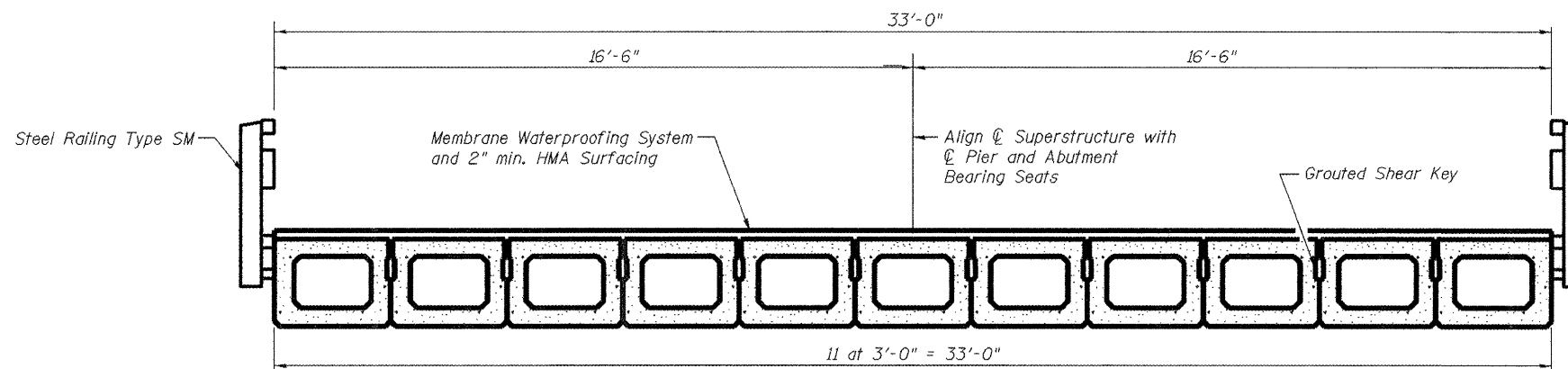


**RAIL POST SPACING DETAIL**

Typ. Both Sides  
 "m" Indicates Monodirectional Prismatic Barrier Reflectors, 7 Each rail (one every 4th post).



**PROFILE OF PROPOSED HMA WEARING SURFACE**



**TYPICAL CROSS SECTION**

**BILL OF MATERIAL**

Item	Unit	Total
Bituminous Materials (Prime Coat)	Gallon	54
Hot-Mix Asphalt Surface Course, Mix "C", N30	Ton	73.3
Monodirectional Prismatic Barrier Reflector	Each	14
Waterproofing Membrane System	Sq. Yd.	539.6
Portland Cement Mortar Fairing Course	Foot	1,482

**SUPERSTRUCTURE DETAILS  
 SPOON RIVER ROAD  
 STATION 2+25.00**

DESIGNED	PJL
CHECKED	LLV
DRAWN	MGM
CHECKED	PJL

**AECOM**  
 111 NE Jefferson Ave.  
 Peoria, Illinois 61602  
 Ph: 309.676.8464  
 Fax: 309.676.5445  
 IL Design Firm Reg. No. 184-001518  
 www.aecom.com

HWY	SECTION	COUNTY	TOTAL SHEETS	SHEET NO.
CH R15	08-00092-01-BR	PEORIA	16	12
STRUCTURE NO. 072-3101				
FED. ROAD DIST. NO. ILLINOIS FED. AID PROJECT BROS-143(050)				