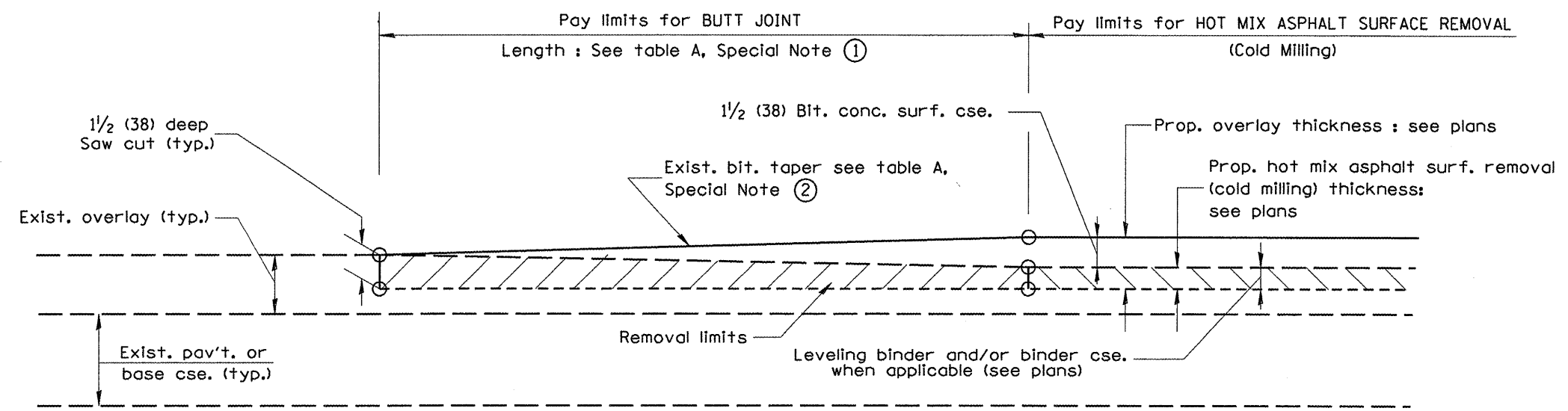
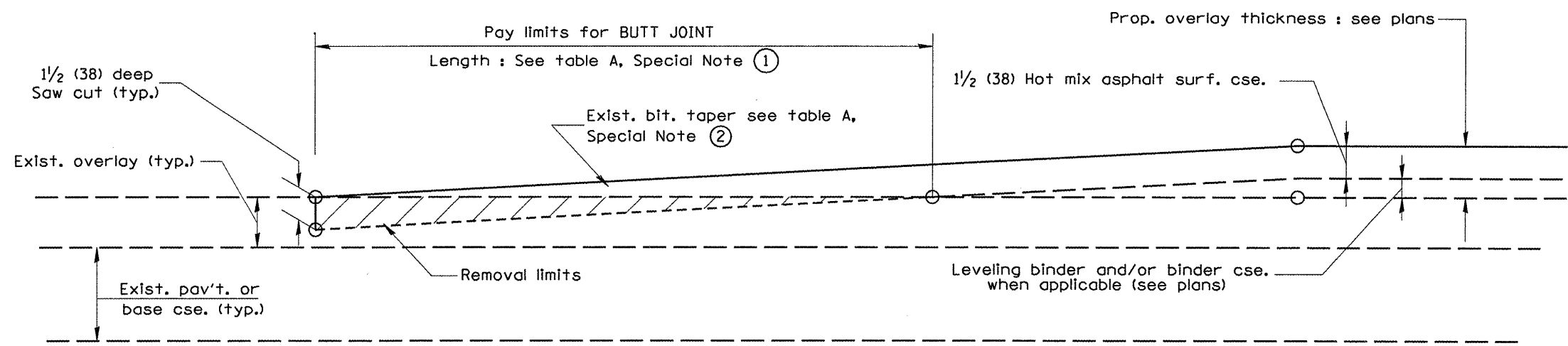


89635 CONTRACT NO.

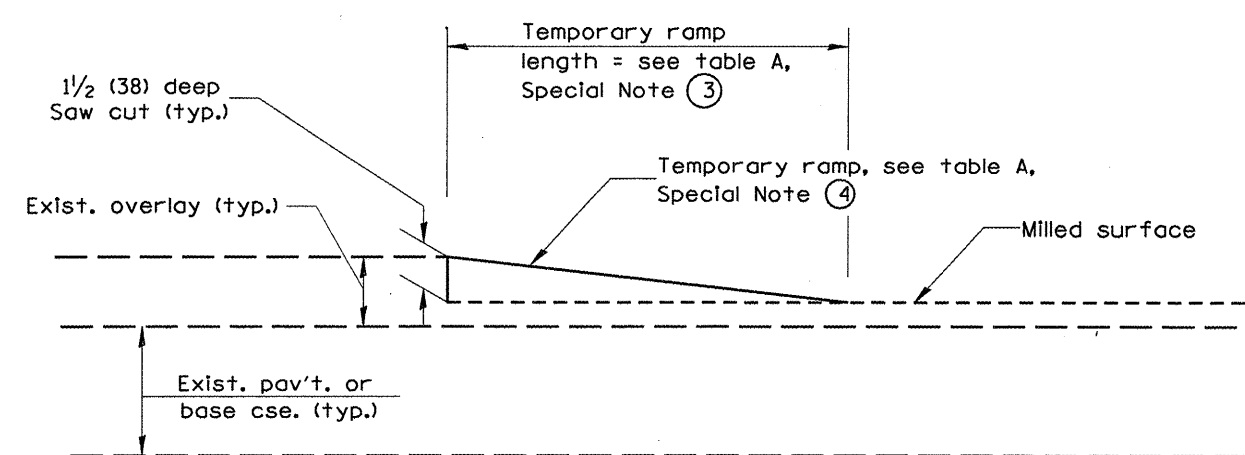
F.A.U. R.T.E.	SECTION	COUNTY	TOTAL SHEETS	SHEET NO.
	09-00080-00-R5	PEORIA	14	13
STA.		TO STA.		
FED. ROAD DIST. NO.		ILLINOIS FED. AID PROJECT		



**CASE 3 : WITH HOT MIX ASPHALT SURFACE REMOVAL (COLD MILLING)  
TIE-IN TO EXISTING BITUMINOUS TAPER**



**CASE 4 : NO HOT MIX ASPHALT SURFACE REMOVAL (COLD MILLING)  
TIE-IN TO EXISTING BITUMINOUS TAPER**



**DETAIL TEMPORARY RAMP**

All dimensions are in inches (millimeters) unless otherwise noted.

ILLINOIS DEPARTMENT OF TRANSPORTATION	
DISTRICT CADD STANDARD	
BUTT JOINTS	
CADD STD NO. 406101-D4	SHEET 2 OF 3
SCALE: NOT DRAWN TO SCALE	DRAWN BY CADD
CHECKED BY	

406101-D4 (2)